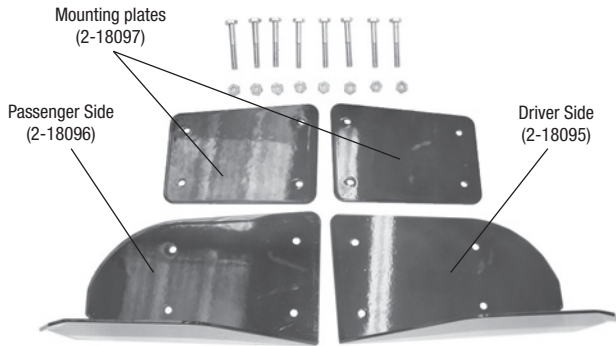


## 4 X 4 CV BOOT GUARD KIT (2-55044)

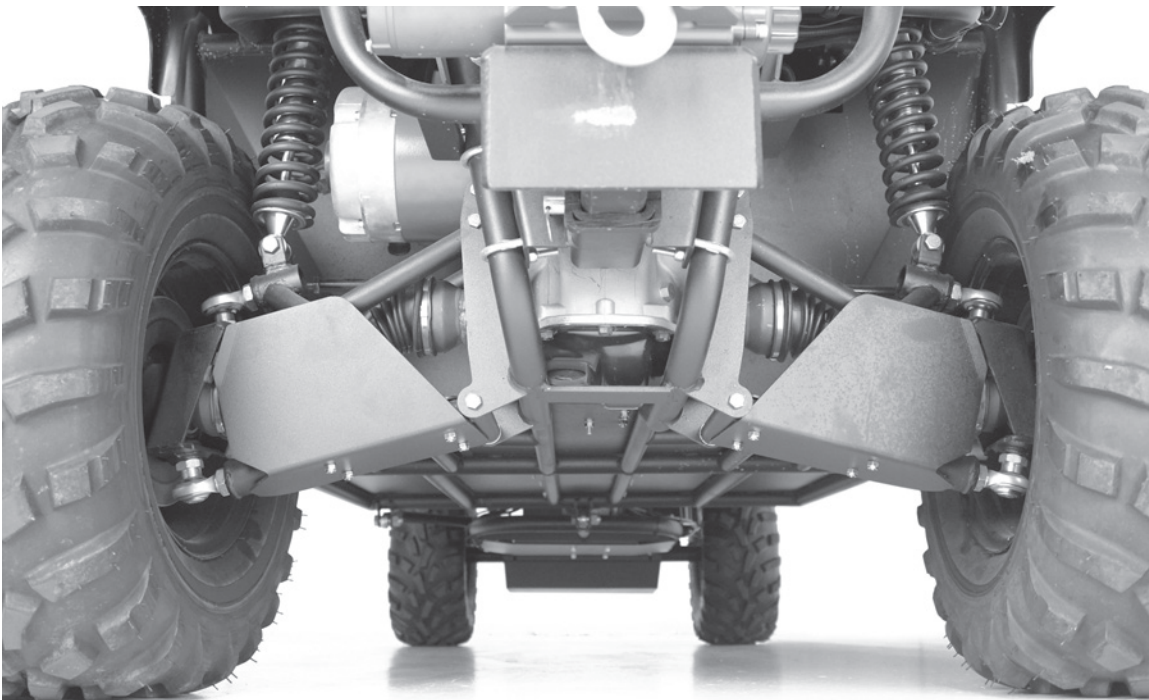
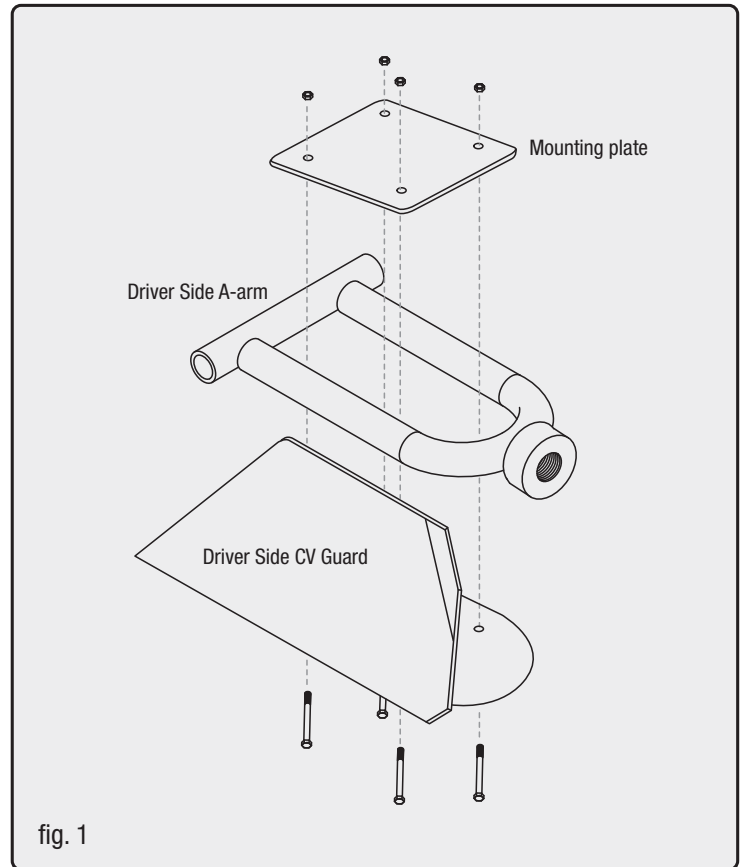
As illustrated below, this kit contains:

Left CV Guard	Qty: 1
Right CV Guard	Qty: 1
Mounting Plates	Qty: 2
.25" x 1.75" Bolts	Qty: 8
.25 Nylock nuts	Qty: 8



### Procedure:

- 1 Place mounting plate on top of A-arm as shown in fig. 1
- 2 Hold guard on bottom of A-arm. Install bolt from the bottom through guard and mounting plate. Start the nylock nuts but **do not tighten**.
- 3 Slide the assembly down the A-arm toward the wheel making sure that the guard is close enough to protect the CV boots but not too close as to interfere with the moving and non-moving steering parts. Tighten the fasteners when CV guard is in an appropriate location.



Finished installed CV guards