

## TAIL LIGHT KIT (15914)

This kit is **ONLY** used on 2014 and newer 200 series LUTVs



As illustrated below, this kit consists of:

- |                     |        |
|---------------------|--------|
| Tail Light Assembly | Qty: 1 |
| Self-tapping screws | Qty: 2 |
| Bracket             | Qty: 1 |
| Bolt M5             | Qty: 2 |
| Nut M5              | Qty: 2 |
| Washer M5           | Qty: 2 |

**TOOLS REQUIRED\***

- Drill & 1/8" Bit
- Phillips Driver Bit



**Procedure:**

- 1 Locate the dimples on the underside of the bed near the center. Drill 1/8" hole in each dimple, being careful not to drill through the top side of the bed.
- 2 Position the tail light so the tail light bracket holes line up with the previously drilled holes in the bed.
- 3 Use the self tapping screws to anchor the tail light bracket to the bed as shown in figure 1.
- 4 Mount the tail light to the bracket using the M5 bolts, nuts and washers.
- 5 Plug the tail light into the matching harness plug near the electrical box under the bed as shown in figure 2.

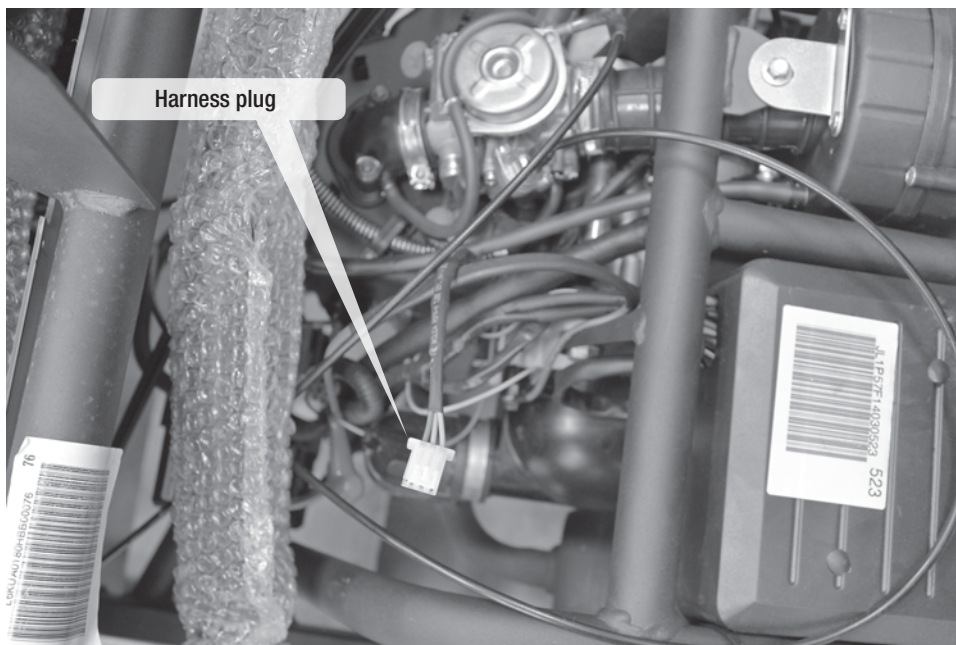
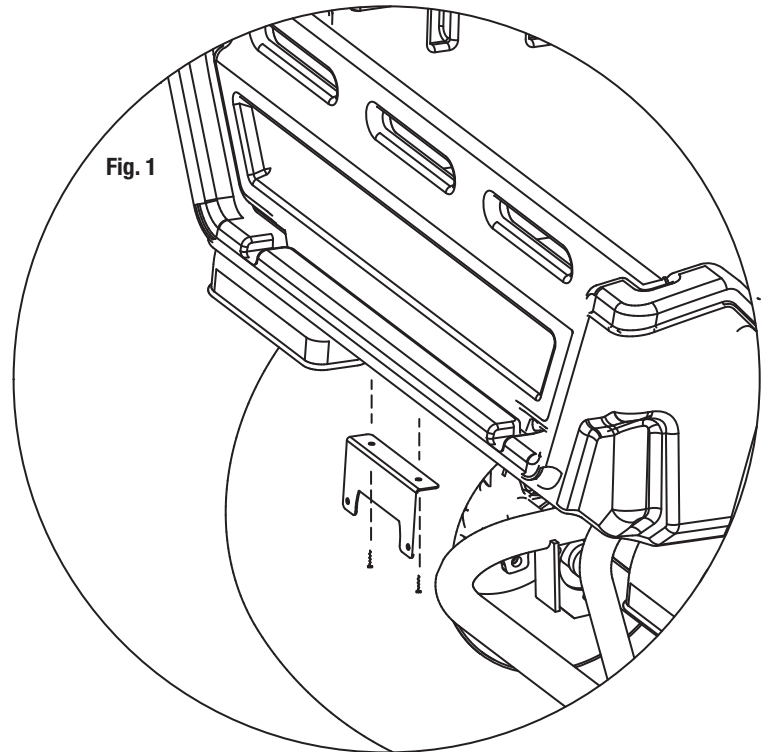


Fig. 2