

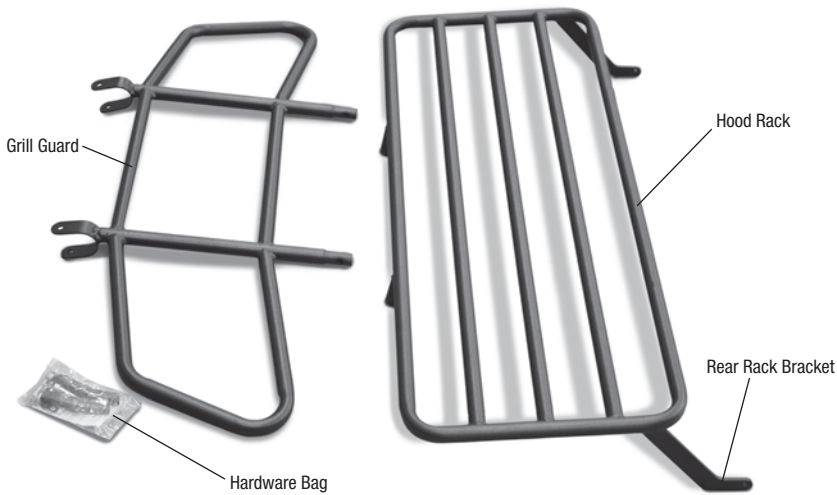
FRONT HOOD RACK FOR FULL SIZE UTVS (2-55093)

As illustrated below, this kit consists of:

Hood Rack	Qty: 1
Grill guard	Qty: 1
5/16 x 2 1/4 Socket Head Bolt	Qty: 2
5/16 x 2 1/2 Hex Head Bolt	Qty: 2
5/16 x 1 1/2 Hex Head Bolt	Qty: 2
5/16 Nylock Nut	Qty: 6
5/16 Flat Washer	Qty: 6
5/16 Curved Washer	Qty: 4

TOOLS REQUIRED

1/4" Allen Wrench
1/2" Wrench



Procedure:

- 1** Remove front cage bolts that hold the hood to the brush bars (see figure 4).
- 2** Place the grill guard on the front bumper as shown in figure 1.
- 3** Insert the two ends on the top of the Grill Guard into the two tubes on the bottom of the Hood Rack as shown in figure 2.
- 4** Attach the rear rack brackets to the cage (brush bars) using the new 5/16 x 2 1/4" socket head bolts, two flat washers and two nuts as shown in figure 4.
- 5** Fasten the Hood Rack to the Grill Guard with two 5/16 x 1 1/2" bolts, four curved washers and two Nylock nuts as shown in figure 2.
- 6** Fasten the Grill Guard to the bumper with two 5/16 x 2 1/2" bolts, four flat washers and two nuts as shown in figure 3.

