



**AMERICAN
SPORTWORKS®**

800-643-7332 • amsportworks.com

BD300A

WITH 265cc SUBARU ENGINE



265CC 2 WHEEL DRIVE UTILITY VEHICLE

ILLUSTRATED PARTS LIST



NOTE:

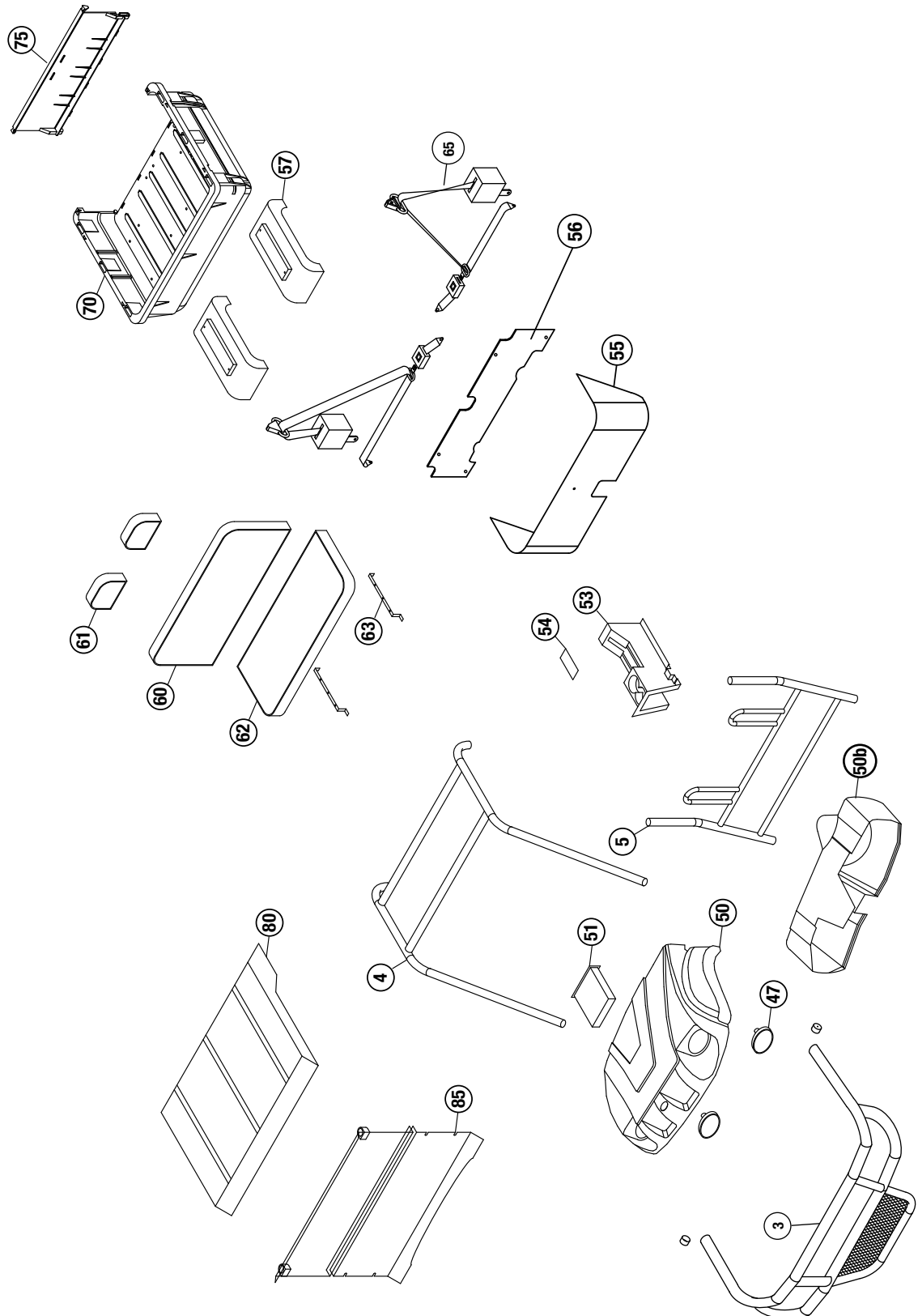
Some part numbers vary by serial number.
The serial number is located on a brass tag
beneath the dump bed on the driver side.



illustrated parts list

BD300 265cc

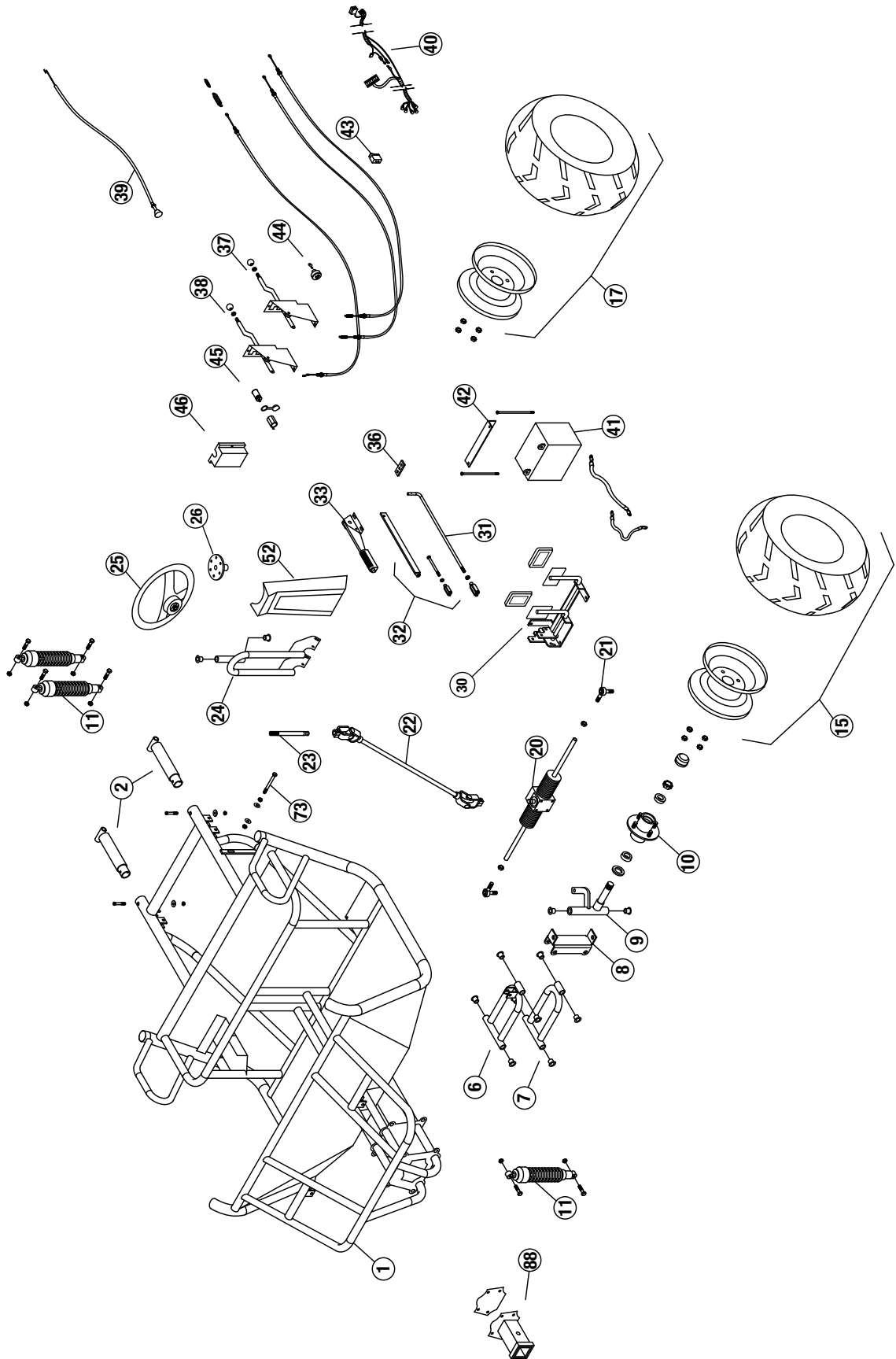
BODY



NOTE: parts denoted as left or right hand are from driver's point of view.



illustrated parts list
BD300 265cc
FRAME

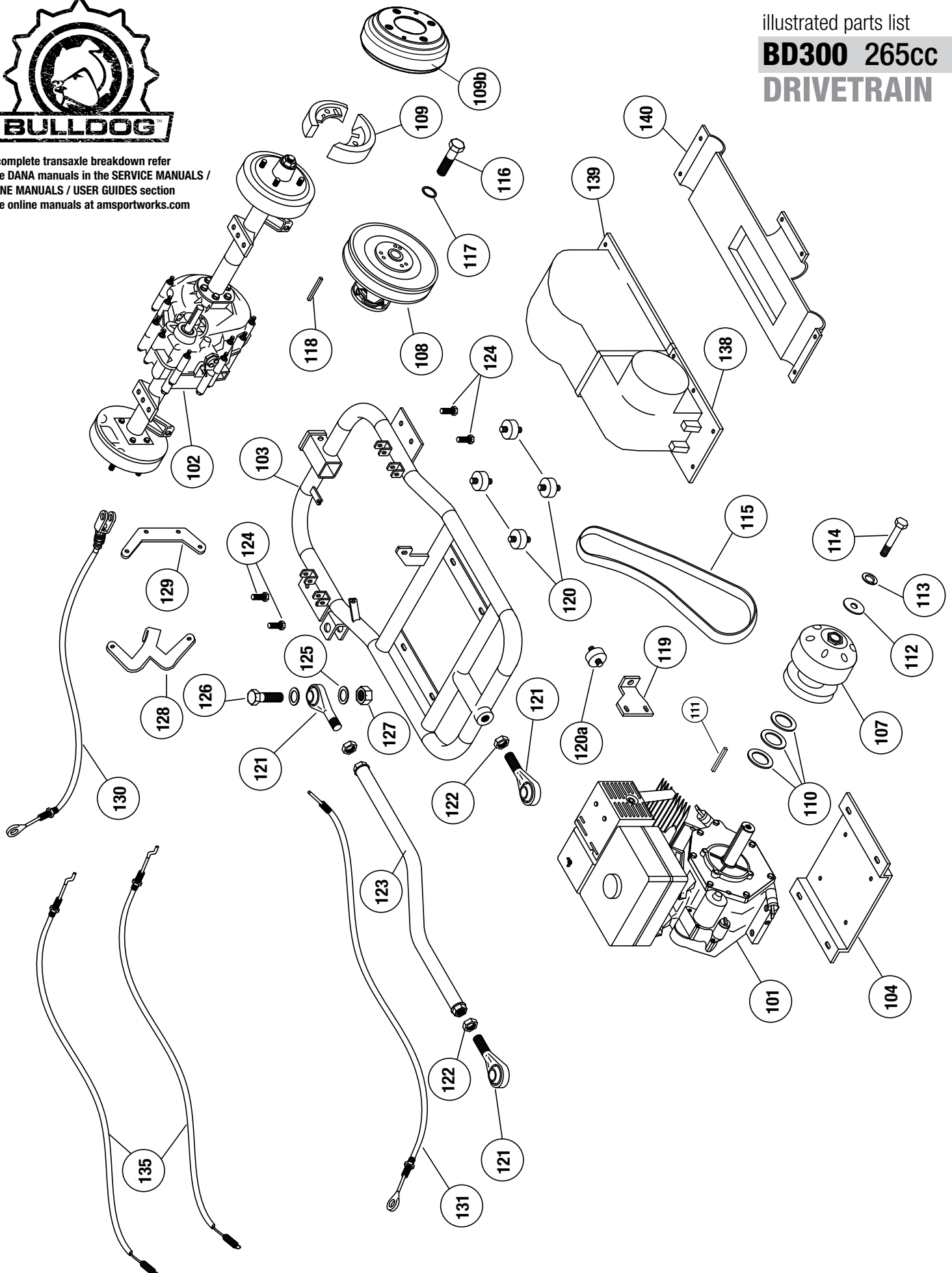


NOTE: parts denoted as left or right hand are from driver's point of view.



For complete transaxle breakdown refer to the DANA manuals in the SERVICE MANUALS / ENGINE MANUALS / USER GUIDES section of the online manuals at amsportworks.com

illustrated parts list
BD300 265cc
DRIVETRAIN



NOTE: parts denoted as left or right hand are from driver's point of view.

REFERENCE NUMBER	PART NUMBER	PART DESCRIPTION	QUANTITY REQUIRED
1	-	Frame, CW11	1
2	2-45401	Rear frame stub, CW - black	2
-	2-50168	5/16 x 2-1/4" USS Socket Head bolt	2
-	2-50007	nut, 5/16 nylock	2
-	2-50702	bent washer 5/16	2
3	2-45466	bumper, BD - black	1
-	2-50167	bolt, 5/16 x 2	4
-	2-50007	nut, 5/16 nylock	4
-	2-50702	bent washer 5/16	4
-	2-70210	Vinyl Caps 1 3/4 x 1 1/2	2
4a	2-45412	Brush Guard roof, CW265 – black	1
4b	2-42300	Brush Guard roof, TW265 – black	
-	2-50168	5/16 x 2-1/4" USS Socket Head bolt	4
-	2-50007	nut, 5/16 nylock	4
-	2-50702	bent washer 5/16	4
5	2-45411	brshgrd seat back, CW – black	1
-	2-50168	5/16 x 2-1/4" USS Socket Head bolt	2
-	2-50007	nut, 5/16 nylock	2
-	2-50702	bent washer 5/16	2
6	16132-2	A-arm upper, CW – black (left or right)	2
-	2-51102	suspension bushings	4 ea
-	2-50097	bolt, 3/8 x 8.5"	1 ea
-	2-50212	Bolt, 3/8 x 3.25 bolt	2 ea
-	2-50010	Nylock Nut 3/8" -16	5 ea
-	2-50225	Bolt, 3/8" x 8"	2 ea
-	2-10048	DOM 3/8" ID x 2.2"	2
-	2-42114	Spacer, 3/8" ID x 6.93"	2 ea
7	16131-2	A-arm Lower, CW – black (left or right)	2
-	2-51102	suspension bushings	4 ea
-	2-50097	bolt, 3/8 x 8.5"	1 ea
-	2-50221	Bolt, 3/8 x 3.25 bolt	2 ea
-	2-10048	DOM 3/8" ID x 2.2"	2
-	2-50010	Nylock Nut 3/8" – 16	5 ea
-	2-50225	Bolt, 3/8" x 8"	2 ea
-	2-42114	Spacer, 3/8" ID x 6.93"	2 ea
8	2-45408	spindle mount, CW – black	2
9a	2-45406	Spindle, left – black	1
9b	2-45407	Spindle, right – black	1
-	2-10049	DOM 3/8" ID x 7.5"	2
-	2-51102	suspension bushings	2 ea
10	2-30604	Hub, 4 bolt high speed 1" Complete with Bearings & Seals	2
-	2-25018	Wheel stud, 1/2 -20 X 1 5/8"	
-	2-11205	bearing, 1" tapered	
-	2-30620	seal	
-	2-30623	Metal Dust Cap (Front Only)	2
-	2-70209	Rubber Dust Cap (Rear Only)	2
-	2-30622	castle nut, 1"	
-	2-30621	cotter pin	
-	2-50060	Lug nuts, 1/2"	
11	2-70301	Shock, Heavy duty, Black/Yellow (Before Serial # 52767)	6

NOTE: parts denoted as left or right hand are from driver's point of view.

REFERENCE NUMBER	PART NUMBER	PART DESCRIPTION	QUANTITY REQUIRED
-	2-70302	Shock, Heavy duty, Black (After Serial # 52767)	
-	2-50400	Bolt, 10 mm x 40mm	12
-	2-50065	Nut, 10mm nylock	12
15L	2-30122-B	Rim/Tire Assembly, Black UTV 22/9-10" Front Left	1
15R	2-30123-B	Rim/Tire Assembly, Black UTV 22/9-10" Front Right	1
17L	2-30124-B	Rim/Tire Assembly, Black UTV 22/11-10" Rear Left	1
17R	2-30125-B	Rim/Tire Assembly, Black UTV 22/11-10" Rear Right	1
20	2-10521	Rack & pinion with rod ends	1
-	2-10593	Rack & Pinion Boots	2
-	N/A	Rack & Pinion Rod – Not available sold as assembly only	
-	2-50171	Bolt, 5/16 x 3 ¾" USS	4
-	2-50005	Nut, 5/16 keps	4
-	2-50063	Nut, ½" SAE nylock	2
21	2-10524	Rod end (use before serial #27213)	2
-	2-10589	Rod end (use after serial #27214)	2
-	2-50078	Nut, ½" SAE jam	2
22	2-10522	Steering Shaft w/u-joints	1
-	2-50402	Bolt, 10mm x 30mm	1
-	2-50066	Nut, 10mm Tri Lock Jam	1
-	2-50403	Bolt, 8mm x 30mm	1
-	2-50780	Lock washer, 8mm	1
23	2-18170	Steering Stub Shaft Assembly, - Black	1
24	2-45400	Steering support, - black	1
-	2-51102	suspension bushings	2 ea
-	2-50152	bolt, 5/16 x 1	4
-	2-50005	Nut, 5/16 keps	4
25	14845	Steering Wheel (used for serial number 48598 and above)	1
-	14846	Center cap (used for serial number 48598 and above)	1
-	2-10508	Center cap (used for serial number 48598 and below)	1
-	2-10509	Steering Wheel (used for serial number 48598 and below)	1
26	2-18169	Steering Washer	1
-	2-50636	bolt, ¼ x ¾ SS Socket Head	6
-	2-50001	nut, ¼ nylock	6
-	2-50098	Tapered Bolt	1
30	2-42106	Pivot Pedal Asm, Black	1
-	2-70261	Pedal cover, rubber	2
-	2-50152	bolt, 5/16 x 1	6
-	2-50081	bolt, ¼ x 1 ¾"	1
-	2-50159	bolt, 5/16 x 1 ½	1
-	2-50005	Nut, 5/16 keps	8
-	2-50701	Washer, 5/16 flat	2
31	2-11181	Brake Rod, with clevis	1
-	2-50215	Bolt, 3/8 x 1 ¼	1
-	2-50010	Nut, 3/8" nylock	1
-	2-50801	cotter pin 1/8" x 1	1
32	2-45417	parking brake bar, CW – black	1
-	2-50806	Clevis, 5/16 rod end	1
-	2-50170	Bolt, 5/16"-24 X 4" SAE	1
-	2-50077	Nut, 5/16" Hex SAE	1
-	2-50087	bolt, ¼" x 1	1

NOTE: parts denoted as left or right hand are from driver's point of view.

REFERENCE NUMBER	PART NUMBER	PART DESCRIPTION	QUANTITY REQUIRED
-	2-50001	nut, ¼" nylock	1
33	2-11127	Parking Brake	1
-	2-50086	Bolt, ¼ x 1 ¼	1
-	2-50001	nut, ¼" nylock	1
-	2-50163	bolt, 5/16 x ¾" NC	4
-	2-50005	Nut, 5/16 keps	4
-	2-50701	Washer, 5/16 flat	4
36	2-45415	Brake equalizer, CW (2 ½") – black	1
-	2-50215	bolt, 3/8 x 1 ¼	2
-	2-50010	nut, 3/8" ny-lock	2
37	2-11085	Shifter control assembly, black (used on units built after 2-1-05)	1
-	2-11083	Knob	1
-	2-11082	Cable, shifter (built after 2-1-05)	2
-	2-11080	Shifter Cable and Shifter Control (used on units built before 2-1-05)	1
-	2-50053	nut, #10-24 Keps nut	2
-	2-50616	screw, #10-24 X ¾" Pan Head Phillips	2
-	2-50770	Washer, #10 flat	2
39	2-11053	Choke Cable	1
40	2-70053	Wire Harness – 265	1
41	2-70000	Battery, U1L-HDJ7-UTV - 360CCA	1
-	2-70002	Battery Cable, Red – 19"	1
-	2-70010	Battery Cable, Black (27")	1
-	2-70009	Battery Terminal Cover	2
-	2-50087	bolt, ¼" x 1	2
-	2-50000	nut, ¼" keps	2
42	2-45414	Battery strap, CW (8 ¾") – black	1
-	2-50083	bolt, ¼ x 7 ½	2
-	2-50002	nut, ¼" wing	2
43	2-70066	Headlight Switch	1
44	2-70052	Key Switch (keys not included) USED ON VEHICLES MANUFACTURED BEFORE SERIAL NUMBER 58843	1
-	2-70060	Key USED ON VEHICLES MANUFACTURED BEFORE SERIAL NUMBER 58843	1
45	2-70080	Accessory Plug	1
-	2-70081	Accessory Plug cap	1
46	2-18500	Terminal Block Cover – plastic	1
-	2-50625	screw, #10-24 X 1" Pan Head Phillips	2
-	2-50053	nut, #10-24 Keps nut	2
47	SEE LAST PAGE FOR HEADLIGHT INFORMATION		
-	2-70055	Switch Headlights	1
50a	2-18295	Hood, plastic Orange CW265	1
-	2-50620	¼" X 1 ¼" Pan Head Phillips Machine screw	2
-	2-50621	¼" X 2" Pan Head Phillips Machine screw	2
-	2-50717	¼" SAE Flat washer	8
-	2-50001	nut, ¼" nylock	4
-	2-50846	Clamp-Tube-vinyl coated 1-1/4"	2
50b	2-18293	UTV Dash CW Black	1
-	2-50817	Push Pin Black Plastic	16
51	2-18309	Glove Box	1
-	2-50624	Screw, #10 x ¾ hex – black	5
52	2-18308	Steering Cover	1
-	2-18317	Steering Cover Bottom	1

NOTE: parts denoted as left or right hand are from driver's point of view.

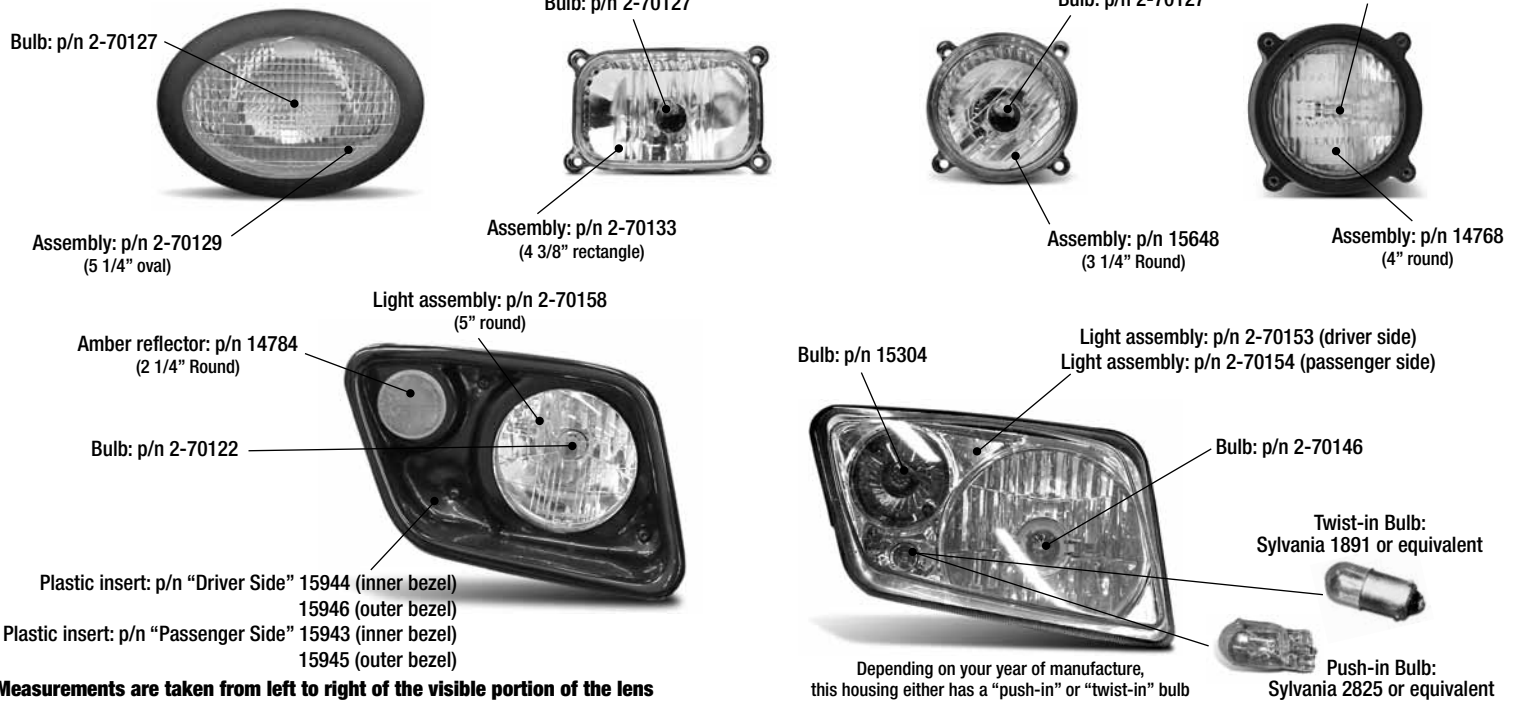
REFERENCE NUMBER	PART NUMBER	PART DESCRIPTION	QUANTITY REQUIRED
-	2-50624	Screw, #10 x 3/4 hex – black	1
53	2-18306	Center Console	1
-	2-50624	Screw, #10 x 3/4 hex – black	14
54	2-18316	Access Cover, Center Console	1
-	2-50624	Screw, #10 x 3/4 hex – black	4
55	2-18305	Plastic, Seat Bottom wrap	1
-	2-50624	Screw, #10 x 3/4 hex – black	5
56	2-55013	Backsplash Kit (includes: two 2-50025 Nylock Nuts (7/16-14) / two 2-50720 SAE Flat Washers 1/2" / Backsplash)	1
57	2-18303	Rear Fender Universal	2
-	2-50001	nut, 1/4 nylock	4
-	2-50091	Bolt, 1/4"-20 X 3/4" Hex Head	4
-	2-50717	1/4" SAE Flat washer	4
-	2-70150	Reflectors	2
60	2-10771	Seat back – BLACK & GREY – 43 1/2 x 17 1/2	1
60	2-10754	Seat back – BLACK – 43 1/2 x 17 1/2	1
-	2-50619	#14 X 1-3/4" Pan head-Tapping screw	6
61	2-10773	Headrest – BLACK & GREY – 9 x 6 1/2	2
61	2-10803	Headrest – BLACK – 9 x 6 1/2	2
-	2-50085	bolt, 1/4 x 1 1/2"	4
62	2-10772	Seat bottom – BLACK & GREY – 43 1/2 x 17 1/2	1
62	2-10755	Seat bottom – BLACK – 43 1/2 x 17 1/2	1
63	2-45416	seat bar, CW (17 1/2") – black	2
-	2-50609	#14 x 3/4 Pan Head Screw	6
65	14786	Seatbelt, retractable without sleeve	2
-	8375	Seatbelt plastic sleeve - 7" length	2
-	2-50025	7/16 Nylock	4
70a	2-45420	Cargo Bed, Red CW265	1
70b	2-45434	Flat Cargo Bed, Black - TW265	1
70c	2-18356	Dump Bed UTV Plastic	1
-	2-50255	5/8 x 4" bolt Zinc plate	2
-	2-50015	5/8 nylock	2
-	2-18413	Bed Bumper 3/8" Rubber	2
73	2-50208	Bed latch bolt, 3/8 x 2 1/2"	1
-	2-50013	nut, 3/8 keps	2
-	2-50740	washer, 3/8 flat	2
75a	2-45421	Tail gate, Red	1
75b	2-18357	Dump Bed Tailgate UTV Plastic	1
-	2-50152	bolt, 5/16 x 1	2
-	2-50701	washer, 5/16 sae	4
-	2-50007	nut, 5/16 nylock	2
-	2-70230	rubber bump stops	4
78	2-50815	1/4" Lynch Pin - tailgate latch	2
101	2-20016	Engine, Subaru 265cc	1
-	2-50202	3/8-16 x 1 3/4" Hex Hd Bolt	4
-	2-50740	3/8" Flat washer, USS	4
102	2-20869	Dana Transaxle – 265 models	1
-	2-70057	Neutral Safety Switch	1
-	2-51500	Shims – Neutral Safety Switch	
103	2-45423	Swing arm, CW - Black	1
104	2-45430	Motor Plate, CW - Black	1

NOTE: parts denoted as left or right hand are from driver's point of view.

REFERENCE NUMBER	PART NUMBER	PART DESCRIPTION	QUANTITY REQUIRED
107	2-20667	TC, Driver Comet	
-	2-20665	TC, Driver CVTECH – used after Serial Number # 42439	1
108	2-20668	TC, Driven Comet	
-	2-20666	TC, Driven CVTECH – used after Serial Number # 42439	1
109	16279	Brake Shoes - Rear UTV – Dana (kit includes 4 shoes to cover both rear wheels)	1
109b	2-11191	Brake Drum Replacement #012WA123	2
110	2-51101	265 Crankshaft Spacer	1
111	2-10190	3/16 x 1/4 x 1-1/2" Keystock (for use with CV Tech driver pulley)	1
112	2-50795	7/16" I.D. Fender Washer	1
113	2-50793	7/16" Lock Washer	1
114	2-50304	7/16 x 5 SAE Bolt	1
115	---->	Belt, CV Tech SERIAL# 42438 AND PRIOR use 2-20693 / SERIAL# 42439 AND AFTER use 2-20694	1
116	2-50239	1/2 x 2" SAE	1
117	2-50722	1/2" Lock Washer	1
-	2-50721	1/2" USS Flat Washer	1
118	2-10191	3/16 x 3/16 x 3-1/4" Keystock (for use with CV Tech driven pulley)	1
119	2-18061	Tension Mount Engine, 265 - Black	1
-	2-50157	5/16x 3/4" Bolt Hex Hd NF	2
-	2-50703	5/16" Lock Washer	2
-	2-50704	5/16" Flatwasher	2
120	2-70251	Rubber Feet (Isolators)* SEE NOTE AT BOTTOM OF PAGE	4
120a	2-70252	Rubber Feet (Isolator)* SEE NOTE AT BOTTOM OF PAGE	1
-	2-50010	3/8 Nylock Nut	10
-	2-50740	3/8 Flatwasher USS	5
121	2-10583	Rod End Sphcl-UTV (4681-MPM-12)	3
122	2-50021	3/4 Jam nut SAE	3
123	2-42093	Panhard bar, CW - black	1
124	2-50206	bolt, 3/8 x 1	4
-	2-50010	3/8" Nylock Nut	4
-	2-50740	3/8" Flatwasher, USS	4
125	2-50730	3/4" Spacer Washer	6
126	2-50280	3/4 x 2.5 SAE bolt	3
127	2-50020	3/4 SAE nylock	3
128	2-18011	Shifter cable mount	
129	2-18012	shifter cable lever,	1
-	2-50084	1/4-20 x 3/4" Hex Hd Bolt	1
-	2-50000	1/4" Keps Nut	1
-	2-50715	1/4" Flatwasher, USS	2
130	2-11103	Brake Cables	2
-	2-50150	5/16-18 x 1" Hex Hd Bolt	2
-	2-50007	5/16" Nylock Nut	2
131	2-11015	Throttle Cable, 265	1
135	2-11082	Cable, shifter	2
138	2-18313	Belt Guard Plastic UTV - Front	1
139	2-18314	Belt Guard Plastic UTV - Rear	1
140	2-18315	Belt Guard Plastic UTV - Bottom	1
-	2-50624	#10 x 3/4" Blunt Point Black	7
-	2-50050	#10 Speed Nut - for Plastic	7
-	2-50770	#10 Flat washer	7

NOTE: parts denoted as left or right hand are from driver's point of view.

HEADLIGHT REPLACEMENT BULBS AND ASSEMBLIES FOR ASW UTILITY VEHICLES



*On single cylinder models, quantity 5 of 2-70250 was replaced by quantity 4 of 2-70251 and 1 of 2-70252 on 6/1/12. The 4 of the 2-70251 go under the engine and the 1 of the 2-70252 goes in the vertical mount.



7625 DiSalle Boulevard
Fort Wayne IN 46825

62194 Commercial Street
Roseland, LA 70456

Toll Free 800-643-7332
Fax 800-399-1399
www.amsportworks.com