



**AMERICAN  
SPORTWORKS®**

800-643-7332 • [amsportworks.com](http://amsportworks.com)

## **LM300**

WITH 277cc KOHLER ENGINE



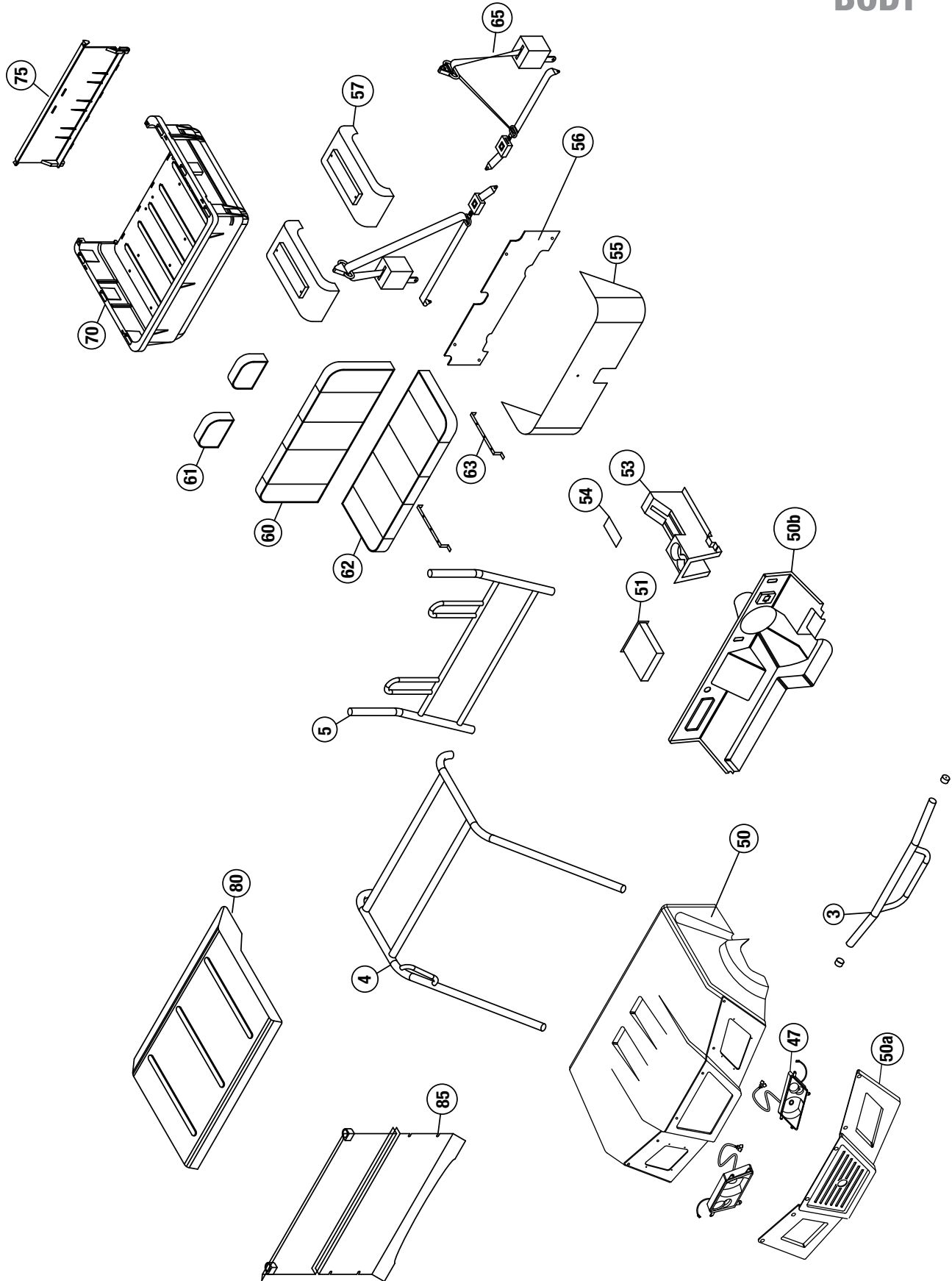
**277CC 2 WHEEL DRIVE UTILITY VEHICLE**

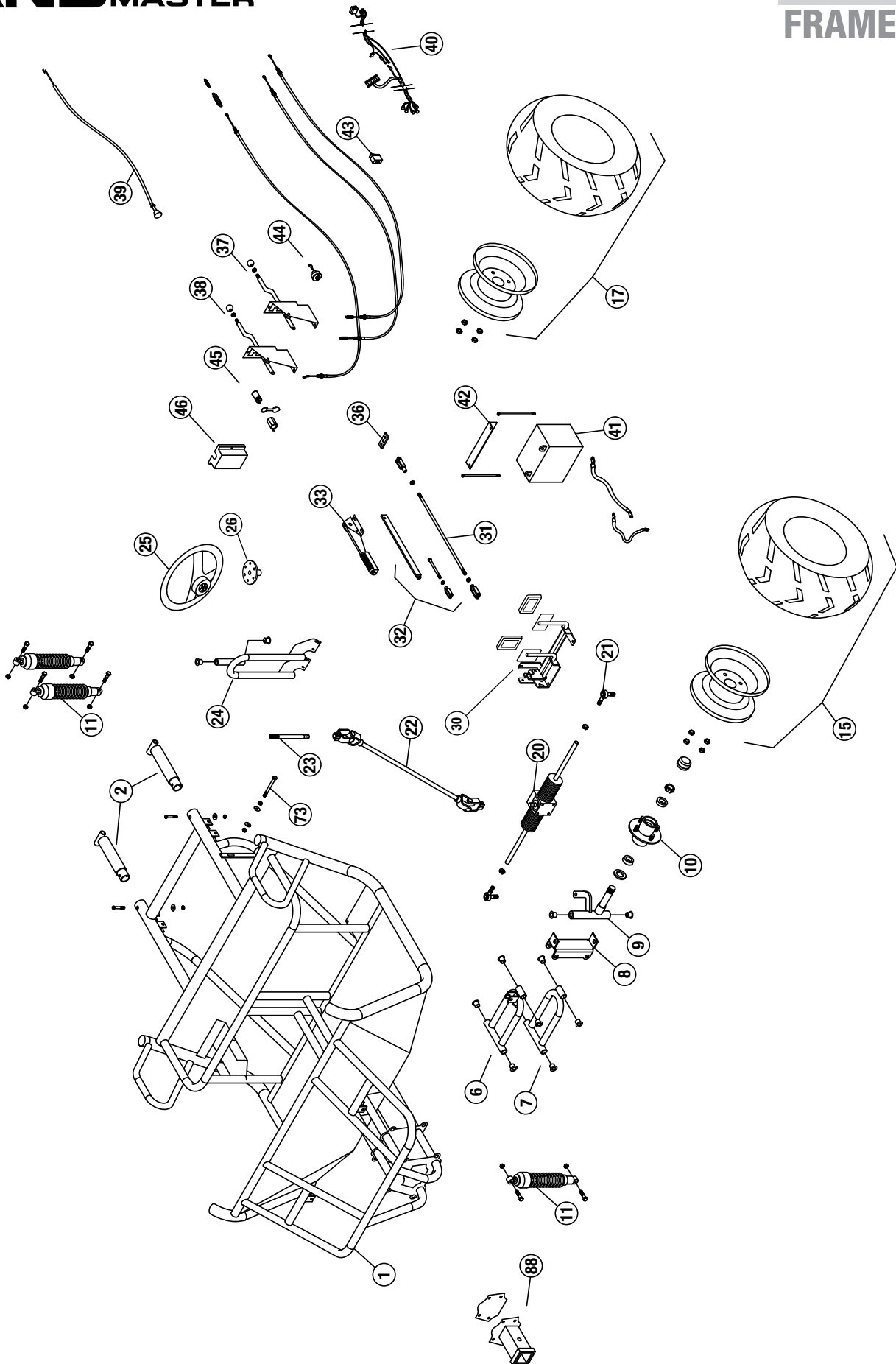
**ILLUSTRATED PARTS LIST**



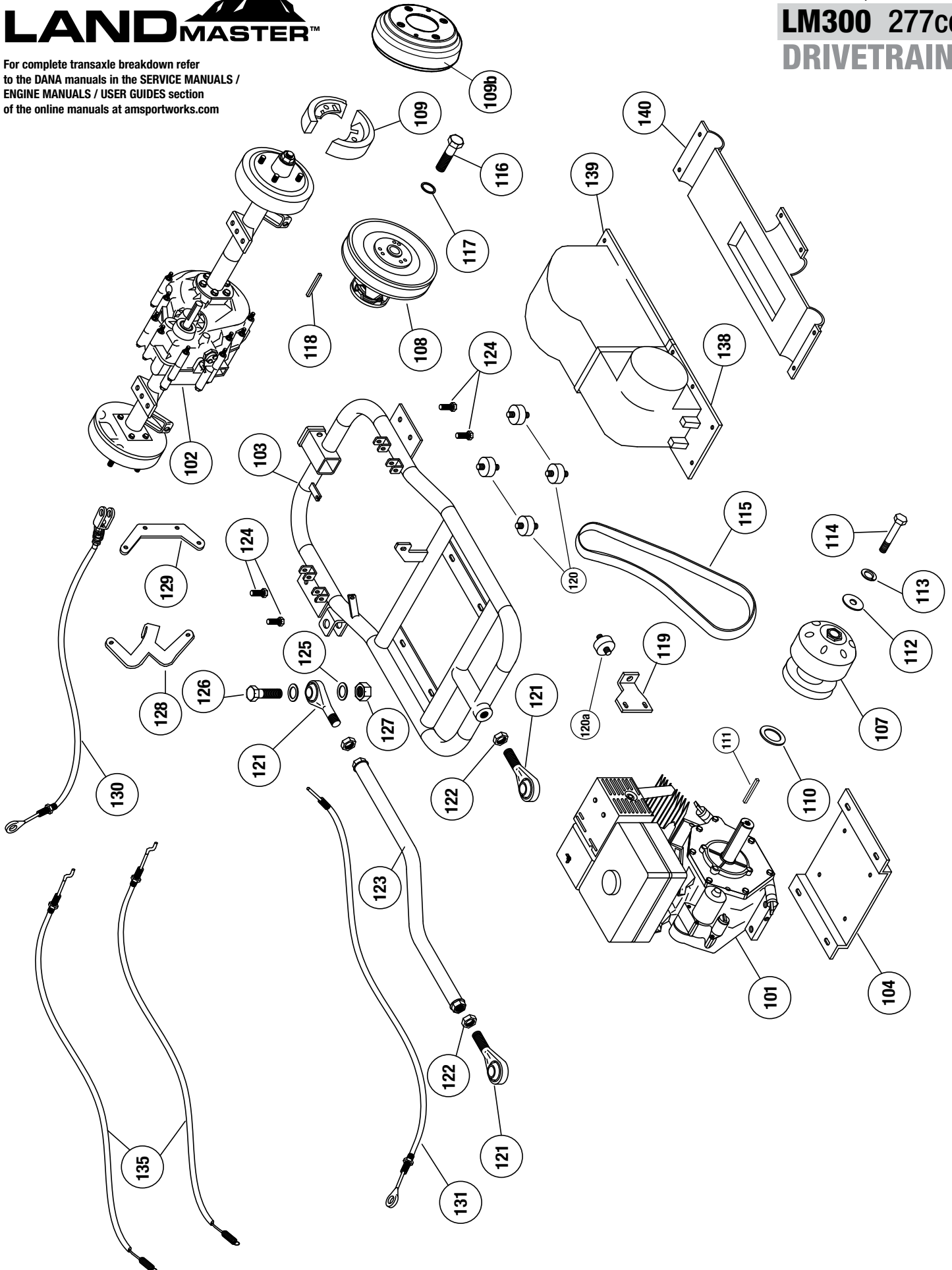
**NOTE:**

Some part numbers vary by serial number.  
The serial number is located on a brass tag  
beneath the dump bed on the driver side.

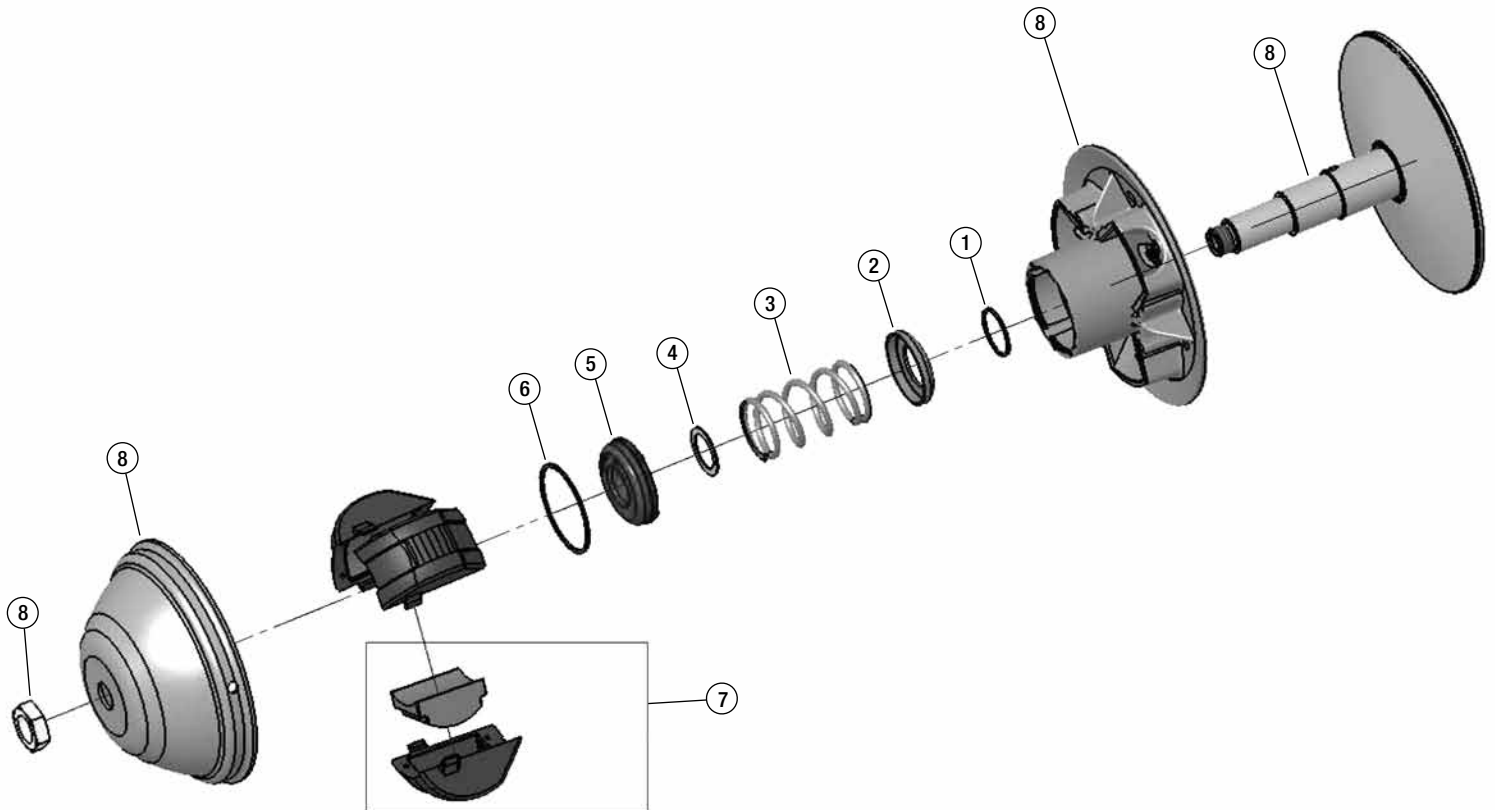




For complete transaxle breakdown refer to the DANA manuals in the SERVICE MANUALS / ENGINE MANUALS / USER GUIDES section of the online manuals at [amsportworks.com](http://amsportworks.com)

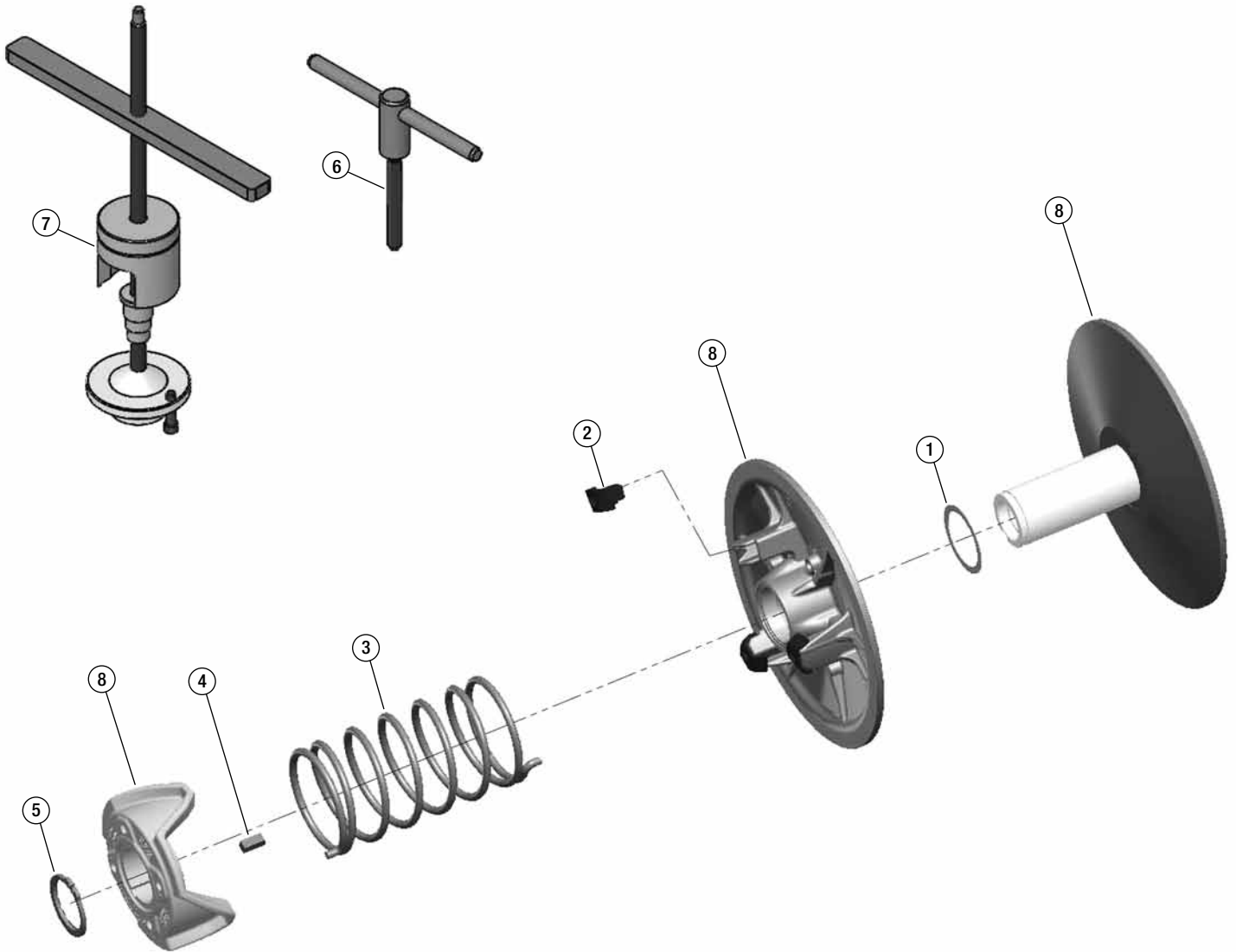


**NOTE:** parts denoted as left or right hand are from driver's point of view.



ENTIRE ASSEMBLY (2-20665)

Ref#	Part#	Description	Qty
1	16374	WASHER	1
2	16375	SPRING GUIDE	1
3	16376	SPRING	1
4	16377	SHIM	1
5	16378	EXTERNAL BUSHING	1
6	16379	INTERNAL SNAP RING	1
7	16389	CENTRIFUGAL MASS	3
8	2-20665	THIS PART IS ONLY AVAILABLE WITH THE ENTIRE ASSEMBLY	



Ref#	Part#	Description	Qty
1	16390	WASHER	1
2	16391	CAM SHOE	3
3	16392	SPRING	1
4	16385	KEY	1
5	16386	EXTERNAL RETAINING RING	1
6	16387	DISASSEMBLY TOOL	1
7	16388	FLANGE SPREADER	1
8	2-20666	THIS PART IS ONLY AVAILABLE WITH THE ENTIRE ASSEMBLY	



ENTIRE ASSEMBLY (2-20666)

REFERENCE NUMBER	PART NUMBER	PART DESCRIPTION	QUANTITY REQUIRED
1	-	Frame, CW11	1
2	2-45401	Rear frame stub, CW - black	2
-	2-50168	5/16 x 2-1/4" USS Socket Head bolt	2
-	2-50007	nut, 5/16 nylock	2
-	2-50702	bent washer 5/16	2
3	2-45413	bumper, CW - black	1
-	2-50167	bolt, 5/16 x 2	4
-	2-50007	nut, 5/16 nylock	4
-	2-50702	bent washer 5/16	4
-	2-70210	Vinyl Caps 1 3/4 x 1 1/2	2
4	2-45412	Brush Guard roof, CW265 – black	1
-	2-50168	5/16 x 2 1/4" USS Socket Head bolt	4
-	2-50007	nut, 5/16 nylock	4
-	2-50702	bent washer 5/16	4
5	2-45411	brshgrd seat back, CW – black	1
-	2-50172	5/16 x 2" USS Socket Head bolt	2
-	2-50007	nut, 5/16 nylock	2
-	2-50702	bent washer 5/16	2
6	2-45512	A-arm upper, 265 – black (left or right)	2
-	2-51102	suspension bushings	4 ea
-	2-50097	bolt, 3/8 x 8.5"	1 ea
-	2-50212	Bolt, 3/8 x 3.25 bolt	2 ea
-	2-50010	Nylock Nut 3/8"-16	5 ea
-	2-50225	Bolt, 3/8" x 8"	2 ea
-	2-10048	DOM 3/8" ID x 2.2"	2
-	2-42114	Spacer, 3/8" ID x 6.93"	2 ea
7	2-45513	A-arm Lower, 265 – black (left or right)	2
-	2-51102	suspension bushings	4 ea
-	2-50097	bolt, 3/8 x 8.5"	1 ea
-	2-50221	Bolt, 3/8 x 3.25 bolt	2 ea
-	2-10048	DOM 3/8" ID x 2.2"	2
-	2-50010	Nylock Nut 3/8" – 16	5 ea
-	2-50225	Bolt, 3/8" x 8"	2 ea
-	2-42114	Spacer, 3/8" ID x 6.93"	2 ea
8	2-45408	spindle mount, CW – black	2
9a	2-45406	Spindle, left – black	1
9b	2-45407	Spindle, right – black	1
-	2-10049	DOM 3/8" ID x 7.5"	2
-	2-51102	suspension bushings	2 ea
10	2-30604	Hub, 4 bolt high speed 1" Complete with Bearings & Seals	2
-	2-25018	Wheel stud, 1/2 -20 X 1 5/8"	
-	2-11205	bearing, 1" tapered	
-	2-30620	seal	
-	2-30623	Metal Dust Cap (Front Only)	2
-	2-70209	Rubber Dust Cap (Rear Only)	2
-	2-30622	castle nut, 1"	
-	2-30621	cotter pin	
-	2-50060	Lug nuts, 1/2"	
11	2-70302	Shock, Heavy duty, Black	6
-	2-50400	Bolt, 10 mm x 40mm	12

**NOTE: parts denoted as left or right hand are from driver's point of view.**

REFERENCE NUMBER	PART NUMBER	PART DESCRIPTION	QUANTITY REQUIRED
-	2-50065	Nut, 10mm nylock	12
-	2-50065	Nut, 10mm nylock	12
15L	2-30122-B	Rim/Tire Assembly, Black UTV 22/9-10" Front Left	1
15R	2-30123-B	Rim/Tire Assembly, Black UTV 22/9-10" Front Right	1
17L	2-30124-B	Rim/Tire Assembly, Black UTV 22/11-10" Rear Left	1
17R	2-30125-B	Rim/Tire Assembly, Black UTV 22/11-10" Rear Right	1
20	2-10521	Rack & pinion with rod ends	1
-	2-10593	Rack & Pinion Boots	2
-	N/A	Rack & Pinion Rod – <b>Not available sold as assembly only</b>	
-	2-50171	Bolt, 5/16 x 3 3/4" USS	4
-	2-50005	Nut, 5/16 keps	4
-	2-50063	Nut, 1/2" SAE nylock	2
21	2-10589	Rod end	2
-	2-50078	Nut, 1/2" SAE jam	2
22	2-10526	Steering Shaft w/u-joints	1
-	2-50402	Bolt, 10mm x 30mm	1
-	2-50066	Nut, 10mm Tri Lock Jam	1
-	2-50403	Bolt, 8mm x 30mm	1
-	2-50780	Lock washer, 8mm	1
23	2-18170	Steering Stub Shaft Double Splined	1
24	2-45400	Steering support, CW – black	1
-	2-51102	suspension bushings	2 ea
-	2-50152	bolt, 5/16 x 1	4
-	2-50005	Nut, 5/16 keps	4
25	14845	Steering Wheel (used for <b>serial number 48598</b> and above)	1
-	14846	Center cap (used for <b>serial number 48598</b> and above)	1
-	2-10508	Center cap (used for <b>serial number 48598</b> and below)	1
-	2-10509	Steering Wheel (used for <b>serial number 48598</b> and below)	1
26	2-18169	Steering Washer	1
-	2-50636	Bolt, 1/4 x 3/4 SS Socket Head	6
-	2-50001	Nut, 1/4 Nylock	6
-	2-50098	Bolt, Tapered	1
30	2-42106	Pivot Pedal Asm, Black	1
-	2-70261	Pedal cover, rubber	2
-	2-50152	bolt, 5/16 x 1	6
-	2-50081	bolt, 1/4 x 1 3/4"	1
-	2-50159	bolt, 5/16 x 1 1/2	1
-	2-50005	Nut, 5/16 keps	8
-	2-50701	Washer, 5/16 flat	2
31	2-11181	Brake Rod, with clevis	1
-	2-50215	Bolt, 3/8 x 1 1/4	1
-	2-50010	Nut, 3/8" nylock	1
-	2-50801	cotter pin 1/8" x 1	1
32	2-45417	parking brake bar, CW – black	1
-	2-50806	Clevis, 5/16 rod end	1
-	2-50170	Bolt, 5/16"-24 X 4" SAE	1
-	2-50077	Nut, 5/16" Hex SAE	1
-	2-50087	bolt, 1/4" x 1	1
-	2-50001	nut, 1/4" nylock	1
33	2-11127	Parking Brake	1

**NOTE: parts denoted as left or right hand are from driver's point of view.**



REFERENCE NUMBER	PART NUMBER	PART DESCRIPTION	QUANTITY REQUIRED
-	2-50086	Bolt, ¼ x 1 ¼	1
-	2-50001	nut, ¼" nylock	1
-	2-50163	bolt, 5/16 x ¾" NC	4
-	2-50005	Nut, 5/16 keps	4
-	2-50701	Washer, 5/16 flat	4
36	2-45415	Brake equalizer, CW (2 ½") – black	1
-	2-50215	bolt, 3/8 x 1 ¼	2
-	2-50010	nut, 3/8" ny-lock	2
37	2-45522	Shifter assembly	1
-	2-11093	Knob, Shifter Imprinted	1
-	2-11082	Cable, shifter	2
-	2-50053	nut, #10-24 Keps	2
-	2-50616	screw, #10-24 X ¾" Pan Head Phillips	2
-	2-50770	Washer, #10 flat	2
39	2-11054	Choke Cable	1
40	2-70012	Wire Harness	1
41	2-70000	Battery, U1L-HDJ7-UTV - 360CCA	1
-	2-70002	Battery Cable, Red – 19"	1
-	2-70010	Battery Cable, Black (27")	1
-	2-70009	Battery Terminal Cover	2
-	2-50087	bolt, ¼" x 1	2
-	2-50000	nut, ¼" keps	2
42	2-45414	Battery strap, CW (8 ¾") – black	1
-	2-50083	bolt, ¼ x 7 ½	2
-	2-50002	nut, ¼" wing	2
43	2-70066	Headlight Switch	1
44	2-70052	Key Switch (keys not included) <b>USED ON VEHICLES MANUFACTURED BEFORE SERIAL NUMBER 58843</b>	1
-	2-70060	Key <b>USED ON VEHICLES MANUFACTURED BEFORE SERIAL NUMBER 58843</b>	1
-	2-70093	Key Switch (keys included) <b>USED ON VEHICLES MANUFACTURED AFTER SERIAL NUMBER 58843</b>	1
-	2-70092	Key set (includes 2 keys) <b>USED ON VEHICLES MANUFACTURED AFTER SERIAL NUMBER 58843</b>	1
45	2-70080	Accessory Plug	1
45	2-70080	Accessory Plug	1
-	2-70081	Accessory Plug cap	1
46	2-18500	Terminal Block Cover – plastic	1
-	2-50625	screw, #10-24 X 1" Pan Head Phillips	2
-	2-50053	nut, #10-24 Keps nut	2
47	<b>SEE LAST PAGE FOR HEADLIGHT INFORMATION</b>		
50	2-18334	Hood LM, Red	1
-	15977	Hood LM, "Spencer" Green	1
-	2-18346	Hood LM, Camo	1
-	2-18342	Hood LM, White	1
50a	2-18341	UTV Grille LM, Black	1
50b	15978	UTV Dash LM, Black	1
-	2-50817	Push Pin Black Plastic	16
-	2-50621	¼" x 2" Phillip Head Machine Screw	1
-	2-50001	nut, ¼" nylock	4
-	2-50846	Clamp-Tube-vinyl coated 1-1/4"	2
51	2-18309	Glove Box	1
-	2-50624	Screw, #10 x ¾ hex – black	5
53	2-18306	Center Console	1

**NOTE: parts denoted as left or right hand are from driver's point of view.**

REFERENCE NUMBER	PART NUMBER	PART DESCRIPTION	QUANTITY REQUIRED
-	2-50624	Screw, #10 x ¾ hex – black	14
54	2-18316	Access Cover, Center Console	1
-	2-50624	Screw, #10 x ¾ hex – black	4
55	2-18305	Plastic, Seat Bottom wrap	1
-	2-50624	Screw, #10 x ¾ hex – black	5
56	2-55013	Backsplash Kit ( <b>includes:</b> two 2-50025 Nylock Nuts (7/16-14) / two 2-50720 SAE Flat Washers 1/2" / Backsplash)	1
57	2-18303	Rear Fender Universal	2
-	2-50001	nut, ¼ nylock	4
-	2-50087	Bolt, ¼"-20 X ¾" Hex Head	4
-	2-50717	¼" SAE Flat washer	4
60	2-10771	Seat back – <b>BLACK &amp; GREY</b> – 43 ½ x 17 ½	1
60	2-10754	Seat back – <b>BLACK</b> – 43 ½ x 17 ½	1
-	2-50619	#14 X 1-3/4" Pan head-Tapping screw	6
61	2-10773	Headrest – <b>BLACK &amp; GREY</b> – 9 x 6 ½	2
61	2-10803	Headrest – <b>BLACK</b> – 9 x 6 ½	2
-	2-50085	bolt, ¼ x 1 ½"	4
62	2-10772	Seat bottom – <b>BLACK &amp; GREY</b> – 43 ½ x 17 ½	1
62	2-10755	Seat bottom – <b>BLACK</b> – 43 ½ x 17 ½	1
63	2-45416	seat bar, CW (17 ½") – black	2
-	2-50609	#14 x ¾ Pan Head Screw	6
65	14786	Seatbelt, retractable without sleeve	2
-	8375	Seatbelt plastic sleeve - 7" length	2
-	2-50025	7/16 Nylock	4
70	2-18356	Dump Bed UTV Plastic	1
-	2-50255	5/8 x 4" bolt Zinc plate	2
-	2-50015	5/8 nylock	2
-	2-18413	Bed Bumper 3/8" Rubber	2
73	2-50208	Bed latch bolt, 3/8 x 2 1/2"	1
-	2-50013	nut, 3/8 keps	2
-	2-50740	washer, 3/8 flat	2
75	2-18357	Dump Bed Tailgate UTV Plastic	1
101	2-20021	Engine, Kohler 277	1
-	2-50202	3/8-16 x 1 3/4" Hex Hd Bolt	4
-	2-50740	3/8" Flat washer, USS	4
102	2-20869	Dana Transaxle – 265 models	1
103	2-45423	Swing arm, CW - Black	1
104	2-45430	Motor Plate, CW - Black	1
107	2-20665	TC, Driver CVTECH – <b>used after Serial Number # 42439 (parts list on page 5)</b>	1
108	2-20666	TC, Driven CVTECH – <b>used after Serial Number # 42439 (parts list on page 6)</b>	1
109	16279	Brake Shoes - Rear UTV – Dana (kit includes 4 shoes to cover both rear wheels)	1
109b	2-11191	Brake Drum Replacement #012WA123	2
110	2-50745	1" I.D. Spacer Washer	1
111	2-10190	3/16 x 1/4 x 1-1/2" Keystock ( <b>for use with CV Tech driver pulley</b> )	1
112	2-50795	7/16" I.D. Fender Washer	1
113	2-50793	7/16" Lock Washer	1
114	2-50304	7/16 x 5 SAE Bolt	1
115	2-20694	Belt, CV Tech	1
116	2-50239	1/2 x 2" SAE	1
117	2-50722	1/2" Lock Washer	1
-	2-50721	1/2" Uss Flat Washer	1

**NOTE: parts denoted as left or right hand are from driver's point of view.**

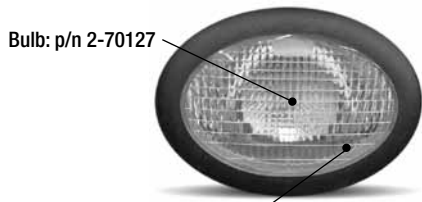
REFERENCE NUMBER	PART NUMBER	PART DESCRIPTION	QUANTITY REQUIRED
118	2-10191	3/16 x 3/16 x 3-1/4" Keystock <b>(for use with CV Tech driven pulley)</b>	1
119	2-18061	Tension Mount Engine, 265 - Black	1
-	2-50157	5/16x 3/4" Bolt Hex Hd NF	2
-	2-50703	5/16" Lock Washer	2
-	2-50704	5/16" Flatwasher	2
120	2-70251	Rubber Feet (Isolators)* <b>SEE NOTE AT BOTTOM OF PAGE</b>	4
120a	2-70252	Rubber Feet (Isolator)* <b>SEE NOTE AT BOTTOM OF PAGE</b>	1
-	2-50010	3/8 Nylock Nut	10
-	2-50740	3/8 Flatwasher USS	5
121	2-10583	Rod End Sphcl-UTV (4681-MPM-12)	3
122	2-50021	3/4 Jam nut SAE	3
123	2-42093	Panhard bar, CW - black	1
124	2-50206	bolt, 3/8 x 1	4
-	2-50010	3/8" Nylock Nut	4
-	2-50740	3/8" Flatwasher, USS	4
126	2-50280	3/4 x 2.5 SAE bolt	3
127	2-50020	3/4 SAE nylock	3
128	2-18011	Shifter cable mount	1
129	2-18012	shifter cable lever,	1
-	2-50084	1/4-20 x 3/4" Hex Hd Bolt	1
-	2-50000	1/4" Keps Nut	1
-	2-50715	1/4" Flatwasher, USS	2
130	2-11103	Brake Cables	2
-	2-50150	5/16-18 x 1" Hex Hd Bolt	2
-	2-50007	5/16" Nylock Nut	2
131	2-11011	Throttle Cable, UTV	1
-	2-50227	#10 Shoulder Bolt	1
-	2-11804	Spring #80704	1
135	2-11082	Cable, shifter	2
138	2-18313	Belt Guard Plastic UTV - Front	1
139	2-18314	Belt Guard Plastic UTV - Rear	1
140	2-18315	Belt Guard Plastic UTV - Bottom	1
-	2-50624	#10 x 3/4" Blunt Point Black	7
-	2-50050	#10 Speed Nut - for Plastic	7
-	2-50770	#10 Flat washer	7

\* On single cylinder models, quantity 5 of 2-70250 was replaced by quantity 4 of 2-70251 and 1 of 2-70252 on 6/1/2012. The 4 of the 2-70251 go under the engine and the 1 of the 2-70252 goes in the vertical mount. We do not recommend replacing only one bushing and that all four bushings should be replaced together.

**NOTE: parts denoted as left or right hand are from driver's point of view.**

pub. 04/27/17

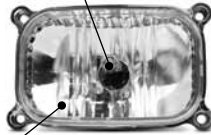
# HEADLIGHT REPLACEMENT BULBS AND ASSEMBLIES FOR ASW UTILITY VEHICLES



Bulb: p/n 2-70127

Assembly: p/n 2-70129  
(5 1/4" oval)

Bulb: p/n 2-70127



Assembly: p/n 2-70133  
(4 3/8" rectangle)



Bulb: p/n 2-70127

Assembly: p/n 15648  
(3 1/4" Round)



Bulb: Sealed housing  
no bulb available

Assembly: p/n 14768  
(4" round)

Light assembly: p/n 2-70158  
(5" round)

Amber reflector: p/n 14784  
(2 1/4" Round)

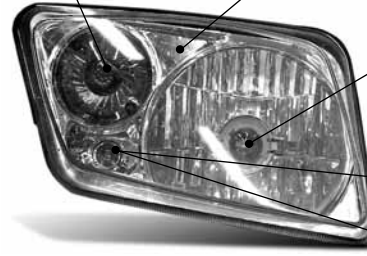


Bulb: p/n 2-70122

Plastic insert: p/n "Driver Side" 15944 (inner bezel)  
15946 (outer bezel)

Plastic insert: p/n "Passenger Side" 15943 (inner bezel)  
15945 (outer bezel)

Bulb: p/n 15304  
Light assembly: p/n 2-70153 (driver side)  
Light assembly: p/n 2-70154 (passenger side)



Bulb: p/n 2-70146

Twist-in Bulb:  
Sylvania 1891 or equivalent



Depending on your year of manufacture,  
this housing either has a "push-in" or "twist-in" bulb



Push-in Bulb:  
Sylvania 2825 or equivalent

Measurements are taken from left to right of the visible portion of the lens



7625 DiSalle Boulevard  
Fort Wayne IN 46825

62194 Commercial Street  
Roseland, LA 70456

Toll Free 800-643-7332  
Fax 800-399-1399  
www.amsportworks.com