



**AMERICAN
SPORTWORKS®**

800-643-7332 • amsportworks.com

LM400

WITH 390cc HONDA ENGINE



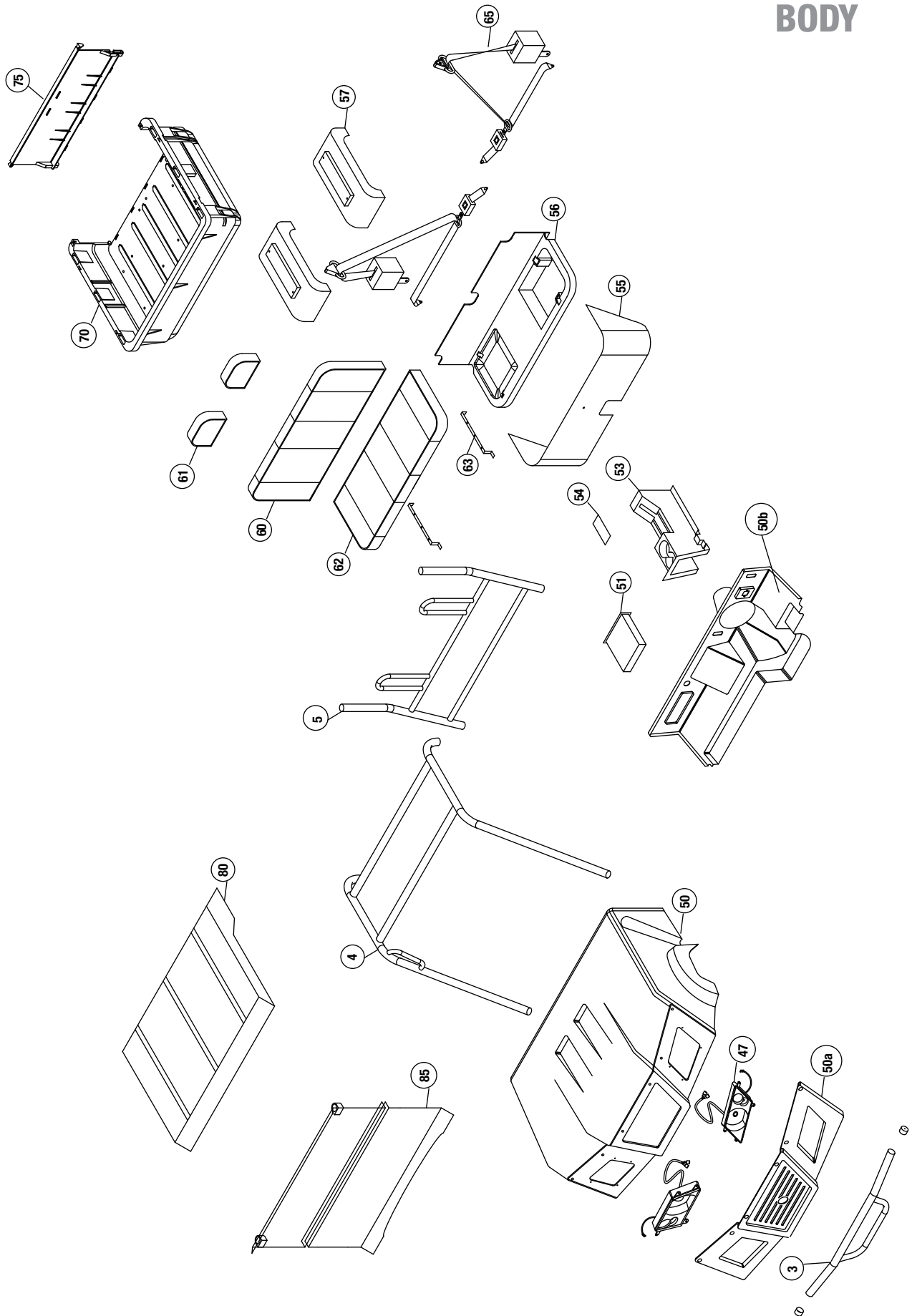
390CC 2 WHEEL DRIVE UTILITY VEHICLE

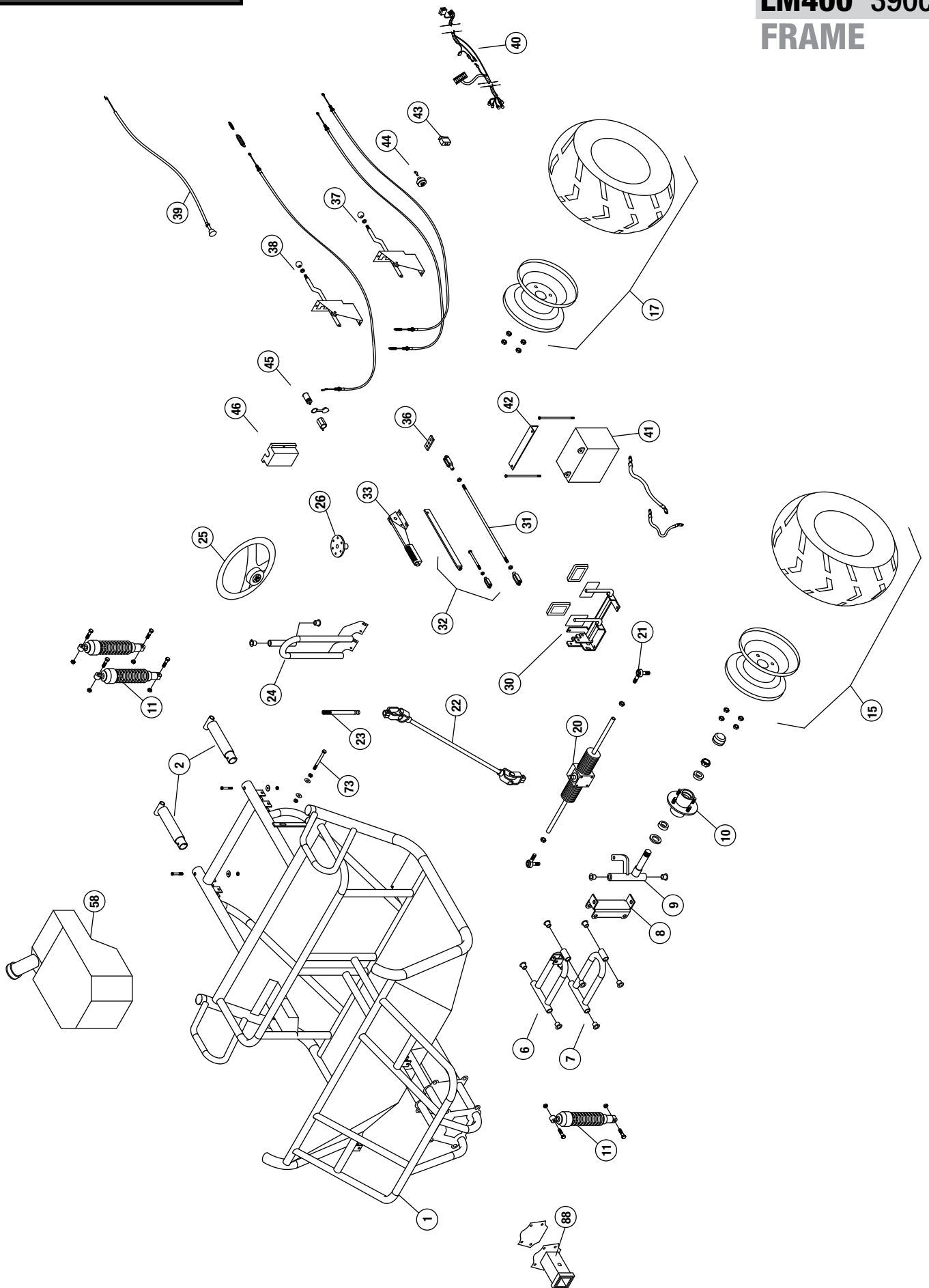
ILLUSTRATED PARTS LIST



NOTE:

Some part numbers vary by serial number.
The serial number is located on a brass tag
beneath the dump bed on the driver side.

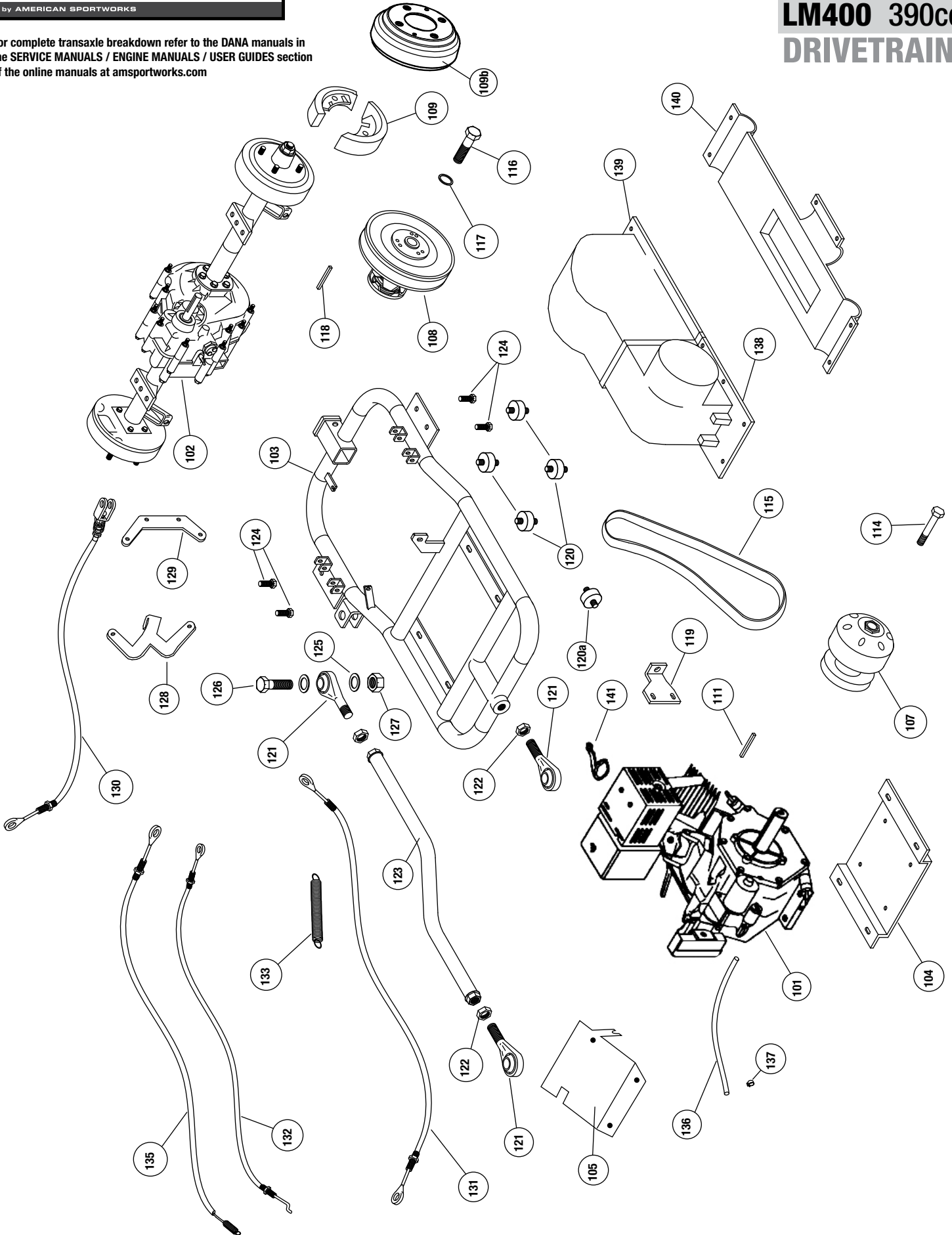




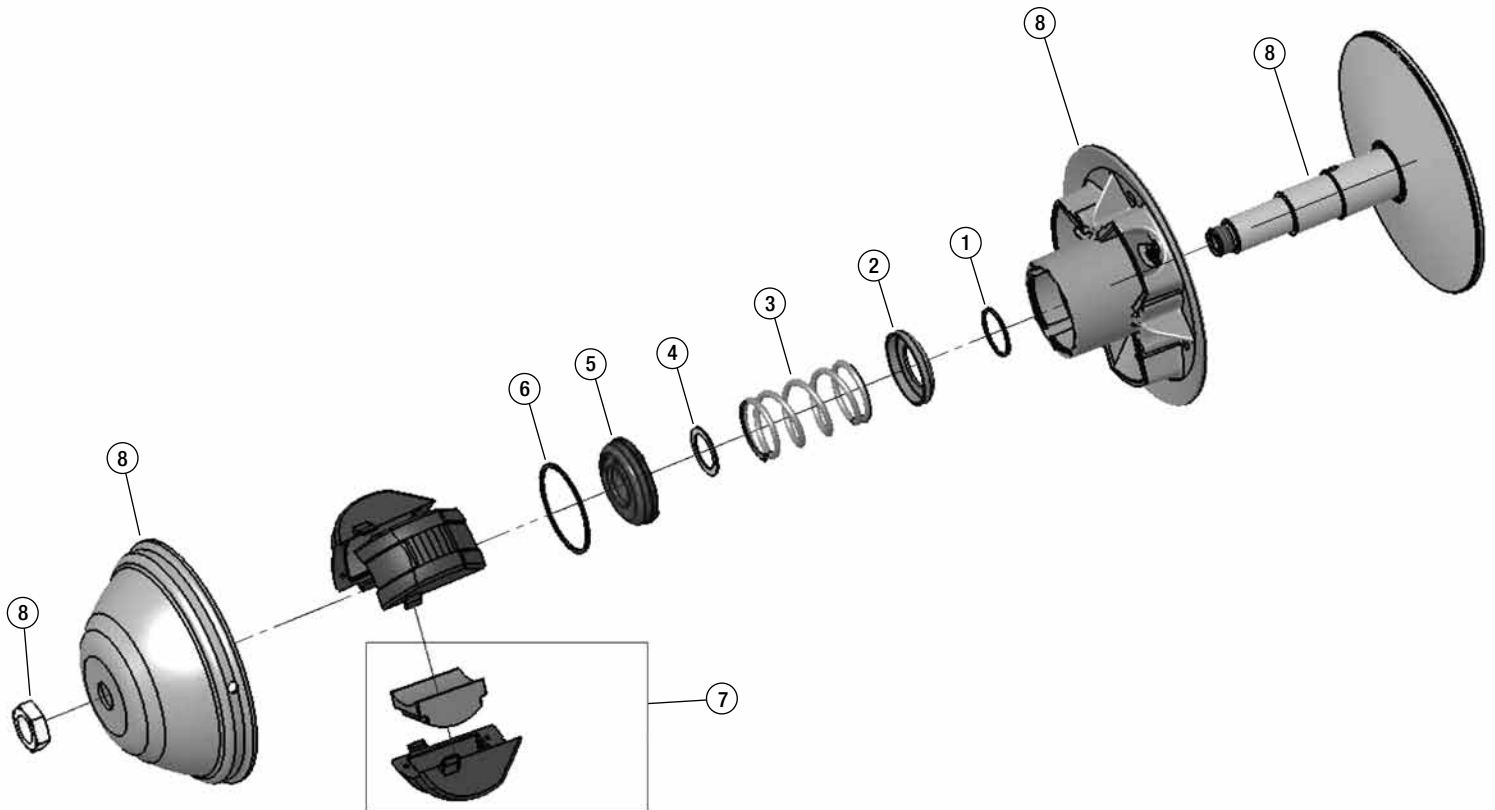
NOTE: parts denoted as left or right hand are from driver's point of view.

For complete transaxle breakdown refer to the DANA manuals in the SERVICE MANUALS / ENGINE MANUALS / USER GUIDES section of the online manuals at amsportworks.com

illustrated parts list
LM400 390cc
DRIVETRAIN



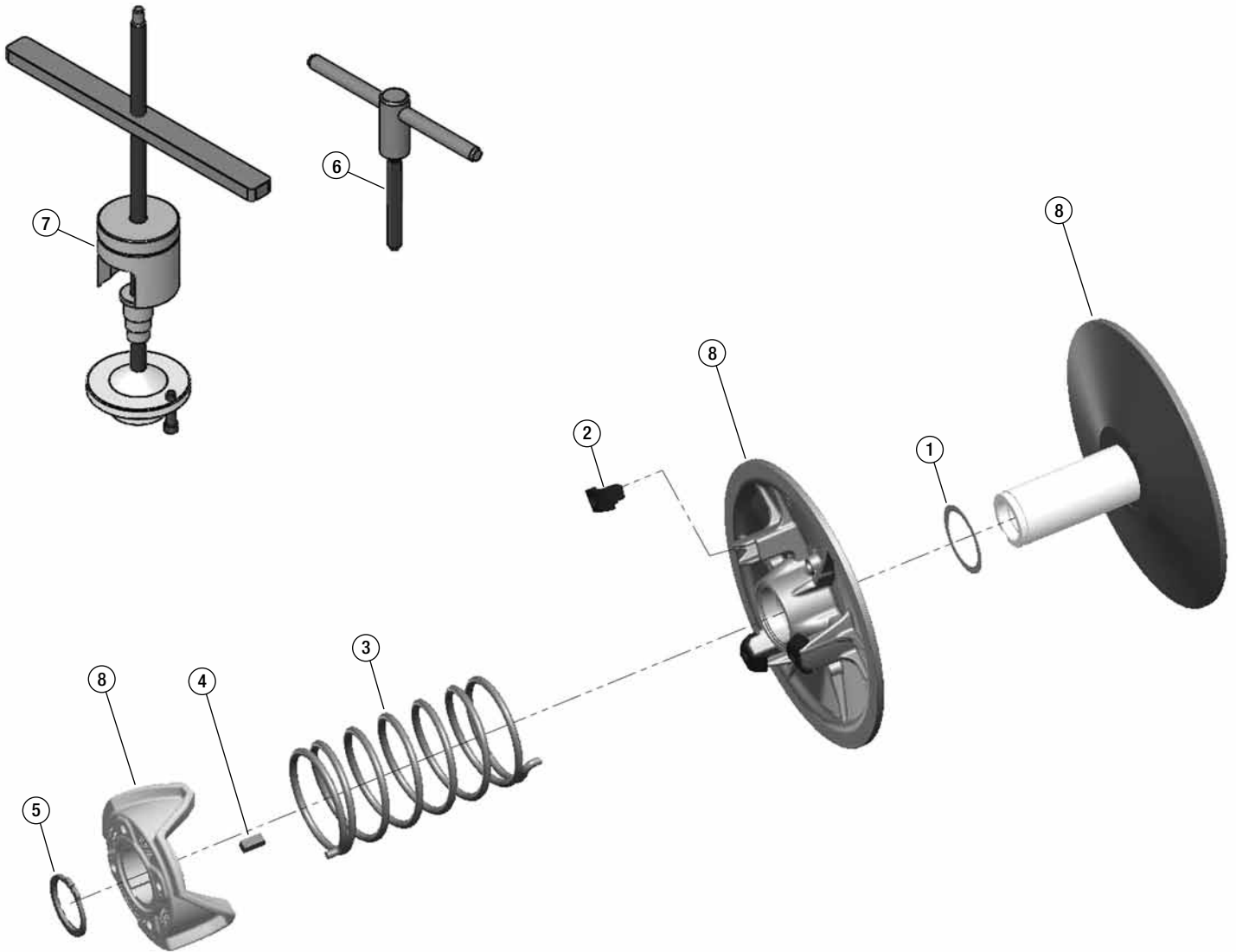
NOTE: parts denoted as left or right hand are from driver's point of view.



| Ref# | Part# | Description | Qty |
|------|---------|--|-----|
| 1 | 16374 | WASHER | 1 |
| 2 | 16375 | SPRING GUIDE | 1 |
| 3 | 16376 | SPRING | 1 |
| 4 | 16377 | SHIM | 1 |
| 5 | 16378 | EXTERNAL BUSHING | 1 |
| 6 | 16379 | INTERNAL SNAP RING | 1 |
| 7 | 16389 | CENTRIFUGAL MASS | 3 |
| 8 | 2-20665 | THIS PART IS ONLY AVAILABLE WITH THE ENTIRE ASSEMBLY | |



ENTIRE ASSEMBLY (2-20665)



| Ref# | Part# | Description | Qty |
|------|---------|--|-----|
| 1 | 16390 | WASHER | 1 |
| 2 | 16391 | CAM SHOE | 3 |
| 3 | 16392 | SPRING | 1 |
| 4 | 16385 | KEY | 1 |
| 5 | 16386 | EXTERNAL RETAINING RING | 1 |
| 6 | 16387 | DISASSEMBLY TOOL | 1 |
| 7 | 16388 | FLANGE SPREADER | 1 |
| 8 | 2-20666 | THIS PART IS ONLY AVAILABLE WITH THE ENTIRE ASSEMBLY | |



ENTIRE ASSEMBLY (2-20666)

| REFERENCE NUMBER | PART NUMBER | PART DESCRIPTION | QUANTITY REQUIRED |
|------------------|-------------|---|-------------------|
| 1 | | Frame, CW11 | 1 |
| 2 | 2-45401 | Rear frame stub, CW - black | 2 |
| - | 2-50168 | 5/16 x 2-1/4" USS Socket Head bolt | 2 |
| - | 2-50007 | nut, 5/16 nylock | 2 |
| - | 2-50702 | bent washer 5/16 | 2 |
| 3 | 2-45465 | Trail Wagon Front Bumper | 1 |
| - | 2-50167 | bolt, 5/16 x 2 | 4 |
| - | 2-50007 | nut, 5/16 nylock | 4 |
| - | 2-50702 | bent washer 5/16 | 4 |
| - | 2-70210 | 1.75" Round Tubing Plug | 2 |
| 4 | 2-45412 | Brush Guard roof, CW – black | 1 |
| - | 2-50168 | 5/16 x 2-1/4" USS Socket Head bolt | 4 |
| - | 2-50007 | nut, 5/16 nylock | 4 |
| - | 2-50702 | bent washer 5/16 | 4 |
| 5 | 2-45411 | brshgrd seat back, CW – black | 1 |
| - | 2-50168 | 5/16 x 2-1/4" USS Socket Head bolt | 2 |
| - | 2-50007 | nut, 5/16 nylock | 2 |
| - | 2-50702 | bent washer 5/16 | 2 |
| 6 | 2-45404 | A-arm upper, CW – black (left or right) | 2 |
| - | 2-51102 | suspension bushings | 4 ea |
| - | 2-50097 | bolt, 3/8 x 8.5" | 1 ea |
| - | 2-50212 | Bolt, 3/8 x 3.25 bolt | 1 ea |
| - | 2-10048 | DOM 3/8" ID x 2.2" | 2 ea |
| - | 2-50010 | Nylock Nut 3/8"-16 | 5 ea |
| - | 2-50225 | Bolt, 3/8" x 8" | 2 ea |
| - | 2-42114 | Spacer, 3/8" ID 6.93" | 2 ea |
| 7 | 2-45405 | A-arm Lower, CW – black (left or right) | 2 |
| - | 2-51102 | suspension bushings | 4 ea |
| - | 2-50097 | bolt, 3/8 x 8.5" | 1 ea |
| - | 2-50221 | Bolt, 3/8 x 3.25 bolt | 1 ea |
| - | 2-10048 | DOM 3/8" ID x 2.2" | 2 ea |
| - | 2-50010 | Nylock Nut 3/8"-16 | 2 ea |
| - | 2-50225 | Bolt, 3/8" x 8" | 2 ea |
| - | 2-42114 | Spacer, 3/8" ID 6.93" | 2 ea |
| 8 | 2-45408 | spindle mount, CW – black | 2 |
| 9a | 2-45406 | Spindle, cw left – black | 1 |
| 9b | 2-45407 | Spindle, cw right – black | 1 |
| - | 2-51102 | suspension bushings | 2 ea |
| - | 2-10049 | DOM 3/8" ID x 7.5" | 2 ea |
| 10 | 2-30604 | Hub, 4 bolt high speed 1" Complete with Bearings & Seals | 2 |
| - | 2-25018 | Wheel stud, 1/2 -20 X 1 5/8" | |
| - | 2-11205 | bearing, 1" tapered | |
| - | 2-30620 | seal | |
| - | 2-30622 | castle nut, 1" | |
| - | 2-30621 | cotter pin | |
| - | 2-30623 | Metal Dust Cap (Front Only) | 2 |
| - | 2-70209 | Rubber Dust Cap (Rear Only) | 2 |
| - | 2-50060 | Lug nuts, 1/2" | |
| 11 | 2-70301 | Shock, Heavy duty, Black/Yellow (Before Serial #52767) | 6 |
| - | 2-70302 | Shock, Heavy duty, Black (After Serial #52767) | |

NOTE: parts denoted as left or right hand are from driver's point of view.

| REFERENCE NUMBER | PART NUMBER | PART DESCRIPTION | QUANTITY REQUIRED |
|------------------|-------------|--|-------------------|
| - | 2-50400 | Bolt, 10 mm x 40mm | 12 |
| - | 2-50065 | Nut, 10mm nylock | 12 |
| 15L | 2-30149 | Rim/Tire Assembly, Black, UTV 25/11-12" Left | 1 |
| 15R | 2-30150 | Rim/Tire Assembly, Black, UTV 25/11-12" Right | 1 |
| 17L | 2-30149 | Rim/Tire Assembly, Black, UTV 25/11-12" Left | 1 |
| 17R | 2-30150 | Rim/Tire Assembly, Black, UTV 25/11-12" Right | 1 |
| 20 | 2-10521 | Rack & pinion with rod ends | 1 |
| - | 2-10593 | Rack & Pinion Boots | 2 |
| - | N/A | Rack & Pinion Rod – Not available sold as assembly only (2-10521) | |
| - | 2-50171 | Bolt, 5/16 x 3 3/4" USS | 4 |
| - | 2-50005 | Nut, 5/16 keps | 4 |
| - | 2-50063 | Nut, 1/2" SAE nylock | 2 |
| 21 | 2-10524 | Rod end (use before serial #27213) | 2 |
| - | 2-10589 | Rod end (use after serial #27214) | 2 |
| - | 2-50078 | Nut, 1/2" SAE jam | 2 |
| 22 | 2-10522 | Steering Shaft w/u-joints | 1 |
| - | 2-50402 | Bolt, 10mm x 30mm | 1 |
| - | 2-50066 | Nut, 10mm Tri Lock Jam | 1 |
| - | 2-50403 | Bolt, 8mm x 30mm | 1 |
| - | 2-50780 | Lock washer, 8mm | 1 |
| 23 | 2-10520 | Steering Stub Shaft Double Splined | 1 |
| 24 | 2-45462 | Steering support, LM – black | 1 |
| - | 2-51102 | suspension bushings | 2 ea |
| - | 2-50152 | bolt, 5/16 x 1 | 4 |
| - | 2-50005 | Nut, 5/16 keps | 4 |
| 25 | 14845 | Steering Wheel (used for serial number 48598 and above) | 1 |
| - | 14846 | Center cap (used for serial number 48598 and above) | 1 |
| - | 2-10508 | Center cap (used for serial number 48598 and below) | 1 |
| - | 2-10509 | Steering Wheel (used for serial number 48598 and below) | 1 |
| 26 | 2-18169 | Steering Washer | 1 |
| - | 2-50636 | Bolt, 1/4 x 3/4 SS Socket Head | 6 |
| - | 2-50001 | Nut, 1/4 Nylock | 6 |
| - | 2-50098 | Tapered Bolt | 1 |
| 30 | 2-42106 | Pivot Pedal Asm, Black | 1 |
| - | 2-70261 | Pedal cover, rubber | 2 |
| - | 2-50152 | bolt, 5/16 x 1 | 6 |
| - | 2-50081 | bolt, 1/4 x 1 3/4" | 1 |
| - | 2-50159 | bolt, 5/16 x 1 1/2 | 1 |
| - | 2-50005 | Nut, 5/16 keps | 8 |
| - | 2-50701 | Washer, 5/16 flat | 2 |
| 31 | 2-11181 | Brake Rod, with clevis | 1 |
| - | 2-50215 | bolt, 3/8 x 1 1/4 | 1 |
| - | 2-50010 | nut, 3/8" nylock | 1 |
| - | 2-50801 | cotter pin 1/8" x 1 | 1 |
| 32 | 2-45417 | parking brake bar, CW – black | 1 |
| - | 2-50806 | Clevis, 5/16 rod end | 1 |
| - | 2-50170 | Bolt, 5/16"-24 X 4" SAE | 1 |
| - | 2-50077 | Nut, 5/16" Hex SAE | 1 |
| - | 2-50087 | bolt, 1/4" x 1 | 1 |
| - | 2-50001 | nut, 1/4" nylock | 1 |

NOTE: parts denoted as left or right hand are from driver's point of view.

| REFERENCE NUMBER | PART NUMBER | PART DESCRIPTION | QUANTITY REQUIRED |
|------------------|--|--|-------------------|
| 33 | 2-11127 | Parking Brake | 1 |
| - | 2-50086 | Bolt, ¼ x 1 ¼ | 1 |
| - | 2-50001 | nut, ¼" nylock | 1 |
| - | 2-50163 | bolt, 5/16 x ¾" NC | 4 |
| - | 2-50005 | Nut, 5/16 keps | 4 |
| - | 2-50701 | Washer, 5/16 flat | 4 |
| 36 | 2-45415 | Brake equalizer, CW (2 ½") – black | 1 |
| - | 2-50215 | bolt, 3/8 x 1 ¼ | 2 |
| - | 2-50010 | nut, 3/8" ny-lock | 2 |
| 37 | 2-45522 | Shifter control assembly, black (used on units built after 2-1-05) | 1 |
| - | 2-11080 | Shifter Cable and Shifter Control (used on units built before 2-1-05) | 1 |
| - | 2-11082 | Cable, shifter (used on units built after 2-1-05) | 2 |
| - | 2-11093 | Knob, Shifter imprinted | 1 |
| - | 2-50053 | nut, #10-24 Keps nut | 2 |
| - | 2-50616 | screw, #10-24 X ¾" Pan Head Phillips | 2 |
| - | 2-50770 | Washer, #10 flat | 2 |
| 38 | 2-45522 | Differential Control assembly with cable and knob | 1 |
| - | 2-11092 | Knob, Differential imprinted | 1 |
| - | 2-11094 | Cable, Differential lock | 1 |
| - | 2-50053 | nut, #10-24 Keps nut | 2 |
| - | 2-50616 | screw, #10-24 X ¾" Pan Head phillips | 2 |
| - | 2-50770 | Washer, #10 flat | 2 |
| 39 | 2-11053 | Choke Cable | 1 |
| 40 | 2-70012 | Wire Harness | 1 |
| 41 | 2-70000 | Battery, U1L-HDJ7-UTV - 360CCA | 1 |
| - | 2-70002 | Battery Cable, Red – 19" | 1 |
| - | 2-70010 | Battery Cable, Black (27") | 1 |
| - | 2-70009 | Battery Terminal Cover | 2 |
| - | 2-50087 | bolt, ¼" x 1 | 2 |
| - | 2-50000 | nut, ¼" keps | 2 |
| 42 | 2-45414 | Battery strap, CW (8 ¾") – black | 1 |
| - | 2-50083 | bolt, ¼ x 7 ½ | 2 |
| - | 2-50002 | nut, ¼" wing | 2 |
| 43 | 2-70066 | Headlight Switch | 1 |
| 44 | 2-70052 | Key Switch (keys not included) USED ON VEHICLES MANUFACTURED BEFORE SERIAL NUMBER 58843 | 1 |
| - | 2-70060 | Key USED ON VEHICLES MANUFACTURED BEFORE SERIAL NUMBER 58843 | 1 |
| - | 2-70093 | Key Switch (keys included) USED ON VEHICLES MANUFACTURED AFTER SERIAL NUMBER 58843 | 1 |
| - | 2-70092 | Key set (includes 2 keys) USED ON VEHICLES MANUFACTURED AFTER SERIAL NUMBER 58843 | 1 |
| 45 | 2-70080 | Accessory Plug | 1 |
| - | 2-70081 | Accessory Plug cap | 1 |
| 46 | 2-18500 | Terminal Block Cover – plastic | 1 |
| - | 2-50625 | screw, #10-24 X 1" Pan Head Phillips | 2 |
| - | 2-50053 | nut, #10-24 Keps nut | 2 |
| 47 | SEE LAST PAGE FOR HEADLIGHT INFORMATION | | |
| 50 | 2-18334 | Hood, UTV - red (LM) | |
| - | 15977 | Hood LM, "Spencer" Green | 1 |
| - | 2-18342 | Hood, UTV - white (LM) | |
| - | 2-18346 | Hood, UTV - camo (LM) | |
| - | 2-18348 | Hood, UTV - black (LM) | |
| 50a | 2-18341 | UTV Grill LM Black | 1 |

NOTE: parts denoted as left or right hand are from driver's point of view.

| REFERENCE NUMBER | PART NUMBER | PART DESCRIPTION | QUANTITY REQUIRED |
|------------------|-------------|--|-------------------|
| 50b | 15978 | UTV Dash LM Black | 1 |
| - | 2-50817 | Push Pin Black Plastic | 16 |
| - | 2-50621 | ¼" x 2" Phillip Head Machine Screw | 1 |
| - | 2-50001 | nut, ¼" nylock | 1 |
| - | 2-50846 | Clamp-Tube-vinyl coated 1-1/4" | 2 |
| 51 | 2-18309 | Glove Box | 1 |
| - | 2-50624 | Screw, #10 x ¾ hex – black | 5 |
| 53 | 2-18306 | Center Console | 1 |
| - | 2-50624 | Screw, #10 x ¾ hex – black | 14 |
| 54 | 2-18316 | Access Cover, Center Console | 1 |
| - | 2-50624 | Screw, #10 x ¾ hex – black | 4 |
| 55 | 2-18305 | Plastic, Seat Bottom wrap | 1 |
| - | 2-50624 | Screw, #10 x ¾ hex – black | 5 |
| 56 | 2-18355 | Under seat storage box | 1 |
| 57 | 2-18303 | Rear Fender, Universal | 2 |
| - | 2-50001 | nut, ¼ nylock | 4 |
| - | 2-50091 | Bolt, ¼"-20 X ¾" Hex Head | 4 |
| - | 2-50717 | ¼" SAE Flat washer | 4 |
| - | 2-70150 | Reflectors | 2 |
| 58 | 2-55069 | Fuel Tank, Flambeau (used on units BEFORE serial number 58908) | 1 |
| - | 2-55077 | Fuel Tank, QMI (used on units AFTER serial number 58908) | 1 |
| - | 15698 | Clamp, 3/8 Spring Tube | 1 |
| - | 2-65503 | UTV, Fuel Line 3/16" black | 1 |
| - | 2-55063 | Elbow Fuel Inlet with #200 Mesh Screen | 1 |
| - | 2-55062 | Fuel Fitting Grommet | 1 |
| - | 2-55073 | Fuel Tank Cap (used with Flambeau fuel tank) | 1 |
| - | 2-55066 | Fuel Tank Cap (used on units AFTER serial number 58908 with QMI opaque fuel tank) | 1 |
| - | 2-55071 | Fuel Tank Straps | 2 |
| - | 2-50010 | Nut, 3/8 Nylock | 4 |
| - | 2-50740 | Washer, 3/8 Flat | 4 |
| 60 | 2-10771 | Seat back – BLACK & GREY – 43 ½ x 17 ½ | 1 |
| 60 | 2-10754 | Seat back – BLACK – 43 ½ x 17 ½ | 1 |
| - | 2-50619 | #14 X 1-3/4" Pan head-Tapping screw | 6 |
| 61 | 2-10773 | Headrest – BLACK & GREY – 9 x 6 ½ | 2 |
| 61 | 2-10803 | Headrest – BLACK – 9 x 6 ½ | 2 |
| - | 2-50085 | bolt, ¼ x 1 ½" | 4 |
| 62 | 2-10772 | Seat bottom – BLACK & GREY – 43 ½ x 17 ½ | 1 |
| 62 | 2-10755 | Seat bottom – BLACK – 43 ½ x 17 ½ | 1 |
| 63 | 2-45416 | seat bar, CW (17 ½") – black | 2 |
| - | 2-50609 | #14 x ¾ Pan Head Screw | 6 |
| 65 | 14786 | Seatbelt, retractable without sleeve | 2 |
| - | 8375 | Seatbelt plastic sleeve - 7" length | 2 |
| - | 2-50025 | 7/16 Nylock | 4 |
| 70 | 2-18356 | Dump Bed UTV Plastic | 1 |
| - | 2-50255 | 5/8 x 4" bolt Zinc plate | 2 |
| - | 2-50015 | 5/8 nylock | 2 |
| - | 2-18413 | Bed Bumper 3/8" Rubber | 2 |
| 73 | 2-50208 | Bed latch bolt, 3/8 x 2 1/2" | 1 |
| - | 2-50013 | nut, 3/8 keps | 2 |
| - | 2-50740 | washer, 3/8 flat | 2 |

NOTE: parts denoted as left or right hand are from driver's point of view.

| REFERENCE NUMBER | PART NUMBER | PART DESCRIPTION | QUANTITY REQUIRED |
|------------------|-------------|--|-------------------|
| 75 | 2-18357 | Dump Bed Tailgate UTV Plastic | 1 |
| 80 | 2-18328 | Roof, Black Textured | 1 |
| - | 2-18390 | Roof, Hardware bolt kit | |
| - | 2-50847 | Clamp-Tube-vinyl coated 1-3/4" | 4 |
| - | 2-50087 | bolt, 1/4" x 1 | 4 |
| - | 2-50718 | Washer, 1/4" rubber domed | 4 |
| - | 2-50001 | nut, 1/4" nylock | 4 |
| 85 | 2-18411 | Windshield - clear | |
| - | 2-18403 | Fastener kit, windshield | |
| 88 | 2-40723 | Front receiver hitch kit | |
| 101 | 2-20012 | Engine, Honda 390cc | 1 |
| - | 2-50202 | 3/8-16 x 1 3/4" Hex Hd Bolt | 4 |
| - | 2-50740 | 3/8" Flat washer, USS | 4 |
| 102 | 2-20833 | Dana Transaxle | 1 |
| - | 2-70057 | Neutral Safety Switch | 1 |
| - | 2-51500 | Shims – Neutral Safety Switch | |
| 103 | 2-45423 | Swing arm, CW - Black | 1 |
| 104 | 2-45430 | Motor Plate, CW - Black | 1 |
| 105 | 2-18023 | Throttle Guard Laser | 1 |
| - | 2-50086 | 1/4-20 x 1 1/4" Hex Hd Bolt | 3 |
| - | 2-50082 | 1/4-20 x 2 1/4" Hex Hd Bolt | 1 |
| - | 2-50000 | 1/4" Keps Nut | 5 |
| - | 2-50715 | 1/4" Flatwasher, USS | 8 |
| - | 2-20665 | TC, Driver CVTECH (used after Serial Number # 25658) (parts list on page 5) | 1 |
| - | 2-20666 | TC, Driven CVTECH (used after Serial Number # 25658) (parts list on page 6) | 1 |
| 109 | 16279 | Brake Shoes - Rear UTV – Dana (kit includes 4 shoes to cover both rear wheels) | 1 |
| 109b | 2-11191 | Brake Drum Replacement #012WA123 | 2 |
| 111 | 2-10190 | 3/16 x 1/4 x 1-1/2" Keystock (for use with CV Tech driver pulley) | 1 |
| - | 2-20694 | Belt, CV TECH – used after Serial Number # 25658 | 1 |
| 116 | 2-50239 | 1/2 x 2" SAE | 1 |
| 117 | 2-50722 | 1/2" Lock Washer | 1 |
| - | 2-50721 | 1/2" Uss Flat Washer | 1 |
| 118 | 2-10191 | 3/16 x 3/16 x 3-1/4" Keystock (for use with CV Tech driven pulley) | 1 |
| 119 | 2-45431 | Tension Mount Engine, CW - Black | 1 |
| - | 2-50157 | 5/16x 3/4" Bolt Hex Hd NF | 2 |
| - | 2-50703 | 5/16" Lock Washer | 2 |
| - | 2-50704 | 5/16" Flatwasher | 2 |
| 120 | 2-70251 | Rubber Feet (Isolators)* SEE NOTE ON NEXT PAGE | 4 |
| 120a | 2-70252 | Rubber Feet (Isolator)* SEE NOTE ON NEXT PAGE | 1 |
| - | 2-50010 | 3/8 Nylock Nut | 10 |
| - | 2-50740 | 3/8 Flatwasher USS | 5 |
| 121 | 2-10583 | Rod End Sphcl-UTV (4681-MPM-12) | 3 |
| 122 | 2-50021 | 3/4 Jam nut SAE | 3 |
| 123 | 2-42093 | Panhard bar, CW - black | 1 |
| 124 | 2-50206 | bolt, 3/8 x 1 | 4 |
| - | 2-50010 | 3/8" Nylock Nut | 4 |
| - | 2-50740 | 3/8" Flatwasher, USS | 4 |
| 125 | 2-50730 | 3/4' Spacer Washer | 6 |
| 126 | 2-50280 | 3/4 x 2.5 SAE bolt | 3 |
| 127 | 2-50020 | 3/4 SAE nylock | 3 |

NOTE: parts denoted as left or right hand are from driver's point of view.

| REFERENCE NUMBER | PART NUMBER | PART DESCRIPTION | QUANTITY REQUIRED |
|---|-------------|---|-------------------|
| 128 | 2-18012 | shifter lever, CW - black | 1 |
| - | 2-50084 | 1/4-20 x 3/4" Hex Hd Bolt | 1 |
| - | 2-50000 | 1/4" Keps Nut | 2 |
| 129 | 2-18011 | shifter cable mount, CW - black (used after Serial Number #15245) | 1 |
| - | 2-50000 | 1/4" Keps Nut | 1 |
| - | 2-50715 | 1/4" Flatwasher, USS | 2 |
| 130 | 2-11103 | Brake Cables | 2 |
| - | 2-50150 | 5/16-18 x 1" Hex Hd Bolt | 2 |
| - | 2-50007 | 5/16" Nylock Nut | 2 |
| 131 | 2-11010 | Throttle Cable, UTV | 1 |
| - | 2-50087 | 1/4-20 x 1" Hex Hd Bolt | 1 |
| - | 2-50000 | 1/4" Keps Nut | 2 |
| - | 2-11804 | Spring #80704 Black painted | 1 |
| 132 | 2-11084 | Differential Cable All 2WD models (before serial #22187) | 1 |
| - | 2-50087 | 1/4-20 x 1" Hex Hd Bolt | 1 |
| - | 2-50000 | 1/4" Keps Nut | 2 |
| - | 2-50159 | 5/16-18 x 1 1/2" Hex Hd Bolt | 1 |
| - | 2-50005 | 5/16" Keps Nut | 2 |
| 132 | 2-11084 | Differential Cable All 2WD models (before serial #22187) | 1 |
| - | 2-45522 | Differential Control Assembly with cable (all models after serial # 22187) | 1 |
| - | 2-11094 | Differential Control Cable Only (used on all models after serial # 22187) | 1 |
| - | 2-50087 | 1/4-20 x 1" Hex Hd Bolt | 1 |
| - | 2-50000 | 1/4" Keps Nut | 2 |
| - | 2-50159 | 5/16-18 x 1 1/2" Hex Hd Bolt | 1 |
| - | 2-50005 | 5/16" Keps Nut | 2 |
| - | 2-11092 | Knob, Differential Imprinted | 1 |
| - | 2-50053 | nut, #10-24 Keps nut | 2 |
| - | 2-50616 | screw, #10-24 X 3/4" Pan Head phillips | 2 |
| - | 2-50770 | Washer, #10 flat | 2 |
| 133 | 2-11804 | Spring #80704 Black painted | 1 |
| 135 | 2-11080 | Shifter Cable and Shifter Control - used before Serial Number #15244 | 1 |
| - | 2-11082 | Cable, shifter - used after Serial Number #15245 | 2 |
| 136 | 2-65500 | fuel hose 3/16" dia - 24" | 1 |
| 137 | 2-50849 | hose clamps - small | 3 |
| 138 | 2-18313 | Belt Guard Plastic UTV - Front | 1 |
| 139 | 2-18314 | Belt Guard Plastic UTV - Rear | 1 |
| 140 | 2-18315 | Belt Guard Plastic UTV - Bottom | 1 |
| - | 2-50624 | #10 x 3/4" Blunt Point Black | 7 |
| - | 2-50050 | #10 Speed Nut - for Plastic | 7 |
| - | 2-50770 | #10 Flat washer | 7 |
| 141 | 2-20011 | Choke Bracket Honda Engine | 1 |
| ADDITIONAL PARTS FOR "S" MODELS WITH STEEL BED / REAR FLIPSEAT | | | |
| - | 2-45424 | Steel Bed Black | 1 |
| - | 2-45425 | Steel Tailgate Black | 1 |
| - | 2-70230 | Rubber, Bumper – Dome - Large | 2 |
| - | 2-55094 | Flip Seat Kit-UTV | 1 |

* On single cylinder models, quantity 5 of 2-70250 was replaced by quantity 4 of 2-70251 and 1 of 2-70252 on 6/1/2012. The 4 of the 2-70251 go under the engine and the 1 of the 2-70252 goes in the vertical mount. We do not recommend replacing only one bushing and that all four bushings should be replaced together.

NOTE: parts denoted as left or right hand are from driver's point of view.

pub. 06/19/17

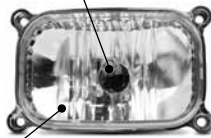
HEADLIGHT REPLACEMENT BULBS AND ASSEMBLIES FOR ASW UTILITY VEHICLES



Bulb: p/n 2-70127

Assembly: p/n 2-70129
(5 1/4" oval)

Bulb: p/n 2-70127



Assembly: p/n 2-70133
(4 3/8" rectangle)



Bulb: p/n 2-70127

Assembly: p/n 15648
(3 1/4" Round)



Bulb: Sealed housing
no bulb available

Assembly: p/n 14768
(4" round)

Light assembly: p/n 2-70158
(5" round)

Amber reflector: p/n 14784
(2 1/4" Round)

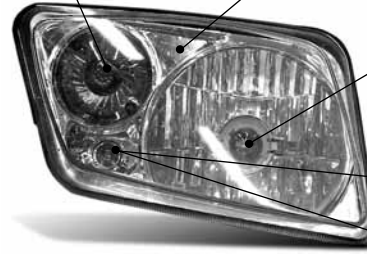


Bulb: p/n 2-70122

Plastic insert: p/n "Driver Side" 15944 (inner bezel)
15946 (outer bezel)

Plastic insert: p/n "Passenger Side" 15943 (inner bezel)
15945 (outer bezel)

Bulb: p/n 15304
Light assembly: p/n 2-70153 (driver side)
Light assembly: p/n 2-70154 (passenger side)



Bulb: p/n 2-70146

Twist-in Bulb:
Sylvania 1891 or equivalent



Depending on your year of manufacture,
this housing either has a "push-in" or "twist-in" bulb



Push-in Bulb:
Sylvania 2825 or equivalent

Measurements are taken from left to right of the visible portion of the lens



7625 DiSalle Boulevard
Fort Wayne IN 46825

62194 Commercial Street
Roseland, LA 70456

Toll Free 800-643-7332
Fax 800-399-1399
www.amsportworks.com