



**AMERICAN
SPORTWORKS®**

800-643-7332 • amsportworks.com

CW413 / TW413

WITH 390cc HONDA ENGINE



390CC 4 WHEEL DRIVE UTILITY VEHICLE

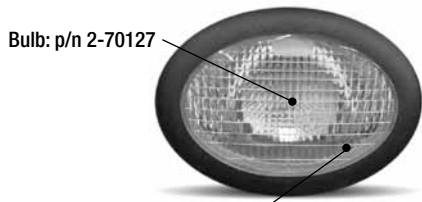
ILLUSTRATED PARTS LIST



NOTE:

Some part numbers vary by serial number.
The serial number is located on a brass tag
beneath the dump bed on the driver side.

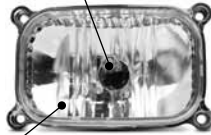
HEADLIGHT REPLACEMENT BULBS AND ASSEMBLIES FOR ASW UTILITY VEHICLES



Bulb: p/n 2-70127

Assembly: p/n 2-70129
(5 1/4" oval)

Bulb: p/n 2-70127



Assembly: p/n 2-70133
(4 3/8" rectangle)



Bulb: p/n 2-70127
Assembly: p/n 15648
(3 1/4" Round)



Bulb: Sealed housing
no bulb available
Assembly: p/n 14768
(4" round)

Light assembly: p/n 2-70158
(5" round)

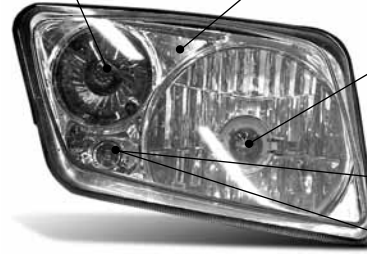
Amber reflector: p/n 14784
(2 1/4" Round)

Bulb: p/n 2-70122



Plastic insert: p/n "Driver Side" 15944 (inner bezel)
15946 (outer bezel)
Plastic insert: p/n "Passenger Side" 15943 (inner bezel)
15945 (outer bezel)

Bulb: p/n 15304
Light assembly: p/n 2-70153 (driver side)
Light assembly: p/n 2-70154 (passenger side)



Bulb: p/n 2-70146

Twist-in Bulb:
Sylvania 1891 or equivalent



Depending on your year of manufacture,
this housing either has a "push-in" or "twist-in" bulb



Push-in Bulb:
Sylvania 2825 or equivalent

Measurements are taken from left to right of the visible portion of the lens

7625 DiSalle Boulevard
Fort Wayne IN 46825

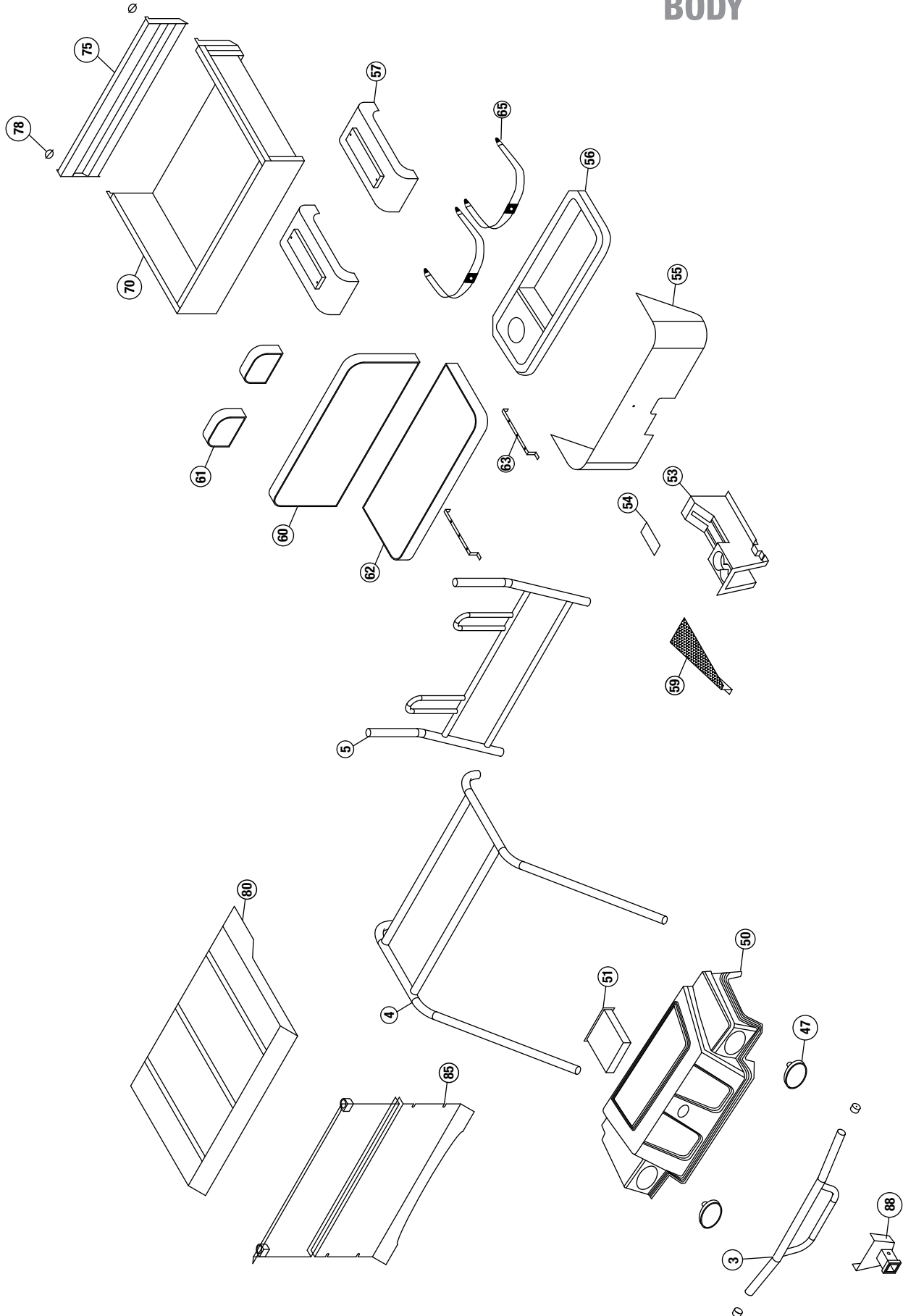
Toll Free 800-643-7332
www.amsportworks.com

62194 Commercial Street
Roseland, LA 70456

NOTE: parts denoted as left or right hand are from driver's point of view.

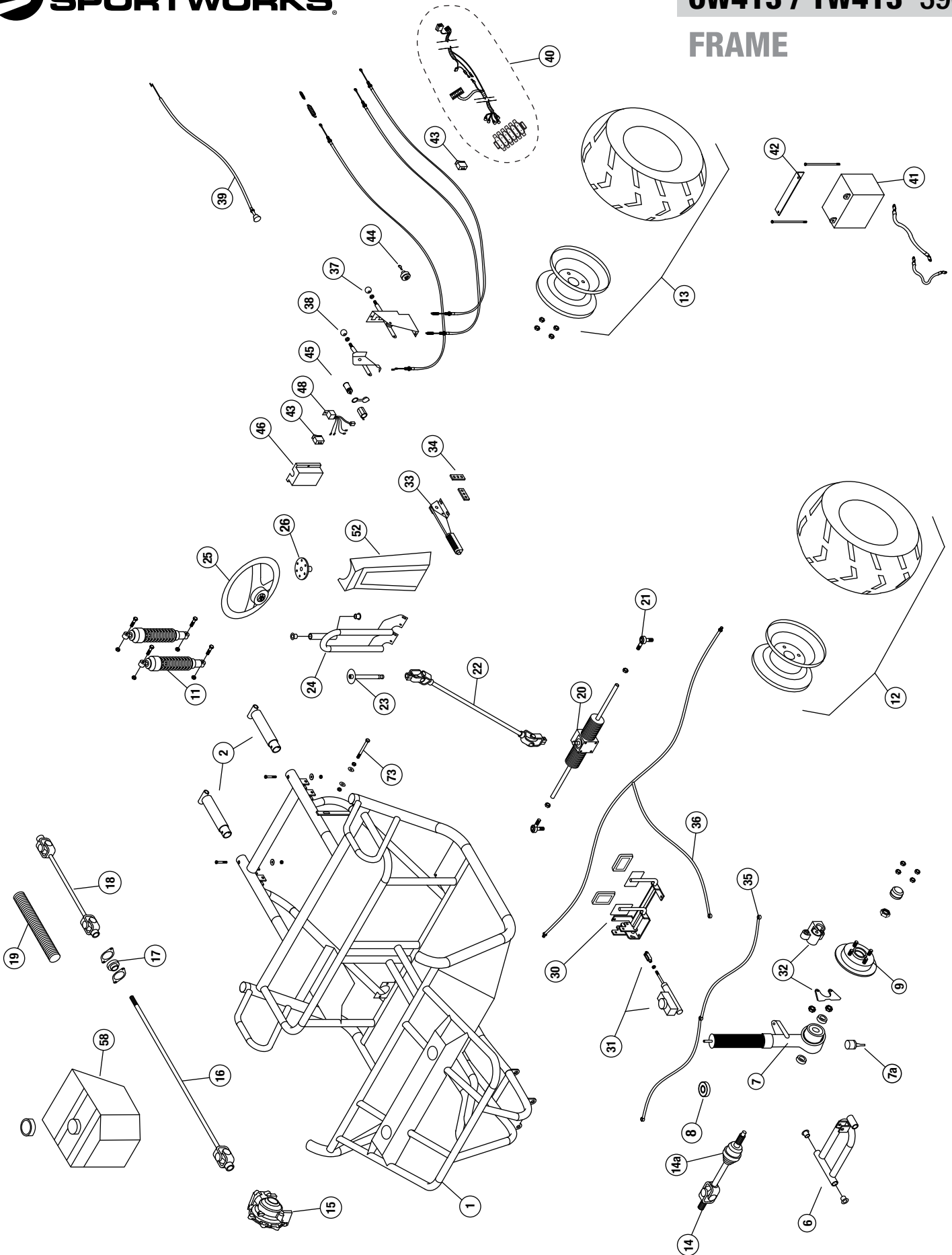
pub. 01/24/18

BODY



NOTE: parts denoted as left or right hand are from driver's point of view.

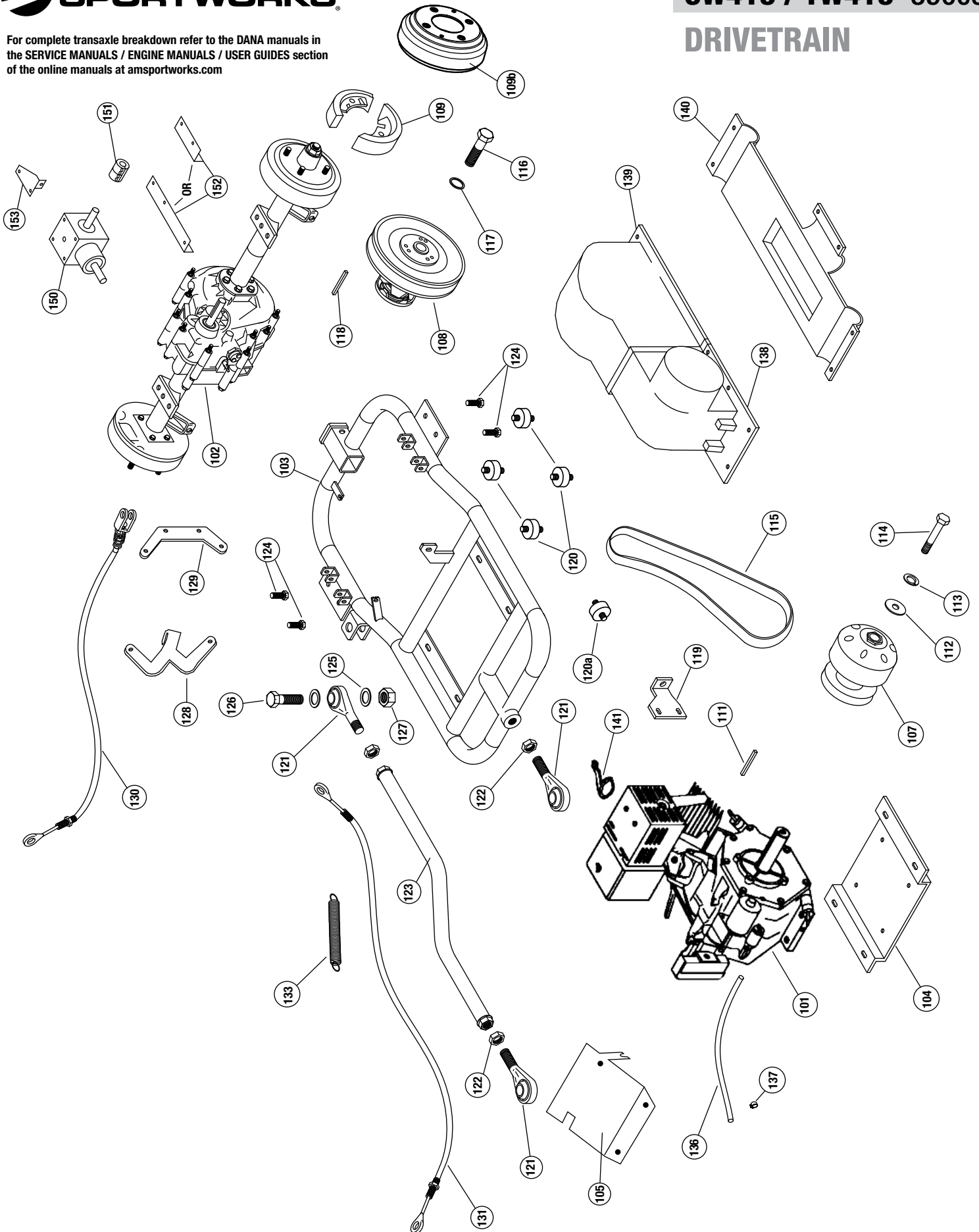
FRAME



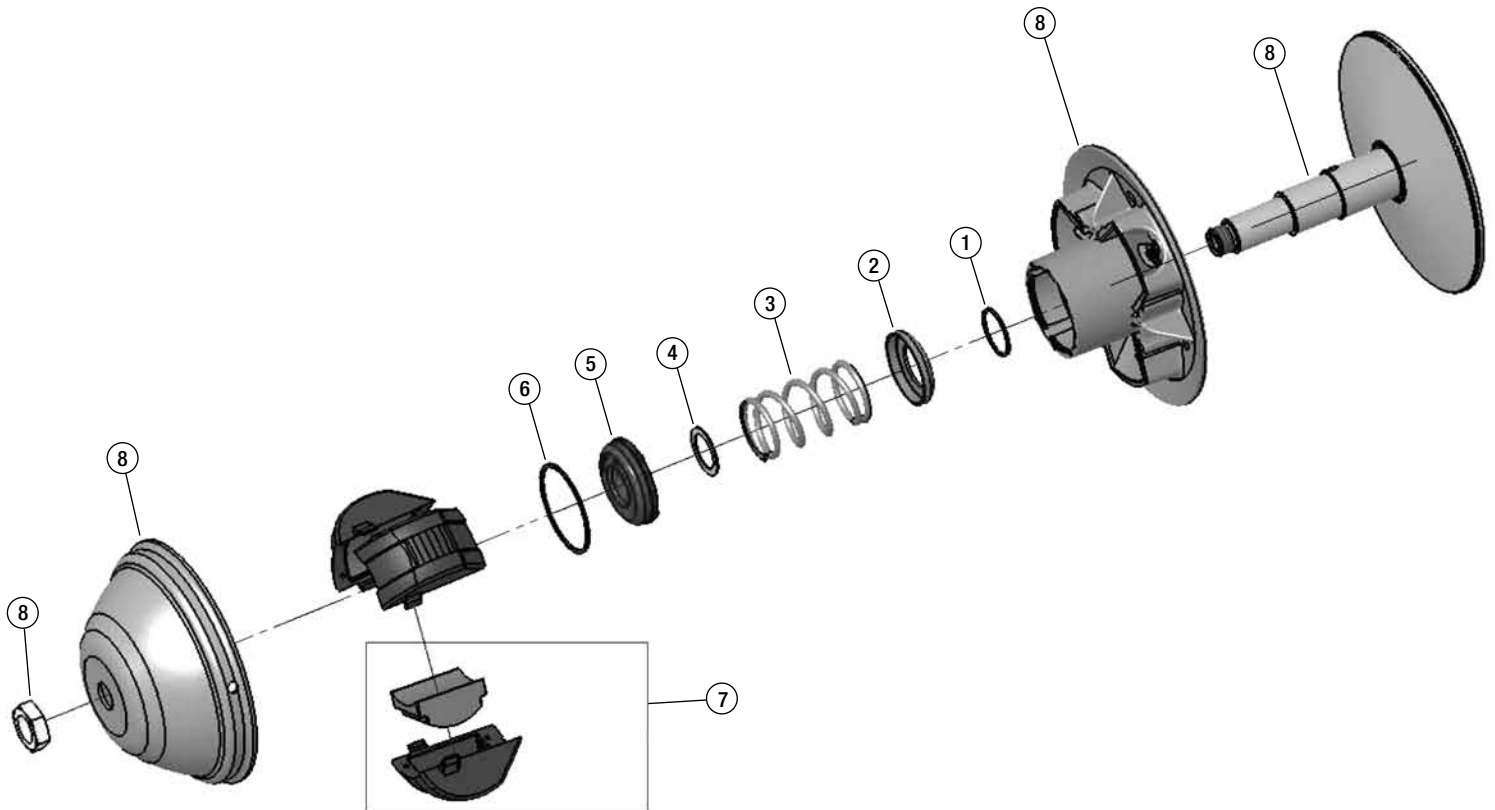
NOTE: parts denoted as left or right hand are from driver's point of view.

For complete transaxle breakdown refer to the DANA manuals in the SERVICE MANUALS / ENGINE MANUALS / USER GUIDES section of the online manuals at amsportworks.com

DRIVETRAIN



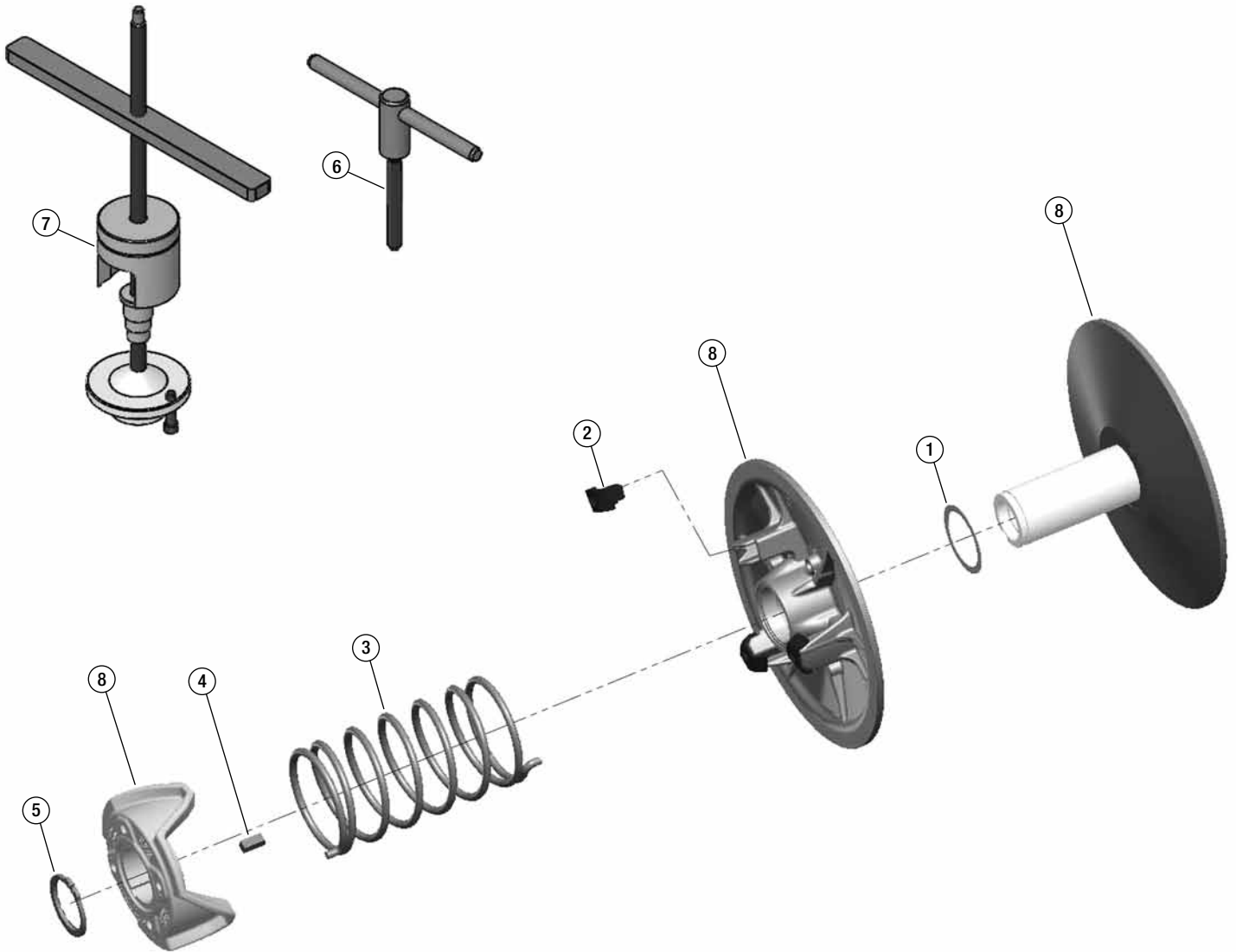
NOTE: parts denoted as left or right hand are from driver's point of view.



Ref#	Part#	Description	Qty
1	16374	WASHER	1
2	16375	SPRING GUIDE	1
3	16376	SPRING	1
4	16377	SHIM	1
5	16378	EXTERNAL BUSHING	1
6	16379	INTERNAL SNAP RING	1
7	16389	CENTRIFUGAL MASS	3
8	2-20665	THIS PART IS ONLY AVAILABLE WITH THE ENTIRE ASSEMBLY	



ENTIRE ASSEMBLY (2-20665)



Ref#	Part#	Description	Qty
1	16390	WASHER	1
2	16391	CAM SHOE	3
3	16392	SPRING	1
4	16385	KEY	1
5	16386	EXTERNAL RETAINING RING	1
6	16387	DISASSEMBLY TOOL	1
7	16388	FLANGE SPREADER	1
8	2-20666	THIS PART IS ONLY AVAILABLE WITH THE ENTIRE ASSEMBLY	



ENTIRE ASSEMBLY (2-20666)

REFERENCE NUMBER	PART NUMBER	PART DESCRIPTION	QUANTITY REQUIRED
1	-	Frame, CW413 - 4x4	1
2	2-45401	Rear frame stub, CW - black	2
-	2-50168	5/16 x 2-1/4" USS Socket Head bolt	2
-	2-50007	nut, 5/16 nylock	2
-	2-50702	bent washer 5/16	2
3	2-45413	Bumper, CW - black	1
-	2-45433	Bumper, Trail Wagon – with grill guard - Black	
-	2-50167	bolt, 5/16 x 2	4
-	2-50007	nut, 5/16 nylock	4
-	2-50702	bent washer 5/16	4
-	2-70210	Vinyl Caps 1 3/4 x 1 1/2	2
4	2-45412	Brush guard roof, CW - black	1
-	2-50168	5/16 x 2-1/4" USS Socket Head bolt	4
-	2-50007	nut, 5/16 nylock	4
-	2-50702	bent washer 5/16	4
5	2-45411	Brush guard seat back, CW - black	1
-	2-50168	5/16 x 2-1/4" USS Socket Head bolt	2
-	2-50007	nut, 5/16 nylock	2
-	2-50702	bent washer 5/16	2
6	2-43007	A-arm 4x4, CW – black (left or right)	2
-	2-51102	suspension bushings	2 ea
-	2-50266	bolt, 5/8 x 9 1/2"	1 ea
-	2-50015	Nut, 5/8 nylock	1 ea
-	2-45150	Spacer/CW A-arm bushing-4x4	
7	2-25001	Strut assembly, left	1
-	2-25009	Strut assembly, right	1
-	2-50028	Nut, 7/16 NF jam	2
-	2-50041	Nut, 3/8 NF slotted	2
-	2-50801	cotter pin 1/8" x 1	2
7a	2-25020	Lower ball joint	2
8	2-25003	strut bearing	2
-	2-50163	bolt, 5/16 x 3/4" NC	8
-	2-50005	Nut, 5/16 keps	8
9	2-25002	Hub / rotor 4x4	2
-	2-25021	72mm bearing	
-	2-25018	Wheel stud, 1/2 -20 X 1 5/8"	
-	2-50040	Nut, 5/8 NF slotted	2
-	2-30621	cotter pin	2
-	2-30623	Metal Dust Cap (Front Only)	2
-	2-70209	Rubber Dust Cap (Rear Only)	2
-	2-50060	Lug nuts, 1/2"	16
11	2-70301	Shock, Heavy duty, Black/Yellow (Before Serial #52767)	4
-	2-70302	Shock, Heavy duty, Black (After Serial #52767)	
-	2-50400	Bolt, 10 mm x 40mm	6
-	2-50404	10 mm x 70mm bolt	2
-	2-50065	Nut, 10mm nylock	8
-	2-45150	spacer, shock	2
12L	2-30122	Rim/Tire Assembly, UTV 22/9-10" Left	1
12R	2-30123	Rim/Tire Assembly, UTV 22/9-10" Right	1
-	2-30480	Wheel rim, 10" x 6"	

NOTE: parts denoted as left or right hand are from driver's point of view.

REFERENCE NUMBER	PART NUMBER	PART DESCRIPTION	QUANTITY REQUIRED
-	2-30195	Tire, Pathfinder 22/9-10"	
13L	2-30124	Rim/Tire Assembly, UTV 22/11-10" Left	1
13R	2-30125	Rim/Tire Assembly, UTV 22/11-10" Right	1
-	2-30480	Wheel rim, 10" x 6"	
-	2-30194	Tire, Pathfinder 22/11-10"	
14	2-20851	CV half shaft (axle) – (Left or Right)	2
14a	----->	CV Boot (P/N 2-20868 fits 2.5" bell / 2-20873 fits 3" bell)	
-	16175	Circlip, 24.5 x 1.6	2
15	2-20839	front differential – 4x4	1
-	2-20848	Hilliard Front Differential Replacement Oil "8oz bottle Mobile Fluid 424"	1
-	2-50206	Bolt, 3/8 x 1	4
-	2-50740	washer, 3/8 flat	4
-	2-50741	washer, 3/8 lock	4
16	2-25006	drive shaft, front (used before serial #31586)	1
-	2-25015	CV Front Drive Shaft (used after serial# 31586)	1
-	2-50092	bolt, 1/4 x 2"	2
-	2-50000	nut, 1/4 keps	2
17	2-25008	bearing, shaft support (used before serial #31586)	1
-	2-25010	4x4, Drive shaft bearing-pillow block style (used after serial # 31586)	1
-	2-50163	bolt, 5/16 x 3/4" NC	2
-	2-50005	Nut, 5/16 keps	2
18	2-25007	drive shaft, rear telescoping (used before serial #31586)	1
-	2-25016	CV Rear Drive Shaft (used after serial# 31586)	1
-	2-50631	Screw, 3/8" – 16 x 1/2" square head set	2
-	2-10184	key, 3/16 x 1	3
19	2-20804	convoluted tubing	17 inch
20	2-10591	Rack & pinion with rod ends 4x4	1
-	2-10593	Rack & Pinion Boots	2
-	2-50171	Bolt, 5/16 x 3 3/4" USS	4
-	2-50005	Nut, 5/16 keps	4
21	2-10594	Rod end 4x4 (used before serial # 27782)	2
-	2-10589	Rod end 4x4 (used after serial # 27783)	2
-	2-10595	Tie rod 4x4	2
-	2-10593	Rack boot	2
22	2-10592	Steering Shaft w/u-joints 4x4	1
-	2-50402	Bolt, 10mm x 30mm	1
-	2-50066	Nut, 10mm Tri Lock Jam	1
-	2-50403	Bolt, 8mm x 30mm	1
-	2-50780	Lock washer, 8mm	1
23	2-45422	Steering Stub Shaft Assembly, CW - Black	1
24	2-45400	Steering support, CW - black	1
-	2-51102	suspension bushings	2 ea
-	2-50152	bolt, 5/16 x 1	4
-	2-50005	Nut, 5/16 keps	4
25	14845	Steering Wheel (used for serial number 48598 and above)	1
-	14846	Center cap (used for serial number 48598 and above)	1
-	2-10508	Center cap (used for serial number 48598 and below)	1
-	2-10509	Steering Wheel (used for serial number 48598 and below)	1
26	2-18169	Steering Washer	1
-	2-50636	Bolt, 1/4 x 3/4 SS Socket Head	6

NOTE: parts denoted as left or right hand are from driver's point of view.

REFERENCE NUMBER	PART NUMBER	PART DESCRIPTION	QUANTITY REQUIRED
-	2-50001	Nut, 1/4 nylock	6
-	2-50098	Tapered Bolt	1
30	2-42106	Pivot Pedal Asm, Black	1
-	2-70261	Pedal cover, rubber	2
-	2-50152	bolt, 5/16 x 1	6
-	2-50081	bolt, 1/4 x 1 3/4"	1
-	2-50159	bolt, 5/16 x 1 1/2	1
-	2-50005	Nut, 5/16 keps	8
-	2-50701	Washer, 5/16 flat	2
31	2-11120	master cylinder	1
-	2-50167	bolt, 5/16 x 2	2
-	2-50005	Nut, 5/16 keps	2
-	2-50806	Clevis, 5/16 rod end	1
-	2-50077	Nut, 5/16" Hex SAE	1
32	2-11124	brake caliper	2
-	2-11167	brake pads (2 pads required per wheel)	4
-	2-11168	brake pins	4
-	2-11169	brake clips	4
-	2-50826	Spacer Lock collar, 3/8	4
-	2-50217	bolt, 3/8 x 1 1/2	4
-	2-50013	nut, 3/8 keps	4
-	2-18030	caliper bracket	2
33	2-11127	Parking Brake	1
-	2-50086	Bolt, 1/4 x 1 1/4	1
-	2-50001	nut, 1/4" nylock	1
-	2-50163	bolt, 5/16 x 3/4" NC	4
-	2-50005	Nut, 5/16 keps	4
-	2-50701	Washer, 5/16 flat	4
34	2-18038	Brake spreader	2
-	2-50152	bolt, 5/16 x 1	4
-	2-50007	nut, 5/16 nylock	1
35	2-11135	Brake hose, front	1
36	2-11136	Brake hose, rear	1
37	2-45522	Shifter control assembly, black	1
-	2-11093	Knob	1
-	2-11082	Cable, shifter	2
-	2-50053	nut, #10-24 Keps nut	2
-	2-50616	screw, #10-24 X 3/4" Pan Head phillips	2
-	2-50770	Washer, #10 flat	2
38	2-11086	Differential Control Assy - 4x4 Diff Control w/ cable	1
-	2-11092	Knob	1
-	2-11094	cable, diff lock	1
-	2-50053	nut, #10-24 Keps nut	2
-	2-50616	screw, #10-24 X 3/4" Pan Head phillips	2
-	2-50770	Washer, #10 flat	2
-	2-50087	1/4-20 x 1" Hex Hd Bolt	1
-	2-50000	1/4" Keps Nut	2
-	2-50159	5/16-18 x 1 1/2" Hex Hd Bolt	1
-	2-50005	5/16" Keps Nut	2
39	2-11053	Choke Cable	1

NOTE: parts denoted as left or right hand are from driver's point of view.

REFERENCE NUMBER	PART NUMBER	PART DESCRIPTION	QUANTITY REQUIRED
40	2-70012	Wire Harness	1
41	2-70000	Battery, U1L-HDJ7-UTV - 360CCA	1
-	2-70002	Battery Cable, Red - 19"	1
-	2-70010	Battery Cable, Black (27")	1
-	2-70009	Battery Terminal Cover	2
-	2-50087	bolt, 1/4" x 1	2
-	2-50000	nut, 1/4" keps	2
-	2-50000	nut, 1/4" keps	2
42	2-45414	Battery strap, CW (8 3/4") - black	1
-	2-50083	bolt, 1/4 x 7 1/2	2
-	2-50002	nut, 1/4" wing	2
43	2-70066	Light Switch / 4x4 switch	2
44	2-70052	Key Switch (keys not included) USED ON VEHICLES MANUFACTURED BEFORE SERIAL NUMBER 58843	1
-	2-70060	Key USED ON VEHICLES MANUFACTURED BEFORE SERIAL NUMBER 58843	1
45	2-70080	Accessory Plug	1
-	2-70081	Accessory Plug cap	1
46	2-18500	Terminal Block Cover - plastic	1
-	2-50625	screw, #10-24 X 1" Pan Head phillips	2
-	2-50053	nut, #10-24 Keps nut	2
47	SEE PAGE 2 FOR HEADLIGHT INFORMATION		
-	2-70055	Switch Headlights	1
48	2-70019	Relay w/harness, 4x4	1
50	2-18380	Hood, plastic - 4x4 (green)	1
-	2-18384	Hood, plastic - 4x4 (camo)	1
-	2-18381	Hood, plastic - 4x4 (red)	1
-	2-50620	1/4" X 1 1/4" Pan phillips Machine screw	2
-	2-50621	1/4" X 2" Pan phillips Machine screw	2
-	2-50717	1/4" SAE Flat washer	8
-	2-50001	nut, 1/4" nylock	4
-	2-50846	Clamp-Tube-vinyl coated 1-1/4"	2
51	2-18309	Glove Box	1
-	2-50624	Screw, #10 x 3/4 hex - black	5
52	2-18308	Steering Cover	1
-	2-50624	Screw, #10 x 3/4 hex - black	1
-	2-18317	Steering Cover Bottom	1
53	2-18383	Center Console 4x4	1
-	2-50624	Screw, #10 x 3/4 hex - black	14
54	2-18316	Access Cover, Center Console	1
-	2-50624	Screw, #10 x 3/4 hex - black	4
55	2-18382	Plastic, Seat Bottom wrap 4x4	1
-	2-50624	Screw, #10 x 3/4 hex - black	5
56	2-18355	Underseat storage box	1
57	2-18303	Rear Fender, Universal	2
-	2-70150	Reflectors	2
-	2-50091	1/4"-20 X 3/4" Carriage bolt	4
-	2-50717	1/4" SAE Flat washer	4
58	2-55069	Fuel Tank, Flambeau (used on units BEFORE serial number 58908)	1
-	2-55077	Fuel Tank, QMI (used on units AFTER serial number 58908)	1
-	15698	Clamp, 3/8 Spring Tube	1
-	2-65503	UTV, Fuel Line 3/16" black	1

NOTE: parts denoted as left or right hand are from driver's point of view.

REFERENCE NUMBER	PART NUMBER	PART DESCRIPTION	QUANTITY REQUIRED
-	2-55063	Elbow Fuel Inlet with #200 Mesh Screen	1
-	2-55062	Fuel Fitting Grommet	1
-	2-55073	Fuel Tank Cap (used with Flambeau fuel tank)	1
-	2-55066	Fuel Tank Cap (used on units AFTER serial number 58908 with QMI opaque fuel tank)	1
-	2-55071	Fuel Tank Straps	2
-	2-50010	Nut, 3/8 Nylock	4
-	2-50740	Washer, 3/8 Flat	4
-	2-50163	bolt, 5/16 x 3/4" NC	3
-	2-50706	Washer, 5/16 fender	3
-	2-50703	Washer, 5/16 lock	3
59	2-18033	Shaft guard	1
-	2-50163	bolt, 5/16 x 3/4" NC	3
-	2-50005	Nut, 5/16 keps	4
-	2-50171	Bolt, 5/16 x 3 3/4" USS	1
-	2-10001	tube, 1" 14ga	1
60	2-10771	Seat back – BLACK & GREY	1
60	2-10754	Seat back – BLACK	1
-	2-50619	#14 X 1-3/4" Pan head-Tapping screw	6
61	2-10773	Headrest – BLACK & GREY	2
61	2-10803	Headrest – BLACK	2
-	2-50085	bolt, 1/4 x 1 1/2"	4
62	2-10772	Seat bottom – BLACK & GREY	1
62	2-10755	Seat bottom – BLACK	1
63	2-45416	seat bar, CW (17 1/2") - black	2
-	2-50609	#14 x 3/4 pan head tapping	6
65	2-10705	Seat Belt, 2pt	2
-	2-50025	7/16 Nylock	4
70a	2-45426	Cargo Bed, Green	1
-	2-45420	Cargo Bed, Red	1
-	2-45424	Cargo Bed, Black	1
-	2-18352	Camo Bed Panel Left	1
-	2-18353	Camo Bed Panel Right	1
-	2-18354	Camo Bed Panel Tail Gate	1
70b	2-18356	Dump Bed UTV Plastic	1
-	2-50255	5/8 x 4" bolt Zinc plate	2
-	2-50015	5/8 nylock	2
73	2-50208	Bed latch bolt, 3/8 x 2 1/2"	1
-	2-50013	nut, 3/8 keps	2
-	2-50740	washer, 3/8 flat	2
75a	2-45427	Tail gate, green	1
-	2-45421	Tail gate, Red	1
-	2-45425	Tail gate, Black	1
75b	2-18357	Dump Bed Tailgate UTV Plastic	1
-	2-50152	bolt, 5/16 x 1	2
-	2-50701	washer, 5/16 sae	4
-	2-50007	nut, 5/16 nylock	2
-	2-70230	rubber bump stops	4
-	2-18423	Bed Bumper 3/8" Rubber	2
78	2-50815	1/4" Lynch Pin - tailgate latch	2
80	2-18312	Roof, green	1

NOTE: parts denoted as left or right hand are from driver's point of view.

REFERENCE NUMBER	PART NUMBER	PART DESCRIPTION	QUANTITY REQUIRED
-	2-18301	Roof, Red	1
-	2-18351	Roof, Camo	1
-	2-18391	Roof, Top Vinyl Trim	1
-	2-18390	Roof, Hardware bolt kit	
-	2-50847	Clamp-Tube-vinyl coated 1-3/4"	4
-	2-50087	bolt, 1/4" x 1	4
-	2-50717	1/4" SAE Flat washer	4
-	2-50001	nut, 1/4" nylock	4
-	2-50718	Washer, 1/4" Rubber Domed	4
85	2-18400	Windshield - clear (for "lo-rise" hoods)	
-	2-18403	Fastener kit, windshield	
88	2-40729	Front receiver hitch 4x4 kit	1
-	2-50162	Bolt, 5/16 x 1-3/8 - U	4
-	2-50704	Washer, 5/16 Flat	8
-	2-50007	Nut, 5/16 Nylock	8
101	2-20012	Engine, Honda 13hp	1
-	2-50202	3/8-16 x 1 3/4" Hex Hd Bolt	4
-	2-50740	3/8" Flatwasher, USS	4
102	2-20838	Dana Transaxle 4x4	1
103	2-45502	Swing arm, CW - Black 4x4	1
104	2-45430	Motor Plate, CW - Black	1
105	2-18023	Throttle Guard Laser	1
-	2-50086	1/4-20 x 1 1/4" Hex Hd Bolt	3
-	2-50082	1/4-20 x 2 1/4" Hex Hd Bolt	1
-	2-50000	1/4" Keps Nut	5
-	2-50715	1/4" Flatwasher, USS	8
107	2-20648	TC, Driver Comet 500 (used before Serial Number #25663)	1
-	2-20665	TC, Driver CVTECH (used after Serial Number #25663) (parts list on page 6)	1
108	2-20649	TC, Driven Comet 500 (used before Serial Number #25663)	1
-	2-20666	TC, Driven CVTECH (used after Serial Number #25663) (parts list on page 7)	1
109	2-11173	Brake Shoes - Rear 4WD UTV – Dana (1 set per wheel)	2
109b	2-11191	Brake Drum Replacement #012WA123	2
110	2-50745	1" I.D. Spacer Washer– Comet only (not used with CV Tech pulley)	4
111	2-10190	3/16 x 1/4 x 1-1/2" Keystock (for use with CV Tech driver pulley)	1
112	2-50742	3/8" I.D. Fender Washer– Comet only (not used with CV Tech pulley)	1
113	2-50741	3/8" Lock Washer– Comet only (not used with CV Tech pulley)	1
114	2-50219	3/8x 3" Bolt Hex Hd NF– Comet only (not used with CV Tech pulley)	1
115	2-20693	Belt, Comet 300668 (used before Serial Number # 25663)	1
-	2-20694	Belt, CV TECH (used after Serial Number # 25663)	1
116	2-50239	1/2 x 2" SAE	1
117	2-50722	1/2" Lock Washer	1
-	2-50721	1/2" Uss Flat Washer	1
118	2-10191	3/16 x 3/16 x 3-1/4" Keystock (for use with CV Tech driven pulley)	1
-	2-10186	3/16 x 3/16 x 2-3/4" Keystock (for use with Comet driven pulley before serial number #25663)	1
119	2-45431	Tension Mount Engine, CW - Black	1
-	2-50157	5/16x 3/4" Bolt Hex Hd NF	2
-	2-50703	5/16" Lock Washer	2
-	2-50704	5/16" Flatwasher	2
120	2-70251	Rubber Feet (Isolators)* SEE NOTE ON NEXT PAGE	4
120a	2-70252	Rubber Feet (Isolator)* SEE NOTE ON NEXT PAGE	1

NOTE: parts denoted as left or right hand are from driver's point of view.

REFERENCE NUMBER	PART NUMBER	PART DESCRIPTION	QUANTITY REQUIRED
-	2-50010	3/8 Nylock Nut	10
-	2-50740	3/8 Flatwasher USS	5
121	2-10583	Rod End Sphcl-UTV (4681-MPM-12)	3
122	2-50021	3/4 Jam nut SAE	3
123	2-42093	Panhard bar, CW - black 4x4	1
124	2-50206	bolt, 3/8 x 1	4
-	2-50010	3/8" Nylock Nut	4
-	2-50740	3/8" Flatwasher, USS	4
125	2-50730	3/4' Spacer Washer	6
126	2-50280	3/4 x 2.5 SAE bolt	3
127	2-50020	3/4 SAE nylock	3
128	2-18012	shifter lever, CW - black	1
-	2-50084	1/4-20 x 3/4" Hex Hd Bolt	2
-	2-50000	1/4" Keps Nut	4
129	2-18011	shifter cable mount, CW - black	1
130	2-11104	Parking Brake Cables 4x4	2
-	2-50150	5/16-18 x 1" Hex Hd Bolt	2
-	2-50007	5/16" Nylock Nut	2
131	2-11010	Throttle Cable, UTV	1
-	2-50087	1/4-20 x 1" Hex Hd Bolt	1
-	2-50000	1/4" Keps Nut	2
-	2-11804	Spring #80704 Black painted	1
133	2-11804	Spring #80704 Black painted	1
136	2-65500	fuel hose 3/16" dia - 24"	1
137	2-50849	hose clamps - small	3
138	2-18313	Belt Guard Plastic UTV - Front	1
139	2-18314	Belt Guard Plastic UTV - Rear	1
140	2-18315	Belt Guard Plastic UTV - Bottom	1
-	2-50624	#10 x 3/4" Blunt Point Black	7
-	2-50050	#10 Speed Nut - for Plastic	7
-	2-50770	#10 Flatwasher	7
141	2-20011	Choke Bracket Honda Engine	1
150	2-25004	right angle gearbox	1
-	2-10184	Key, 3/16 x 1	3
151	2-20852	gearbox coupling	1
152	2-18042	Gear box bracket "torque arm" (long) used on units built before 10-06	1
-	2-18083	Gear box bracket (short) used on units built after 10-06	1
-	2-70232	rubber washer - used on units built before 10-06	2
-	2-50163	bolt, 5/16 x 3/4" NC	4
-	2-50701	Washer, 5/16 flat	6
-	2-50703	Washer, 5/16 lock	2
-	2-50005	Nut, 5/16 keps	2
-	2-50303	Bolt 7/16 x 1 3/4" - used on units built before 10-06	1
-	2-50794	Washer, 7/16 flat - used on units built before 10-06	2
-	2-50028	Nut, 7/16 nylock - used on units built before 10-06	1
153	2-18032	diff lock mount	1
-	2-50163	bolt, 5/16 x 3/4" NC	2
-	2-50701	Washer, 5/16 flat	2
-	2-50703	Washer, 5/16 lock	2

* On single cylinder models, quantity 4 of 2-70250 was replaced by quantity 4 of 2-70251 and 1 of 2-70252 on 6/1/2012. The 4 of the 2-70251 go under the engine and the 1 of the 2-70252 goes in the vertical mount. We do not recommend replacing only one bushing and that all four bushings should be replaced together.

NOTE: parts denoted as left or right hand are from driver's point of view.