



**AMERICAN
SPORTWORKS®**

800-643-7332 • amsportworks.com

LM500

WITH 479cc VANGUARD ENGINE



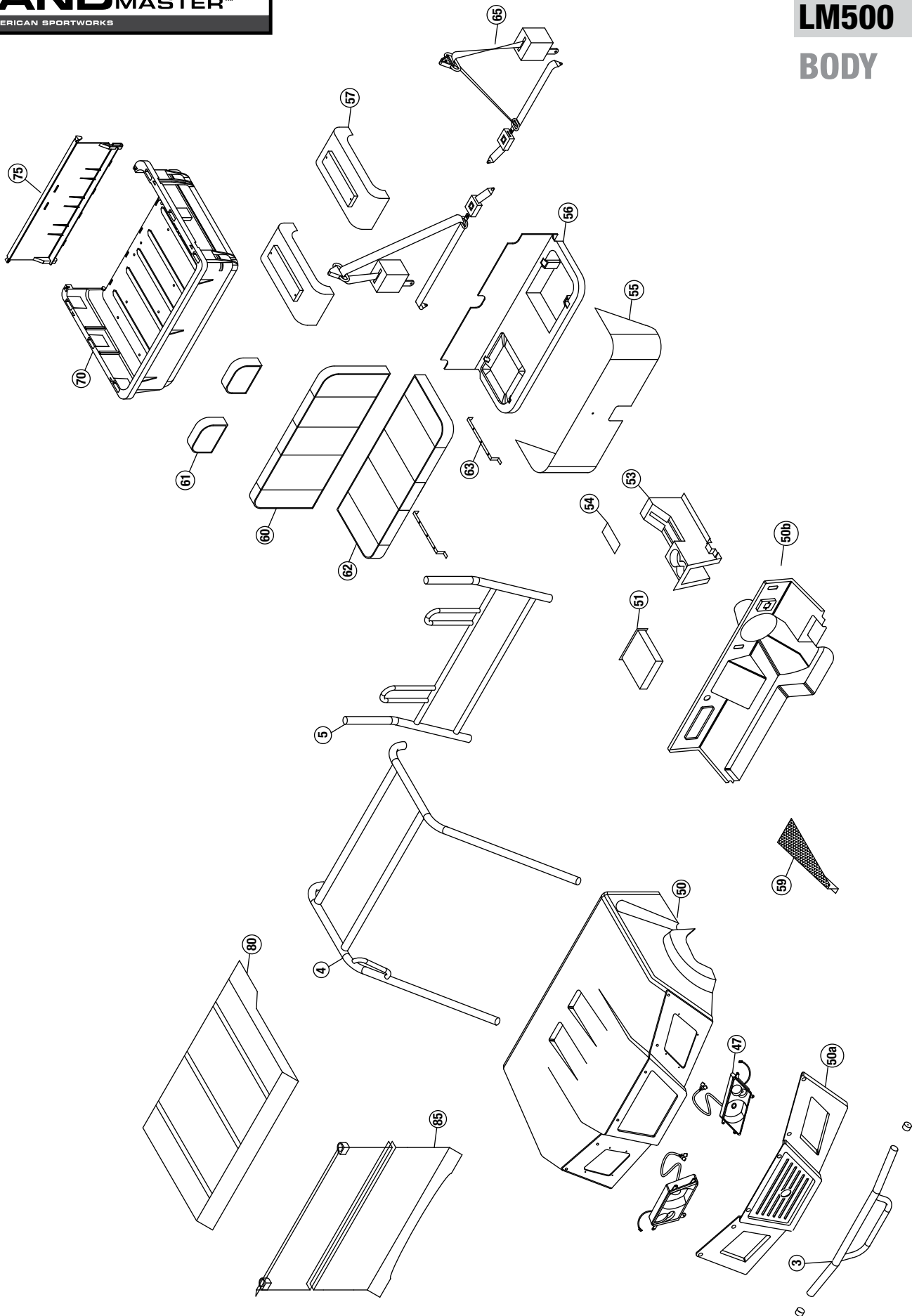
479CC 4 WHEEL DRIVE UTILITY VEHICLE

ILLUSTRATED PARTS LIST



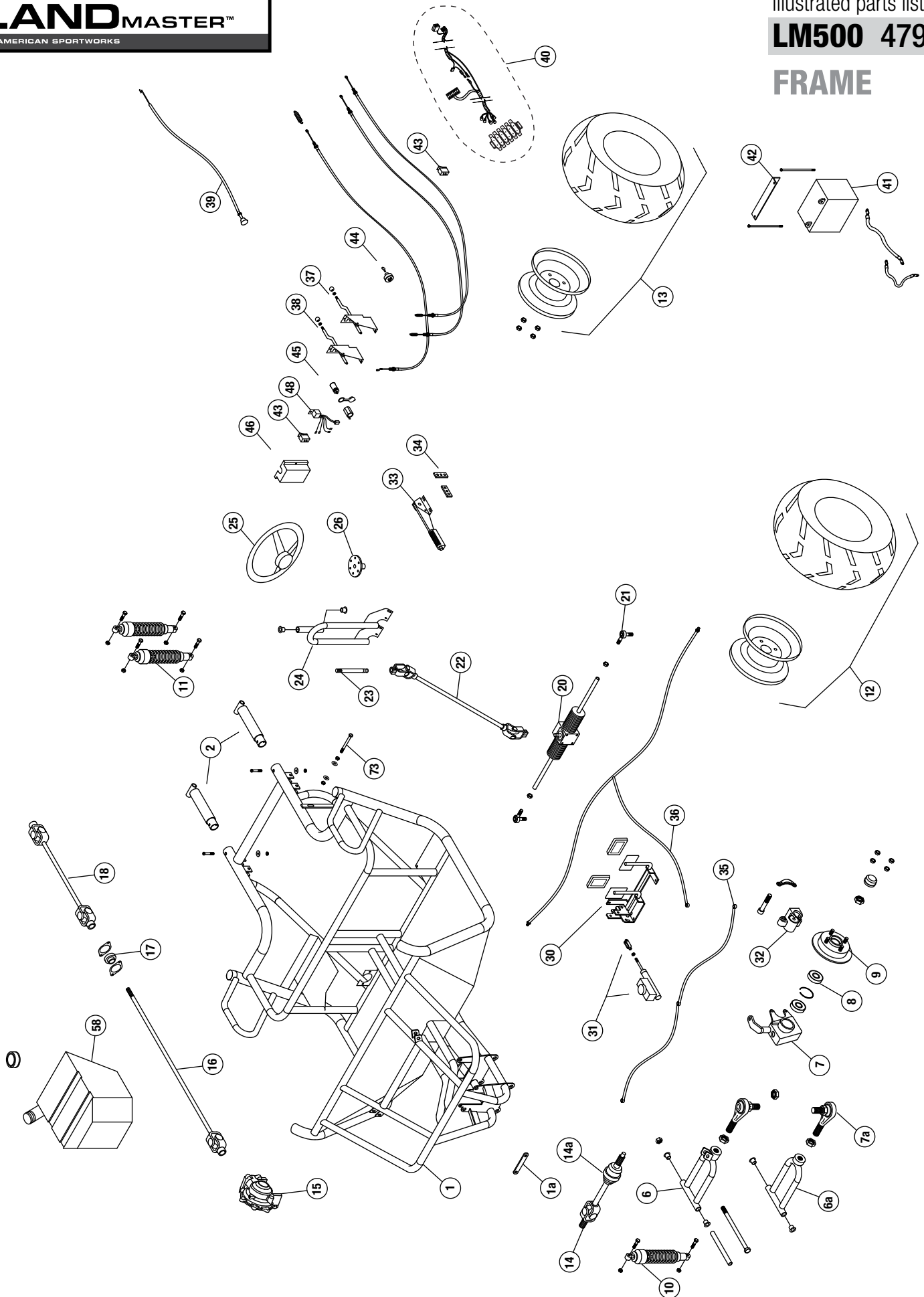
NOTE:

Some part numbers vary by serial number.
The serial number is located on a brass tag
beneath the dump bed on the driver side.

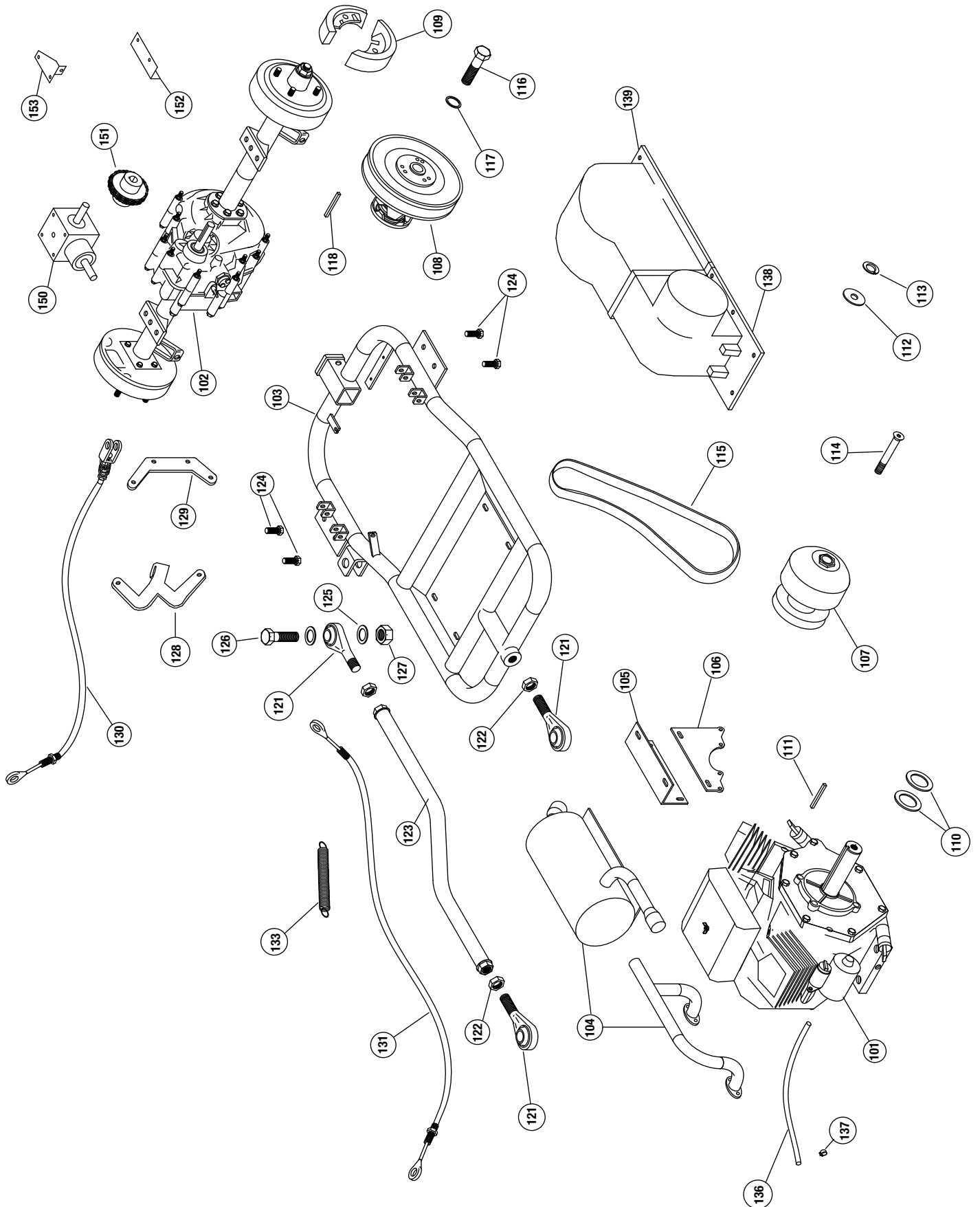


NOTE: parts denoted as left or right hand are from driver's point of view.

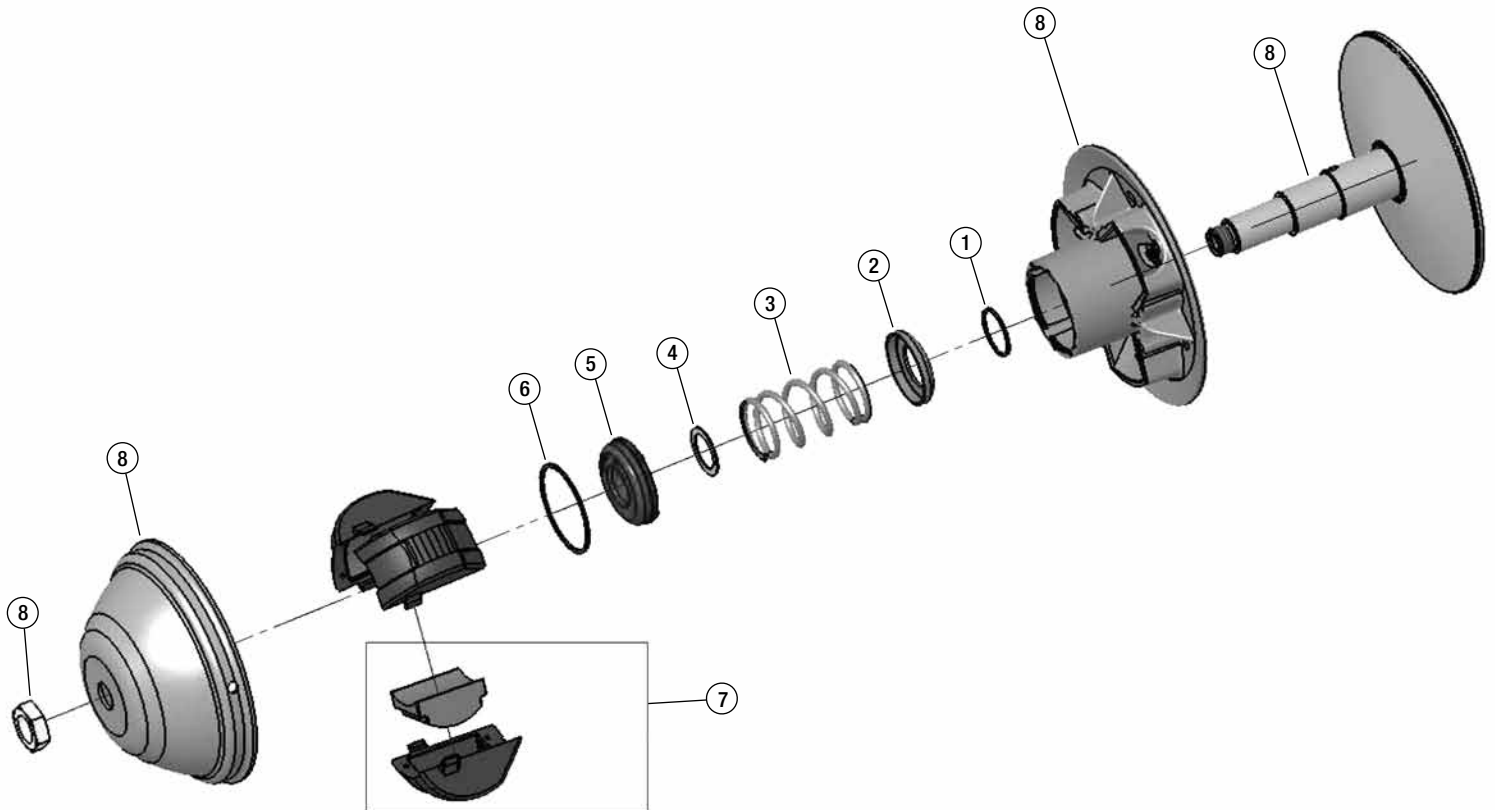
FRAME



NOTE: parts denoted as left or right hand are from driver's point of view.



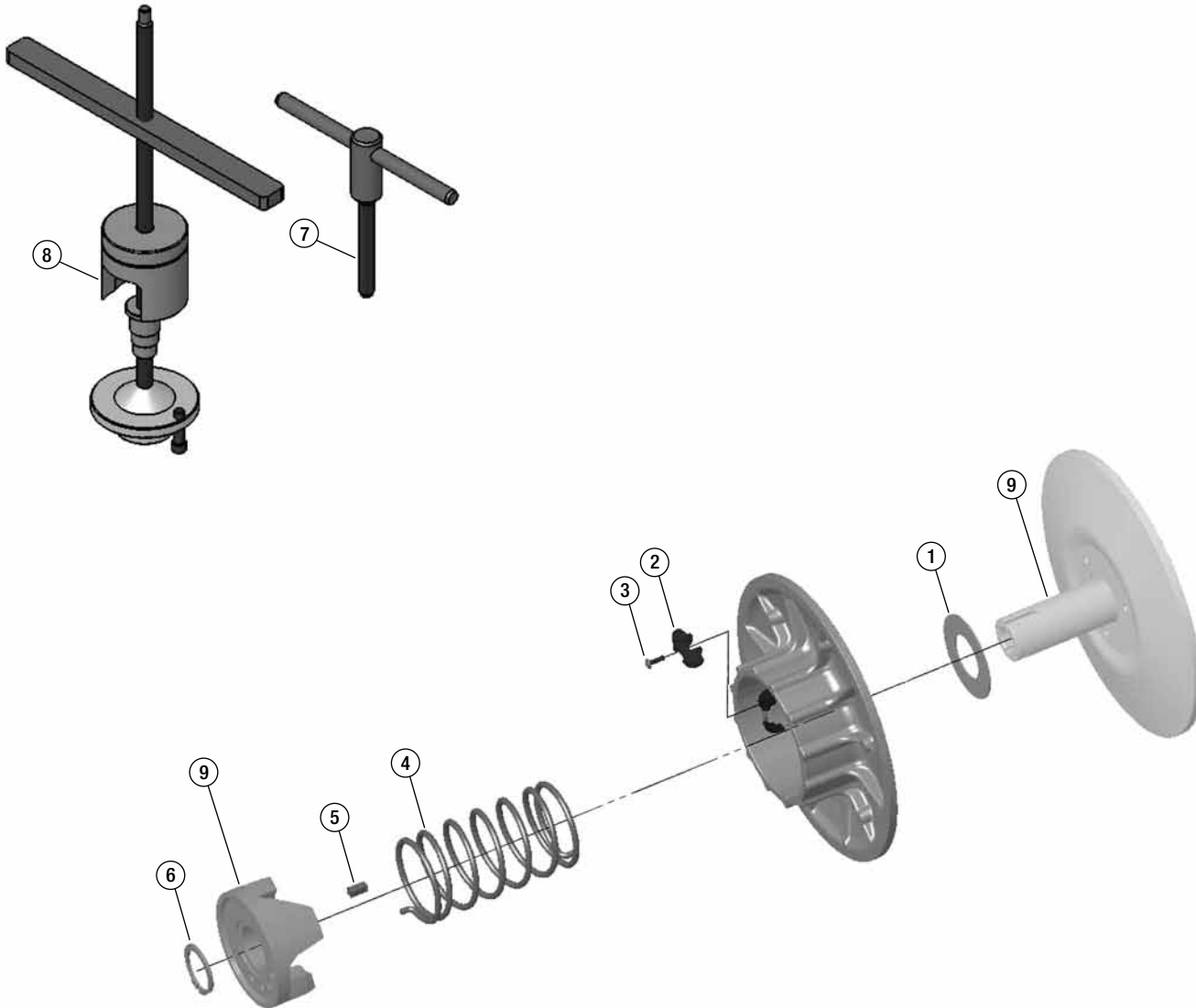
NOTE: parts denoted as left or right hand are from driver's point of view.



Ref#	Part#	Description	Qty
1	16374	WASHER	1
2	16375	SPRING GUIDE	1
3	16376	SPRING	1
4	16377	SHIM	1
5	16378	EXTERNAL BUSHING	1
6	16379	INTERNAL SNAP RING	1
7	16389	CENTRIFUGAL MASS	3
8	2-20665	THIS PART IS ONLY AVAILABLE WITH THE ENTIRE ASSEMBLY	



ENTIRE ASSEMBLY (2-20665)



Ref#	Part#	Description	Qty
1	16381	WASHER	1
2	16382	CAM SHOE	3
3	16383	SCREW	3
4	16384	SPRING	1
5	16385	KEY	1
6	16386	SNAP RING	1
7	16387	DISASSEMBLY TOOL	1
8	16388	FLANGE SPREADER	1
9	2-20661	THIS PART IS ONLY AVAILABLE WITH THE ENTIRE ASSEMBLY	



ENTIRE ASSEMBLY (2-20661)

REFERENCE NUMBER	PART NUMBER	PART DESCRIPTION	QUANTITY REQUIRED
1		Frame, - CW650 4x4	1
1a	2-18112	Tie Bar (metal strip to connect A-arm mount front)	1
2	2-45401	Rear frame stub, CW - black	2
-	2-50206	Bolt, 3/8 x 1	8
-	2-50013	Nut, 3/8 keps	8
3	2-45439	Landmaster Front Bumper	1
-	2-50167	Bolt, 5/16 x 2	4
-	2-50007	Nut, 5/16 nylock	4
-	2-50702	Washer, 5/16 Bent	4
-	2-70210	1.75" Round Tubing Plug	2
4	2-45412	Brshgrd roof, CW - black	1
-	2-50168	Bolt, 5/16 x 2-1/4 USS Socket Head	2
-	2-50007	Nut, 5/16 Nylock	4
-	2-50702	Washer, 5/16 Bent	4
5	2-45411	Brshgrd seat back, CW - black	1
-	2-50172	5/16 x 2 USS Socket Head bolt	4
-	2-50007	Nut, 5/16 Nylock	2
-	2-50702	Washer, 5/16 Bent	2
6	2-45445	A-arm, 4x4 Double A-arm Front UPPER - black	2
6a	2-45446	A-arm, 4x4 Double A-arm Front LOWER - black	2
-	2-51102	Suspension Bushings	2 ea
-	2-50225	Bolt, 3/8 x 8	1 ea
-	2-50010	Nut, 3/8 Nylock	1 ea
-	2-42114	Spacer, 3/8 ID 6.93 in length	1 ea
7	15839	Spindle Box, left - COMPLETE ASSEMBLY includes 1 brake rotor (2-25011) and 2 bearings (2-25021)	1
-	15840	Spindle Box, right - COMPLETE ASSEMBLY includes 1 brake rotor (2-25011) and 2 bearings (2-25021)	1
7a	2-10600	Ball Joint / Non Studded Rod End	2 per side
-	2-50280	Bolt, 3/4in X 2-1/2in-HH G5-Ft	2 per side
-	2-45152	Spacer, Rod End 4x4- 3/16in	2 per side
-	2-45153	Spacer, Rod End 4x4- 5/8in	2 per side
-	2-25022	Snap Ring	2
8	2-25021	Front Spindle Bearing	4
-	2-50021	Nut, 3/4 JAM	4
9	2-25011	Hub, 8.75" rotor 4x4	2
-	2-25018	Wheel stud, 1/2 -20 X 1 5/8"	
-	2-50073	Nut, 5/8 Half Nylock	2
10	14535	Shock, Heavy Duty, Chrome/Yellow	2
-	2-30623	Metal Dust Cap (Front Only)	2
-	2-70209	Rubber Dust Cap (Rear Only)	2
-	2-50060	Lug nuts, 1/2	16
11	2-70302	Shock, Rear, Black	4
-	2-50400	Bolt, 10 mm x 40mm	6
-	2-50404	10 mm x 70mm bolt	2
-	2-50065	Nut, 10mm nylock	8
-	2-45150	Spacer, shock	2
12L	2-30149	Rim/Tire Assembly, UTV 25/11-12 Left	1
12R	2-30150	Rim/Tire Assembly, UTV 25/11-12 Right	1
-	2-30481-B	Wheel rim, 12"	
-	2-30199	UTV 25/11-12 Tire only	
13L	2-30149	Rim/Tire Assembly, UTV 25/11-12 Left	1

NOTE: parts denoted as left or right hand are from driver's point of view.

REFERENCE NUMBER	PART NUMBER	PART DESCRIPTION	QUANTITY REQUIRED
13R	2-30150	Rim/Tire Assembly, UTV 25/11-12 Right	1
-	2-30481-B	Wheel rim, 12"	
-	2-30199	UTV 25/11-12 Tire only	
14	2-20863	CV half shaft (axle)	2
14a	----->	CV Boot (P/N 2-20868 fits 2.5" bell / 2-20873 fits 3" bell) 1 per half shaft	
-	16175	Circlip, 24.5 x 1.6	2
15	2-20839	Front Differential - 4x4	1
-	2-50206	Bolt, 3/8 x 1	4
-	2-50740	Washer, 3/8 Flat	4
-	2-50741	Washer, 3/8 Lock	4
16	2-25015	Drive Shaft, Front	1
-	2-50092	Bolt, 1/4 x 2	2
-	2-50000	Nut, 1/4 Keps	2
17	2-25010	Bearing, Shaft Support	1
-	2-50163	Bolt, 5/16 x 3/4 NC	2
-	2-50005	Nut, 5/16 Keps	2
18	2-25016	Drive Shaft, Rear	1
-	2-50628	Screw, 1/4-20 x 1/2 square head set	1
-	2-10184	Key, 3/16 x 1	3
20	2-10596	Rack & Pinion, 4x4 Double A-arm	1
-	2-50171	Bolt, 5/16 x 3 3/4 USS	4
-	2-50005	Nut, 5/16 Keps	4
21	2-10589	Rod End 4x4	2
-	2-10593	Rack boot	2
22	2-10526	Steering Shaft with U-joints 4x4	1
-	2-50402	Bolt, 10mm x 30mm	1
-	2-50066	Nut, 10mm Tri Lock Jam	1
-	2-50403	Bolt, 8mm x 30mm	1
-	2-50780	Lock washer, 8mm	1
23	2-18170	Steering Stub Shaft Landmaster Double Splined	1
24	2-45462	Steering support, LM - black	1
-	2-51102	Suspension Bushings	2 ea
-	2-50152	Bolt, 5/16 x 1	4
-	2-50005	Nut, 5/16 Keps	4
25	14845	Steering Wheel	1
-	14846	Center cap	1
26	2-18169	Steering Washer	1
-	2-50636	Socket head bolt, 1/4 x 3/4 Stainless Steel	6
-	2-50001	Nut, 1/4 Nylock	6
-	2-50098	Tapered bolt	1
30	2-42106	Pivot Pedal Asm, Black	1
-	2-70261	Pedal cover, rubber	2
-	2-50152	Bolt, 5/16 x 1	6
-	2-50081	Bolt, 1/4 x 1 3/4	1
-	2-50159	Bolt, 5/16 x 1 1/2	1
-	2-50005	Nut, 5/16 Keps	8
-	2-50701	Washer, 5/16 Flat	2
31	2-11120	Master Cylinder	1
-	2-50167	Bolt, 5/16 x 2	2
-	2-50005	Nut, 5/16 Keps	2

NOTE: parts denoted as left or right hand are from driver's point of view.

REFERENCE NUMBER	PART NUMBER	PART DESCRIPTION	QUANTITY REQUIRED
-	2-50806	Clevis, 5/16 Rod End	1
-	2-50077	Nut, 5/16 Hex SAE	1
32	2-11124	Brake Caliper (pads not included)	2
-	2-11167	Brake Pads (individual)	4
-	2-11168	Brake Pins	4
-	2-11169	Brake Clips	4
33	2-11127	Parking Brake	1
-	2-50086	Bolt, 1/4 x 1 1/4	1
-	2-50001	Nut, 1/4 Nylock	1
-	2-50163	Bolt, 5/16 x 3/4 NC	4
-	2-50005	Nut, 5/16 Keps	4
-	2-50701	Washer, 5/16 Flat	4
34	2-18038	Brake Spreader	2
-	2-50152	Bolt, 5/16 x 1	4
-	2-50007	Nut, 5/16 Nylock	1
35	2-11135	Brake Hose, Front	1
36	2-11136	Brake Hose, Rear	1
37	2-45522	Shifter Assembly	1
-	2-11093	Knob, Shifter Imprinted	1
-	2-11082	Cable, Shifter	2
-	2-50053	Nut, #10-24 Keps	2
-	2-50616	Screw, #10-24 X 3/4 Pan Head Phillips	2
-	2-50770	Washer, #10 Flat	2
38	2-45522	Differential Control Shifter Assy.	1
-	2-11092	Differential Imprinted	1
-	2-11094	Cable, Diff Lock	
-	2-50053	Nut, #10-24 Keps	2
-	2-50616	Screw, #10-24 X 3/4 Pan Head Phillips	2
-	2-50770	Washer, #10 Flat	2
-	2-50087	Bolt, 1/4-20 x 1	1
-	2-50000	Nut, 1/4" Keps	2
-	2-50159	Bolt, 5/16-18 x 1 1/2	1
-	2-50005	Nut, 5/16 Keps	2
39	2-11053	Choke Cable	1
40	2-70068	Wire Harness 650	1
40a	2-70094	Key Switch Adapter Harness	1
41	2-70000	Battery, U1L-8250-UTV	1
-	2-70002	Battery Cable, Red - 19"	1
-	2-70010	Battery Cable, Black (27")	1
-	2-70009	Battery Terminal Cover	2
-	2-50087	Bolt, 1/4 x 1	2
-	2-50000	Nut, 1/4 Keps	2
42	2-45414	Battery Strap, CW (8 3/4") - Black	1
-	2-50083	bolt, 1/4 x 7 1/2	2
-	2-50002	Nut, 1/4" Wing	2
43	2-70066	Headlight Switch	1
-	2-70067	Printed Switch 4WD/2WD	1
44	2-70058	Key Switch (keys included) USED ON VEHICLES MANUFACTURED BEFORE SERIAL NUMBER 58843	1
-	2-70060	Key USED ON VEHICLES MANUFACTURED BEFORE SERIAL NUMBER 58843	1
-	2-70093	Key Switch (keys included) USED ON VEHICLES MANUFACTURED AFTER SERIAL NUMBER 58843	1

NOTE: parts denoted as left or right hand are from driver's point of view.

REFERENCE NUMBER	PART NUMBER	PART DESCRIPTION	QUANTITY REQUIRED
-	2-70092	Key set (includes 2 keys) USED ON VEHICLES MANUFACTURED AFTER SERIAL NUMBER 58843	1
45	2-70080	Accessory Plug	1
-	2-70081	Accessory Plug cap	1
46	2-18500	Terminal Block Cover - Plastic	1
-	2-50625	Screw, #10-24 X 1" Pan Head Phillips	2
-	2-50053	Nut, #10-24 Keps	2
47	SEE LAST PAGE FOR HEADLIGHT INFORMATION		
48	2-70019	Relay with harness, 4x4	1
50	2-18334	Hood LM, Red	1
-	15977	Hood LM, "Spencer" Green	1
-	2-18346	Hood LM, Camo	1
-	2-18342	Hood LM, White	1
-	2-18348	Hood LM, Black	1
50a	2-18341	UTV Grille LM Black	1
50b	15979	UTV Dash LM Black	1
-	2-50817	Push Pin Black Plastic	16
-	2-50621	Screw, 1/4 x 2 Phillip Head Machine	1
-	2-50001	Nut, 1/4" Nylock	1
-	2-50846	Clamp-Tube-Vinyl Coated 1-1/4"	2
51	2-18309	Glove Box	1
-	2-50624	Screw, #10 x 3/4 hex - Black	5
53	2-18383	Center Console 4x4	1
-	2-50624	Screw, #10 x 3/4 hex - black	14
54	2-18316	Access Cover, Center Console	1
-	2-50624	Screw, #10 x 3/4 hex - black	4
55	2-18382	Plastic, Seat Bottom wrap 4x4	1
-	2-50624	Screw, #10 x 3/4 hex - black	5
56	2-18355	Underseat Storage Box	1
57	2-18303	Rear Fender Universal	2
-	2-50001	Nut, 1/4 Nylock	4
-	2-50087	Bolt, 1/4-20 X 3/4	4
-	2-50717	Washer, 1/4 SAE Flat	4
58	2-55077	Fuel Tank, QMI	1
-	15698	Clamp, 3/8 spring tube	1
-	2-65503	UTV, Fuel Line 3/16" black	1
-	2-55063	Elbow Fuel Inlet w/ #200 Mesh Screen	1
-	2-55062	Fuel Fitting Grommet	1
-	2-55066	Fuel Tank Cap – USED ON VEHICLES BUILT AFTER SERIAL NUMBER 58908 WITH OPAQUE QMI FUEL TANK	1
-	2-55071	Fuel Tank Straps	2
-	2-50010	Nut, 3/8 Nylock	4
-	2-50740	Washer, 3/8 Flat	4
59	2-18033	Shaft Guard	1
-	2-50163	Bolt, 5/16 x 3/4 NC	3
-	2-50005	Nut, 5/16 Keps	4
-	2-50171	Bolt, 5/16 x 3 3/4 USS	1
-	2-45506	Drive Shaft Cover Spacer - Black	1
60	2-10771	Seat back – BLACK & GREY – 43 ½ x 17 ½	1
60	2-10754	Seat back – BLACK – 43 ½ x 17 ½	1
-	2-50619	Screw, #14 X 1-3/4 Pan head-Tapping	6
61	2-10773	Headrest – BLACK & GREY – 9 x 6 ½	2

NOTE: parts denoted as left or right hand are from driver's point of view.

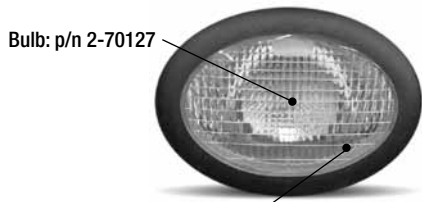
REFERENCE NUMBER	PART NUMBER	PART DESCRIPTION	QUANTITY REQUIRED
61	2-10803	Headrest – BLACK – 9 x 6 ½	2
-	2-50085	Bolt, 1/4 x 1 1/2	4
62	2-10772	Seat bottom – BLACK & GREY – 43 ½ x 17 ½	1
62	2-10755	Seat bottom – BLACK – 43 ½ x 17 ½	1
63	2-45416	Seat Bar, CW (17 1/2") - Black	2
-	2-50609	Screw, #14 x 3/4 pan head tapping	6
65	14786	Seatbelt, retractable without sleeve	2
-	8375	Seatbelt plastic sleeve - 7" length	2
-	2-50025	Nut, 7/16 Nylock	4
70	2-18356	Dump Bed UTV Plastic	1
-	2-50255	5/8 x 4 bolt Zinc plate	2
-	2-50015	Nut, 5/8 Nylock	2
-	2-18413	Bed Bumper 3/8" Rubber	2
73	2-50208	Bed latch Bolt, 3/8 x 2 1/2"	1
-	2-50013	Nut, 3/8 Keps	2
-	2-50740	Washer, 3/8 Flat	2
75	2-18357	Dump Bed Tailgate UTV Plastic	1
-	2-70230	Rubber Bump Stops	4
80	2-18328	Roof, Black Textured	1
-	2-18390	UTV, Top – Hardware Package	1
85	2-18411	Windshield - Clear	
-	2-18407	Tube Mount, Windshield	
88	2-40729	Front Reciever Hitch 4x4 kit	1
-	2-50162	Bolt, 5/16 x 1-3/8 - U	4
-	2-50704	Washer, 5/16 Flat	8
-	2-50007	Nut, 5/16 Nylock	8
101	2-20020	Engine, Briggs & Stratton VANGUARD V-Twin 479cc	1
-	2-50159	Bolt, 5/16 x 1-1/2 Hex Head	4
-	2-50167	Bolt, 5/16 x 2 Hex Head	4
-	2-50704	Washer, 5/16 Flat	2
-	2-50007	Nut, 5/16 Nylock	4
102	2-20838	Dana Transaxle	1
103	2-45437	Swing arm 650/479 4x4 - Black	1
104	2-52019	Muffler Kit V-Twin	1
105	2-18164	Muffler Mid Mount Bracket Briggs	1
-	2-50206	Bolt, 3/8 x 1 Hex Head	2
-	2-50010	Nut, 3/8 Nylock	2
-	2-50740	Washer, 3/8 Flat	4
106	2-18152	IRS Lower Muffler Mount	1
-	2-70251	Rubber Mounts	2
-	2-50010	Nut, 3/8 Nylock	4
-	2-50740	Washer, 3/8 Flat	4
107	2-20665	TC, Driver CV Tech (parts list on page 5)	1
108	2-20661	TC, Driven 10.25" CV Tech (parts list on page 6)	1
109	2-11173	Brake Shoes - Rear UTV – Dana "1 set for each wheel"	2
110	2-50745	1" I.D. Spacer Washer	2
111	2-10190	3/16 x 1/4 x 1-1/2" Keystock (for use with CV Tech driver pulley)	1
114	2-50226	Tapered Bolt	1
115	2-20698	Belt, CV Tech Power Block	1
116	2-50239	Bolt, 1/2 x 2 SAE	1

NOTE: parts denoted as left or right hand are from driver's point of view.

REFERENCE NUMBER	PART NUMBER	PART DESCRIPTION	QUANTITY REQUIRED
117	2-50722	Washer, 1/2 Lock	1
118	2-10191	3/16 x 3/16 x 3-1/4" Keystock (for use with CV Tech driven pulley)	1
-	2-50157	Bolt, 5/16 x 3/4 NF	2
-	2-50703	Washer, 5/16 Lock	2
-	2-50704	Washer, 5/16 Flat	2
121	2-10583	Rod End Sphcl-UTV (4681-MPM-12)	1
122	2-50021	3/4 Jam nut SAE	3
123	2-42093	Panhard Bar, CW 4x4 - black	1
124	2-50206	Bolt, 3/8 x 1	4
-	2-50010	Nut, 3/8 Nylock	4
-	2-50740	Washer, 3/8 Flat USS	4
126	2-50280	3/4 x 2.5 SAE bolt	3
127	2-50020	Nut, 3/4 SAE Nylock	3
128	2-18012	Shifter Lever, CW - black	1
-	2-50084	Bolt, 1/4-20 x 3/4	2
-	2-50000	Nut, 1/4 Keps	4
129	2-18011	Shifter Cable Mount, CW - black	1
130	2-11104	Parking Brake Cables 4x4	2
-	2-50150	Bolt, 5/16-18 x 1	2
-	2-50007	Nut, 5/16 Nylock	2
131	2-11010	Throttle Cable, UTV	1
-	2-50227	Bolt, #10 Shoulder	2
-	2-50087	Bolt, 1/4-20 x 1	1
-	2-50000	Nut, 1/4 Keps	2
133	2-11804	Spring #80704	1
136	2-65500	Fuel Hose 3/16" dia - 24"	1
137	2-50849	Hose Clamps - Small	3
138	2-18320	Belt Guard Plastic 650 UTV - Front	1
139	2-18324	Belt Guard Plastic 650 UTV - Rear	1
-	2-50624	#10 x 3/4" Blunt Point Black	7
-	2-50050	#10 Speed Nut - for Plastic	7
-	2-50770	Washer, #10 Flat	7
150	2-25004	Right Angle Gearbox	1
-	2-10184	Key, 3/16 x 1	3
151	2-20841	Gearbox Coupling	1
-	2-50163	Bolt, 5/16 x 3/4 NC	2
-	2-50701	Washer, 5/16 Flat	2
-	2-50703	Washer, 5/16 Lock	2
152	2-18083	Gear Box Mount	1
153	2-18032	Diff Lock Mount	1
-	2-50163	Bolt, 5/16 x 3/4 NC	2
-	2-50701	Washer, 5/16 Flat	2
-	2-50703	Washer, 5/16 lock	2
ADDITIONAL PARTS FOR "S" MODELS WITH STEEL BED / REAR FLIPSEAT			
-	2-45424	Steel Bed Black	1
-	2-45425	Steel Tailgate Black	1
-	2-70230	Rubber, Bumper – Dome - Large	2
-	2-55094	Flip Seat Kit-UTV	1

NOTE: parts denoted as left or right hand are from driver's point of view.

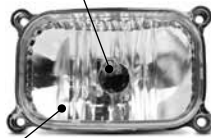
**HEADLIGHT REPLACEMENT BULBS AND ASSEMBLIES
FOR ASW UTILITY VEHICLES**



Bulb: p/n 2-70127

Assembly: p/n 2-70129
(5 1/4" oval)

Bulb: p/n 2-70127



Assembly: p/n 2-70133
(4 3/8" rectangle)



Bulb: p/n 2-70127
Assembly: p/n 15648
(3 1/4" Round)



Bulb: Sealed housing
no bulb available
Assembly: p/n 14768
(4" round)

Light assembly: p/n 2-70158
(5" round)

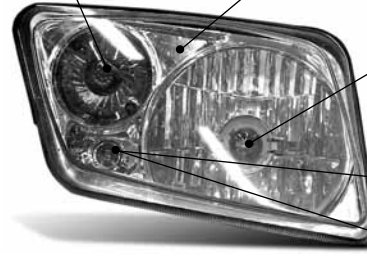
Amber reflector: p/n 14784
(2 1/4" Round)

Bulb: p/n 2-70122



Plastic insert: p/n "Driver Side" 15944 (inner bezel)
15946 (outer bezel)
Plastic insert: p/n "Passenger Side" 15943 (inner bezel)
15945 (outer bezel)

Bulb: p/n 15304
Light assembly: p/n 2-70153 (driver side)
Light assembly: p/n 2-70154 (passenger side)



Bulb: p/n 2-70146

Twist-in Bulb:
Sylvania 1891 or equivalent



Depending on your year of manufacture,
this housing either has a "push-in" or "twist-in" bulb



Push-in Bulb:
Sylvania 2825 or equivalent

Measurements are taken from left to right of the visible portion of the lens



7625 DiSalle Boulevard
Fort Wayne IN 46825

62194 Commercial Street
Roseland, LA 70456

Toll Free 800-643-7332
Fax 800-399-1399
www.amsportworks.com