

## **CW650 / TW650 / BD700**

WITH 653cc SUBARU ENGINE

## **ALL UNITS POST AUGUST 2009**

AFTER SERIAL NUMBER 41801



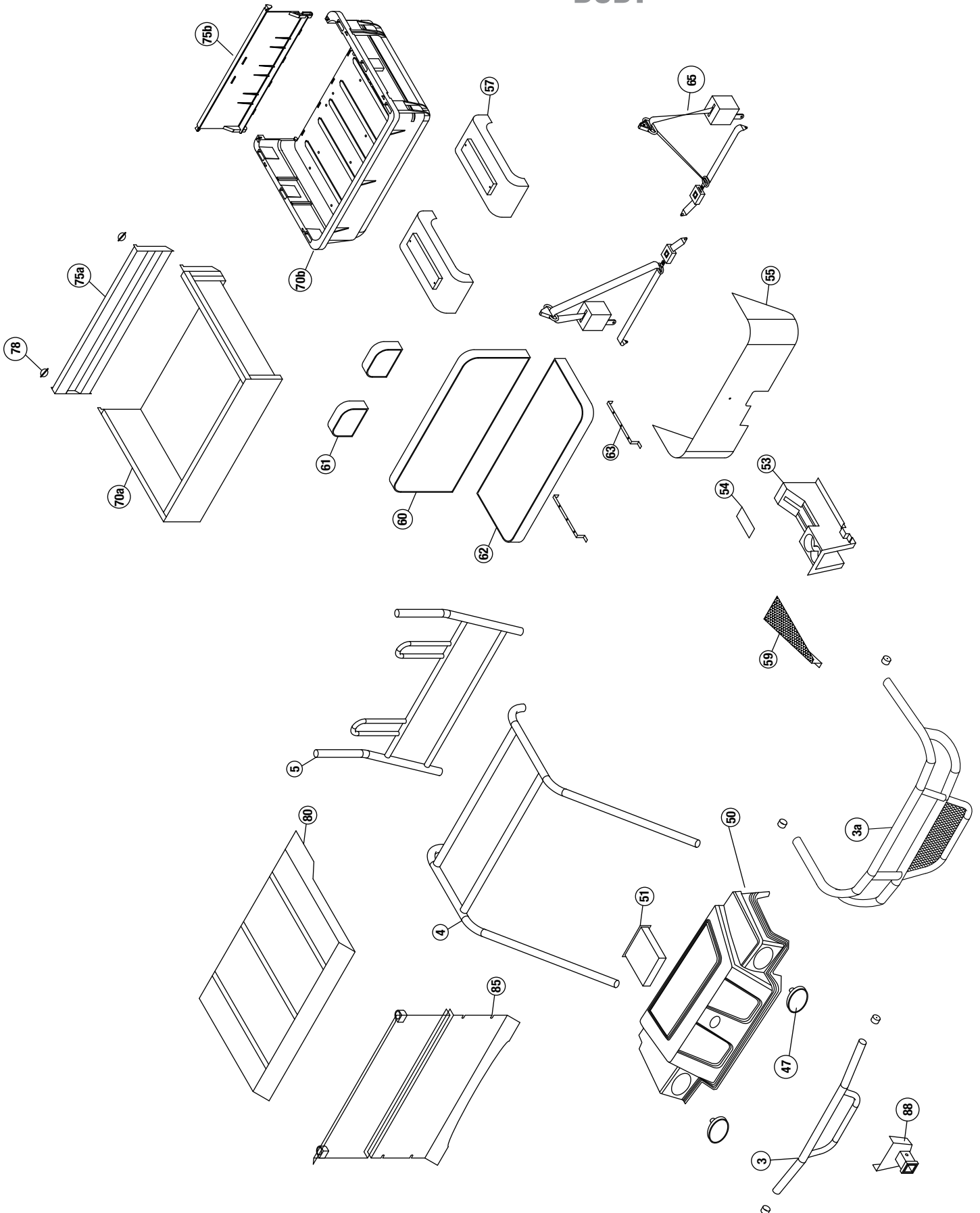
**653CC 4 WHEEL DRIVE UTILITY VEHICLE**

**ILLUSTRATED PARTS LIST**

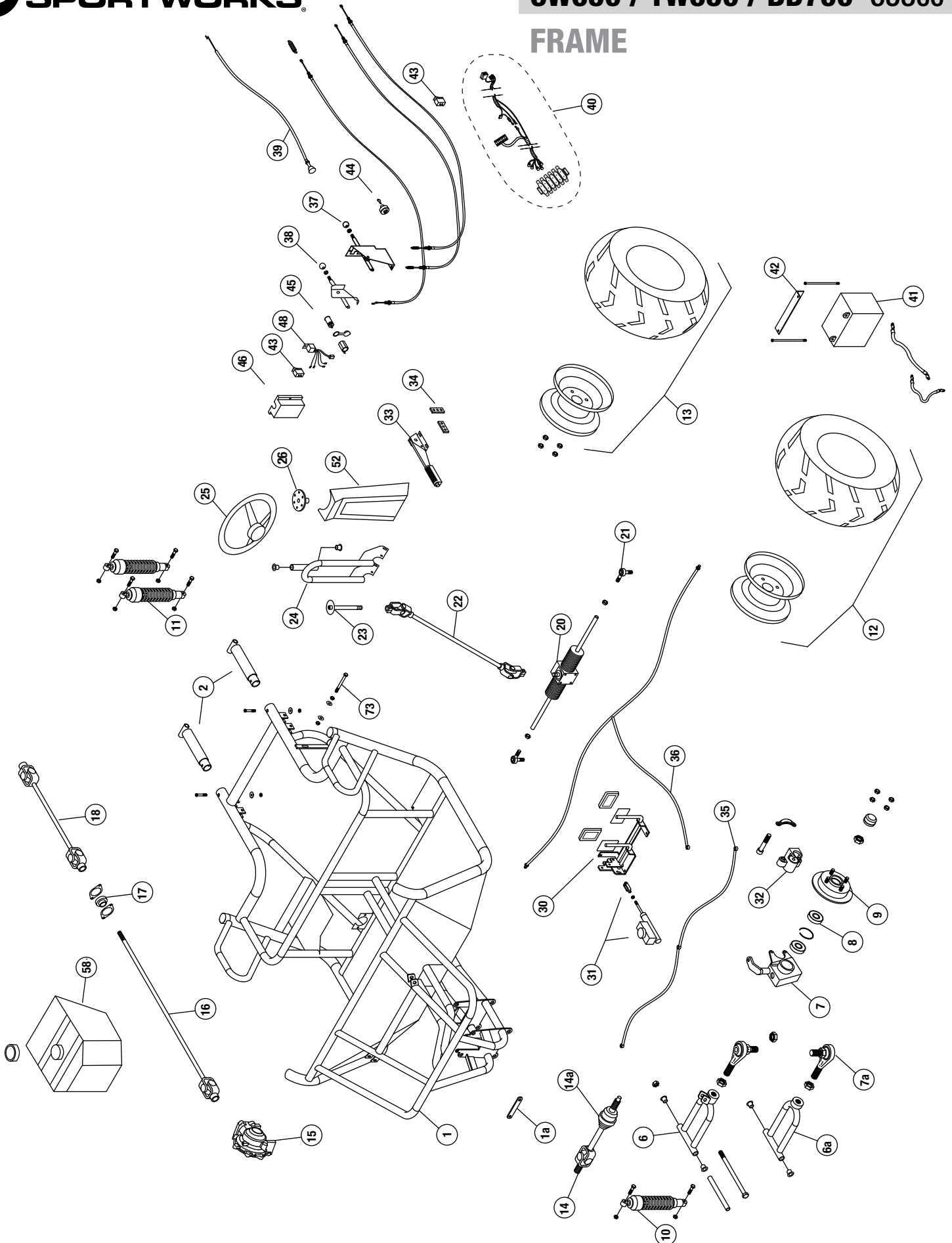


**NOTE:**

Some part numbers vary by serial number.  
The serial number is located on a brass tag  
beneath the dump bed on the driver side.

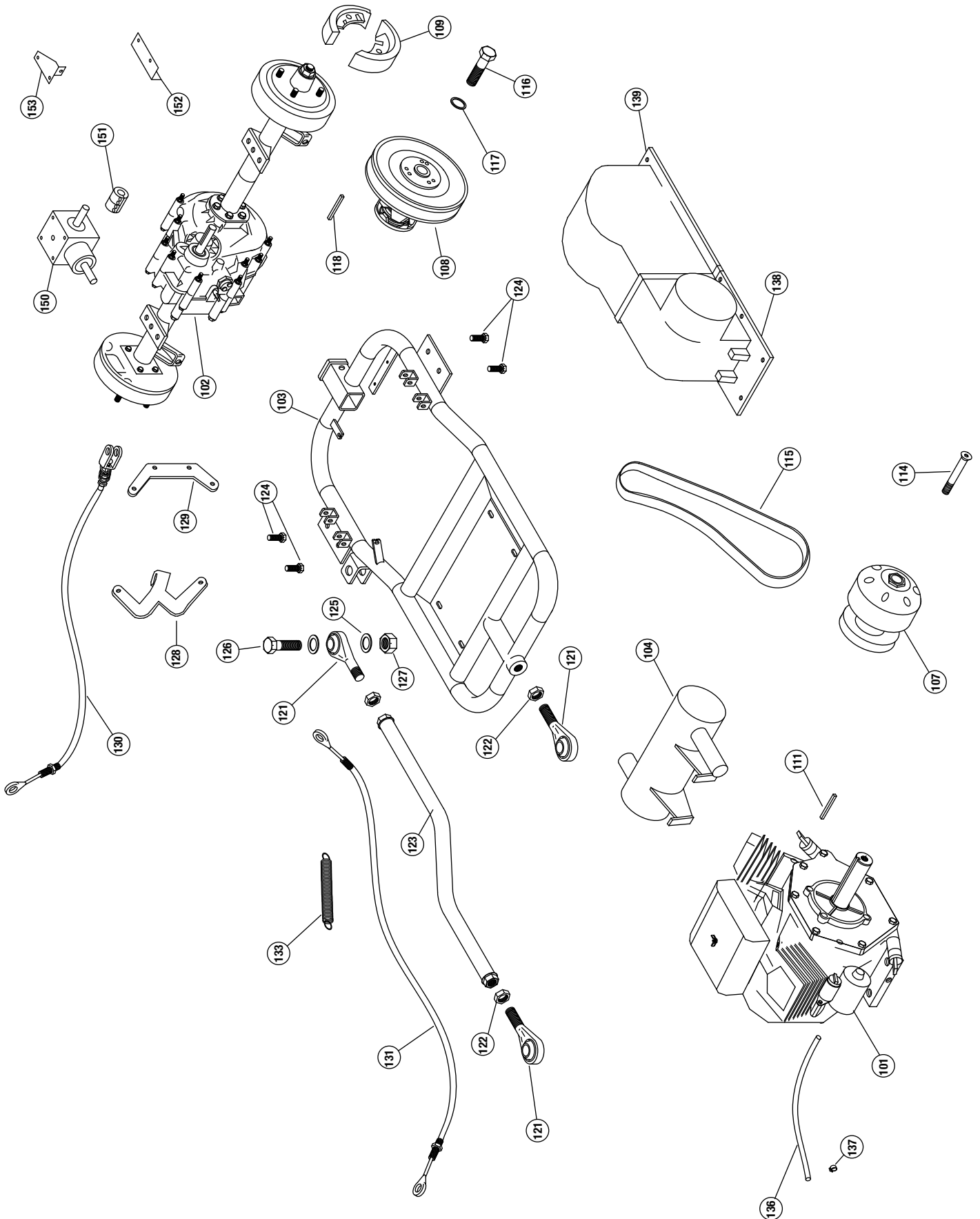
**BODY**


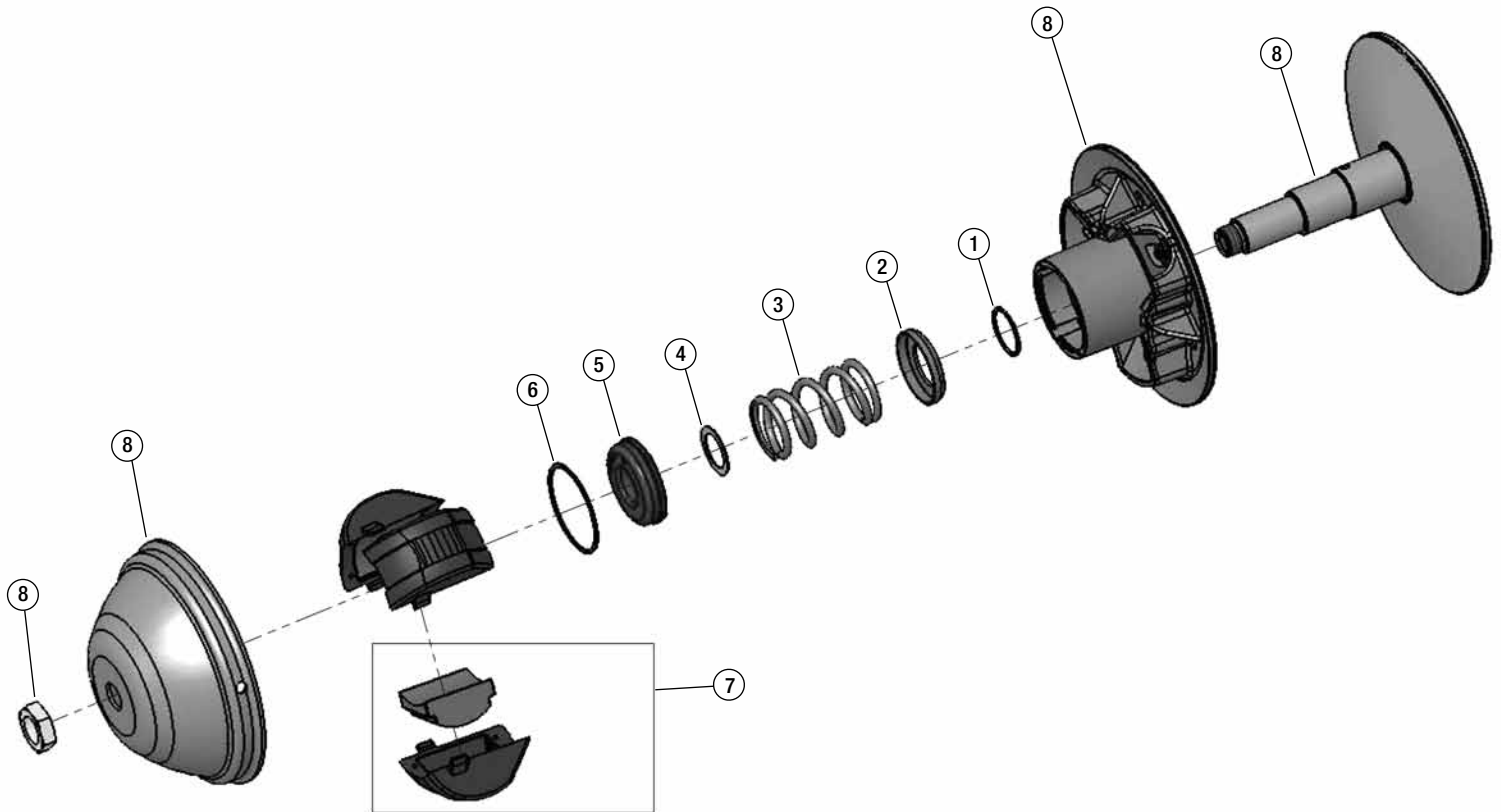
**FRAME**



**NOTE: parts denoted as left or right hand are from driver's point of view.**

**DRIVETRAIN**

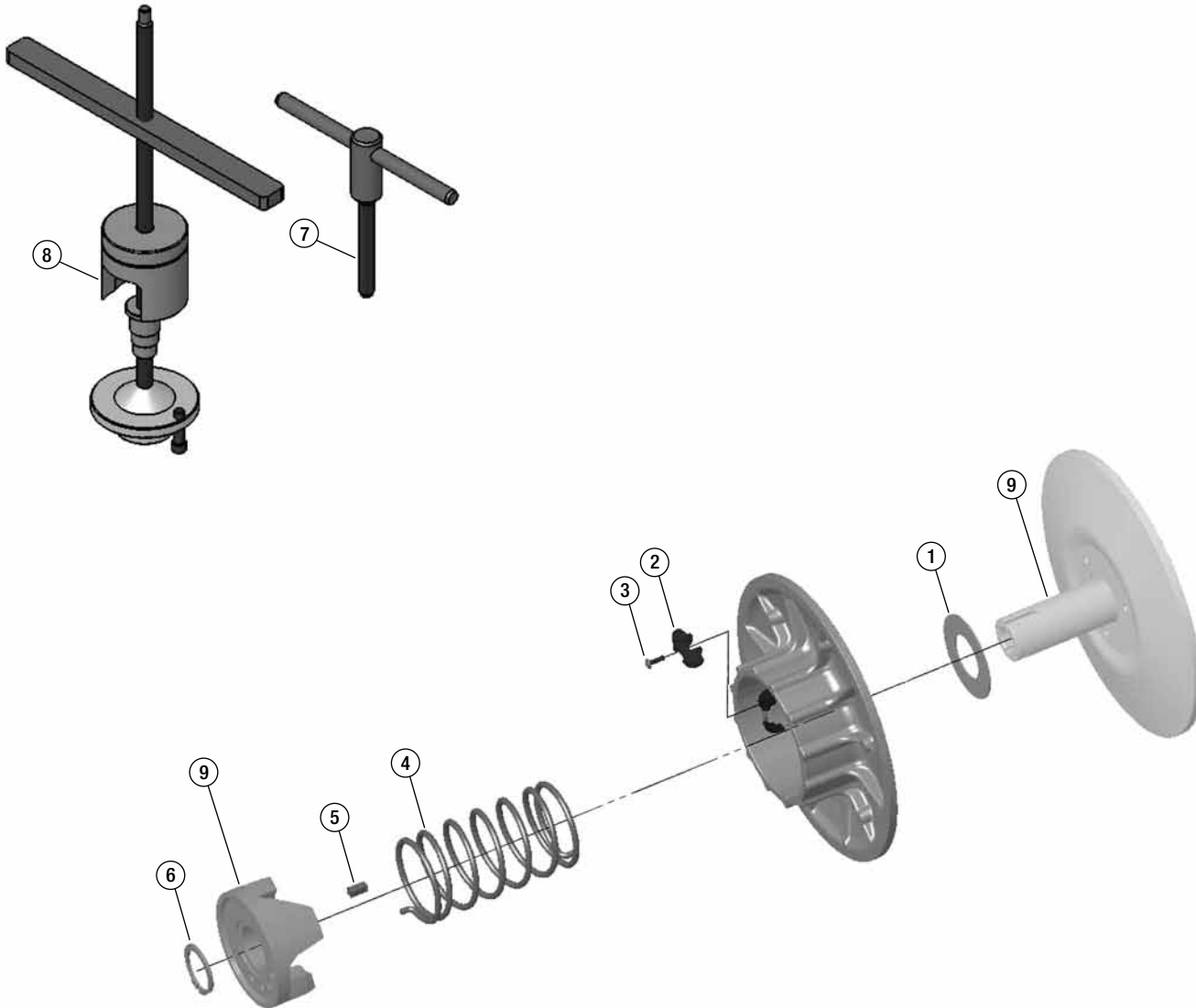




Ref#	Part#	Description	Qty
1	16374	WASHER	1
2	16375	SPRING GUIDE	1
3	16376	SPRING	1
4	16377	SHIM	1
5	16378	EXTERNAL BUSHING	1
6	16379	INTERNAL SNAP RING	1
7	16380	CENTRIFUGAL MASS	3
8	2-20662	THIS PART IS ONLY AVAILABLE WITH THE ENTIRE ASSEMBLY	



ENTIRE ASSEMBLY (2-20662)



Ref#	Part#	Description	Qty
1	16381	WASHER	1
2	16382	CAM SHOE	3
3	16383	SCREW	3
4	16384	SPRING	1
5	16385	KEY	1
6	16386	SNAP RING	1
7	16387	DISASSEMBLY TOOL	1
8	16388	FLANGE SPREADER	1
9	2-20661	THIS PART IS ONLY AVAILABLE WITH THE ENTIRE ASSEMBLY	



ENTIRE ASSEMBLY (2-20661)

REFERENCE NUMBER	PART NUMBER	PART DESCRIPTION	QUANTITY REQUIRED
1	-	Frame - CW650 4x4	1
1a	2-18112	Tie Bar <b>(metal strip to connect A-arm mount front)</b>	1
2	2-45401	Rear frame stub, CW - black	2
-	2-50206	bolt, 3/8 x 1	8
-	2-50013	nut, 3/8 keps	8
3	2-45413	straight bumper - black <b>(Used on CW650)</b>	1
3a	2-45466	wrap around bumper - black <b>(Used on BD700)</b>	1
-	2-45433	bumper - black <b>(Used on TW650 **OBSOLETE PART** CHOOSE ONE OF THE ABOVE BUMPERS)</b>	
-	2-50167	bolt, 5/16 x 2	4
-	2-50007	nut, 5/16 nylock	4
-	2-50702	bent washer 5/16	4
-	2-70210	Vinyl Caps 1 3/4 x 1 1/2	2
4	2-45412	brshgrd roof, CW - black	1
-	2-50168	5/16 x 2-1/4" USS Socket Head bolt	4
-	2-50007	nut, 5/16 nylock	4
-	2-50702	bent washer 5/16	4
5	2-45411	brshgrd seat back, CW - black	1
-	2-50168	5/16 x 2-1/4" USS Socket Head bolt	2
-	2-50007	nut, 5/16 nylock	2
-	2-50702	bent washer 5/16	2
6	2-45445	A-arm, 4x4 Double A-arm Front <b>UPPER-</b> black	2
6a	2-45446	A-arm, 4x4 Double A-arm Front <b>LOWER-</b> black	2
-	2-51102	suspension bushings	2 ea
-	2-50225	bolt, 3/8 x 8"	1 ea
-	2-50010	Nut, 3/8 nylock	1 ea
-	2-42114	spacer, 3/8 ID 6.93" in length	1 ea
7	2-40569	Spindle Box Assembly, left <b>(cast spindle kit)</b>	1
-	2-40570	Spindle Box Assembly, right <b>(cast spindle kit)</b>	1
7a	2-10598	Rod End (Heim Joint) 3/4" Studded	4
-	2-50801	cotter pin 1/8" x 1	2
-	2-25022	Snap Ring	2
8	2-25021	Front Spindle Bearing	4
-	2-50021	Nut, 3/4 JAM	4
-	2-50023	Nut, 3/4 Nylock	4
9	2-25011	Hub / 8.75" rotor 4x4	2
-	2-25018	Wheel stud, 1/2 -20 X 1 5/8"	
-	2-50073	Nut, 5/8 Half Nylock	2
10	14535	Shock, Heavy Duty, Chrome/Yellow	2
-	2-30623	Metal Dust Cap <b>(Front Only)</b>	2
-	2-70209	Rubber Dust Cap <b>(Rear Only)</b>	2
-	2-50060	Lug nuts, 1/2"	16
11	2-70301	Shock, Rear, Black/Yellow <b>(Before Serial #52767)</b>	4
-	2-70302	Shock, Rear, Black <b>(After Serial # 52767)</b>	
-	2-50400	Bolt, 10 mm x 40mm	6
-	2-50404	10 mm x 70mm bolt	2
-	2-50065	Nut, 10mm nylock	8
-	2-45150	spacer, shock	2
12L	2-30146	Rim/Tire Assembly, UTV 25/11-12" Left	1
12R	2-30147	Rim/Tire Assembly, UTV 25/11-12" Right	1
-	2-30481	Wheel rim, 12"	

**NOTE: parts denoted as left or right hand are from driver's point of view.**

REFERENCE NUMBER	PART NUMBER	PART DESCRIPTION	QUANTITY REQUIRED
-	2-30199	UTV 25/11-12 Tire only	
13L	2-30146	Rim/Tire Assembly, UTV 25/11-12" Left	1
13R	2-30147	Rim/Tire Assembly, UTV 25/11-12" Right	1
-	2-30481	Wheel rim, 12"	
-	2-30199	UTV 25/11-12 Tire only	
14	2-20851	CV half shaft (axle) - <b>After serial# 41746 use 2-20863</b>	2
14a	----->	CV Boot (P/N 2-20868 fits 2.5" bell / 2-20873 fits 3" bell) 1 per half shaft	
-	16175	Circlip, 24.5 x 1.6	2
15	2-20839	front differential - 4x4	1
-	2-50206	Bolt, 3/8 x 1	4
-	2-50740	washer, 3/8 flat	4
-	2-50741	washer, 3/8 lock	4
16	2-25015	drive shaft, front	1
-	2-50092	bolt, 1/4 x 2"	2
-	2-50000	nut, 1/4 keps	2
17	2-25010	bearing, shaft support	1
-	2-50163	bolt, 5/16 x 3/4" NC	2
-	2-50005	Nut, 5/16 keps	2
18	2-25016	drive shaft, rear telescoping	1
-	2-50628	Screw, 1/4-20 x 1/2" square head set	1
-	2-10184	key, 3/16 x 1	3
20	2-10596	Rack & Pinion, 4x4 Double A-arm	1
-	2-50171	Bolt, 5/16 x 3 3/4" USS	4
-	2-50005	Nut, 5/16 keps	4
21	2-10589	Rod end 4x4	2
-	2-10595	Tie rod 4x4	2
-	2-10593	Rack boot	2
22	2-10592	Steering Shaft w/u-joints 4x4	1
-	2-50402	Bolt, 10mm x 30mm	1
-	2-50066	Nut, 10mm Tri Lock Jam	1
-	2-50403	Bolt, 8mm x 30mm	1
-	2-50780	Lock washer, 8mm	1
23	2-45422	Steering Stub Shaft Assembly, CW - Black	1
24	2-45400	Steering support, CW - black	1
-	2-51102	suspension bushings	2 ea
-	2-50152	bolt, 5/16 x 1	4
-	2-50005	Nut, 5/16 keps	4
25	14845	Steering Wheel (used for <b>serial number 48598</b> and above)	1
-	14846	Center cap (used for <b>serial number 48598</b> and above)	1
-	2-10508	Center cap (used for <b>serial number 48598</b> and below)	1
-	2-10509	Steering Wheel (used for <b>serial number 48598</b> and below)	1
26	2-18169	Steering Washer	1
-	2-50636	Bolt, 1/4 x 3/4 SS Socket Head	6
-	2-50001	Nut, 1/4 nylock	6
-	2-50098	Tapered Bolt	1
30	2-42106	Pivot Pedal Asm, Black	1
-	2-70261	Pedal cover, rubber	2
-	2-50152	bolt, 5/16 x 1	6
-	2-50081	bolt, 1/4 x 1 3/4"	1
-	2-50159	bolt, 5/16 x 1 1/2"	1

**NOTE: parts denoted as left or right hand are from driver's point of view.**



REFERENCE NUMBER	PART NUMBER	PART DESCRIPTION	QUANTITY REQUIRED
-	2-50005	Nut, 5/16 keps	8
-	2-50701	Washer, 5/16 flat	2
31	2-11120	master cylinder	1
-	2-50167	bolt, 5/16 x 2	2
-	2-50005	Nut, 5/16 keps	2
-	2-50806	Clevis, 5/16 rod end	1
-	2-50077	Nut, 5/16" Hex SAE	1
32	2-11124	brake caliper <b>(pads not included)</b>	2
-	2-11167	brake pads <b>(individual)</b>	4
-	2-11168	brake pins	4
-	2-11169	brake clips	4
-	2-50826	Spacer Lock collar, 3/8	4
-	2-50217	bolt, 3/8 x 1 1/2	4
-	2-50013	nut, 3/8 keps	4
33	2-11127	Parking Brake	1
-	2-50086	Bolt, 1/4 x 1 1/4	1
-	2-50001	nut, 1/4" nylock	1
-	2-50163	bolt, 5/16 x 3/4" NC	4
-	2-50005	Nut, 5/16 keps	4
-	2-50701	Washer, 5/16 flat	4
34	2-18038	Brake spreader	2
-	2-50152	bolt, 5/16 x 1	4
-	2-50007	nut, 5/16 nylock	1
35	2-11135	Brake hose, front	1
36	2-11136	Brake hose, rear	1
37	2-45522	Shifter control assembly, black	1
-	2-11093	Knob	1
-	2-11082	Cable, shifter	2
-	2-50053	nut, #10-24 Keps nut	2
-	2-50616	screw, #10-24 X 3/4" Pan Head phillips	2
-	2-50770	Washer, #10 flat	2
38	2-45522	Differential Control Assy - 4x4 Diff Control w/ cable	1
-	2-11092	Knob	
-	2-11094	cable, diff lock	
-	2-50053	nut, #10-24 Keps nut	2
-	2-50616	screw, #10-24 X 3/4" Pan Head phillips	2
-	2-50770	Washer, #10 flat	2
-	2-50087	1/4-20 x 1" Hex Hd Bolt	1
-	2-50000	1/4" Keps Nut	2
-	2-50159	5/16-18 x 1 1/2" Hex Hd Bolt	1
-	2-50005	5/16" Keps Nut	2
39	2-11053	Choke Cable	1
40	2-70068	Wire Harness - 653cc	1
40a	2-70094	Key Switch Adapter Harness	1
41	2-70000	Battery, U1L-8250-UTV	1
-	2-70002	Battery Cable, Red - 19"	1
-	2-70010	Battery Cable, Black (27")	1
-	2-70009	Battery Terminal Cover	2
-	2-50087	bolt, 1/4" x 1	2
-	2-50000	nut, 1/4" keps	2

**NOTE: parts denoted as left or right hand are from driver's point of view.**

REFERENCE NUMBER	PART NUMBER	PART DESCRIPTION	QUANTITY REQUIRED
42	2-45414	Battery strap, CW (8 3/4") - black	1
-	2-50083	bolt, 1/4 x 7 1/2	2
-	2-50002	nut, 1/4" wing	2
43	2-70066	Light Switch / 4x4 switch	2
44	2-70058	Key Switch (keys included) <b>USED ON VEHICLES MANUFACTURED BEFORE SERIAL NUMBER 58843</b>	1
-	2-70060	Key <b>USED ON VEHICLES MANUFACTURED BEFORE SERIAL NUMBER 58843</b>	1
-	2-70093	Key Switch (keys included) <b>USED ON VEHICLES MANUFACTURED AFTER SERIAL NUMBER 58843</b>	1
-	2-70092	Key set (includes 2 keys) <b>USED ON VEHICLES MANUFACTURED AFTER SERIAL NUMBER 58843</b>	1
45	2-70080	Accessory Plug	1
-	2-70081	Accessory Plug cap	1
46	2-18500	Terminal Block Cover - plastic	1
-	2-50625	screw, #10-24 X 1" Pan Head phillips	2
-	2-50053	nut, #10-24 Keps nut	2
47	<b>SEE LAST PAGE FOR HEADLIGHT INFORMATION</b>		
48	2-70019	Relay w/harness, 4x4	1
50	2-18380	Hood, plastic - 4x4 (green)	1
-	2-50620	1/4" X 1 1/4" Pan phillips Machine screw	2
-	2-50621	1/4" X 2" Pan phillips Machine screw	2
-	2-50717	1/4" SAE Flat washer	8
-	2-50001	nut, 1/4" nylock	4
-	2-50846	Clamp-Tube-vinyl coated 1-1/4"	2
51	2-18309	Glove Box	1
-	2-50624	Screw, #10 x 3/4 hex - black	5
52	2-18308	Steering Cover	1
-	2-50624	Screw, #10 x 3/4 hex - black	1
53	2-18383	Center Console 4x4	1
-	2-50624	Screw, #10 x 3/4 hex - black	14
54	2-18316	Access Cover, Center Console	1
-	2-50624	Screw, #10 x 3/4 hex - black	4
55	2-18382	Plastic, Seat Bottom wrap 4x4	1
-	2-50624	Screw, #10 x 3/4 hex - black	5
56	2-18355	Underseat storage box	1
57	2-18303	Rear Fender, Universal	2
-	2-50001	nut, 1/4 nylock	4
-	2-50091	1/4"-20 X 3/4" Carriage bolt	4
-	2-50717	1/4" SAE Flat washer	4
58	2-55069	Fuel Tank, Flambeau <b>(used on units BEFORE serial number 58908)</b>	1
-	2-55077	Fuel Tank, QMI <b>(used on units AFTER serial number 58908)</b>	1
-	15698	Clamp, 3/8 Spring Tube	1
-	2-65503	UTV, Fuel Line 3/16" black	1
-	2-55063	Elbow Fuel Inlet with #200 Mesh Screen	1
-	2-55062	Fuel Fitting Grommet	1
-	2-55073	Fuel Tank Cap <b>(used with Flambeau fuel tank)</b>	1
-	2-55066	Fuel Tank Cap <b>(used on units AFTER serial number 58908 with QMI opaque fuel tank)</b>	1
-	2-55071	Fuel Tank Straps	2
-	2-50010	Nut, 3/8 Nylock	4
-	2-50740	Washer, 3/8 Flat	4
-	2-50163	bolt, 5/16 x 3/4" NC	3
-	2-50706	Washer, 5/16 fender	3
-	2-50703	Washer, 5/16 lock	3

**NOTE: parts denoted as left or right hand are from driver's point of view.**

REFERENCE NUMBER	PART NUMBER	PART DESCRIPTION	QUANTITY REQUIRED
59	2-18033	Shaft guard	1
-	2-50163	bolt, 5/16 x 3/4" NC	3
-	2-50005	Nut, 5/16 keps	4
-	2-50171	Bolt, 5/16 x 3 3/4" USS	1
-	2-10001	tube, 1" 14ga	1
60	2-10771	Seat back – <b>BLACK &amp; GREY</b> – 43 1/2 x 17 1/2	1
60	2-10754	Seat back – <b>BLACK</b> – 43 1/2 x 17 1/2	1
-	2-50619	#14 X 1-3/4" Pan head-Tapping screw	6
61	2-10773	Headrest – <b>BLACK &amp; GREY</b> – 9 x 6 1/2	2
61	2-10803	Headrest – <b>BLACK</b> – 9 x 6 1/2	2
-	2-50085	bolt, 1/4 x 1 1/2"	4
62	2-10772	Seat bottom – <b>BLACK &amp; GREY</b> – 43 1/2 x 17 1/2	1
62	2-10755	Seat bottom – <b>BLACK</b> – 43 1/2 x 17 1/2	1
63	2-45416	seat bar, CW (17 1/2") - black	2
-	2-50609	#14 x 3/4 pan head tapping	6
65	14786	Seatbelt, retractable without sleeve	2
-	8375	Seatbelt plastic sleeve - 7" length	2
-	2-50025	7/16 Nylock	4
70a	2-45426	Cargo Bed, green	1
70b	2-18356	Dump Bed UTV Plastic	1
-	2-50255	5/8 x 4" bolt Zinc plate	2
-	2-50015	5/8 nylock	2
73	2-50208	Bed latch bolt, 3/8 x 2 1/2"	1
-	2-50013	nut, 3/8 keps	2
-	2-50740	washer, 3/8 flat	2
75a	2-45427	Tail gate, green	1
75b	2-18357	Dump Bed Tailgate UTV Plastic	1
-	2-50152	bolt, 5/16 x 1	2
-	2-50701	washer, 5/16 sae	4
-	2-50007	nut, 5/16 nylock	2
-	2-70230	rubber bump stops	4
-	2-18413	Bed Bumper 3/8" Rubber	2
78	2-50815	1/4" Lynch Pin - tailgate latch	2
80	2-18312	Roof, green	1
-	2-50846	Clamp-Tube-vinyl coated 1-1/4"	4
-	2-50087	bolt, 1/4" x 1	4
-	2-50717	1/4" SAE Flat washer	4
-	2-50001	nut, 1/4" nylock	4
85	2-18400	Windshield - clear ( <b>FITS LO-RISE HOODS SEE BUYING GUIDE AT SHOP.AMSPORTWORKS.COM</b> )	
-	2-18411	Windshield - clear ( <b>FITS HI-RISE HOODS SEE BUYING GUIDE AT SHOP.AMSPORTWORKS.COM</b> )	
-	2-18403	Fastener kit, windsheild	
88	2-40729	Front reciever hitch 4x4 kit	1
-	2-50162	Bolt, 5/16 x 1-3/8 - U	4
-	2-50704	Washer, 5/16 Flat	8
-	2-50007	Nut, 5/16 Nylock	8
101	2-20019	Engine, Subaru V-Twin 653cc	1
-	2-50202	3/8-16 x 1 3/4" Hex Hd Bolt	4
-	2-50740	3/8" Flatwasher, USS	4
102	2-20838	Dana Transaxle	1
103	2-45505	Swing arm 650 4x4 - Black	1

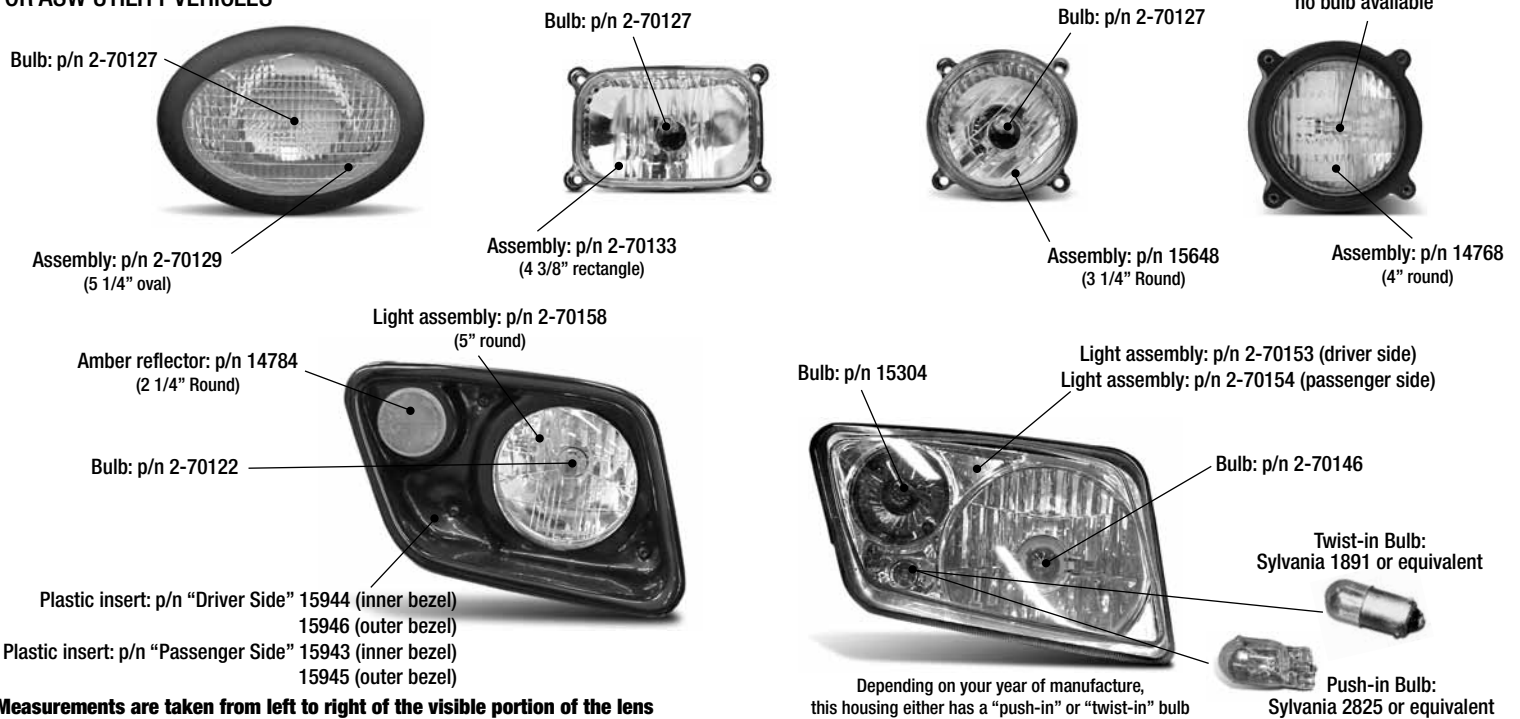
**NOTE: parts denoted as left or right hand are from driver's point of view.**

REFERENCE NUMBER	PART NUMBER	PART DESCRIPTION	QUANTITY REQUIRED
104	2-55043	Muffler 653cc Subaru	
107	2-20662	TC, CV Tech <b>(parts lists on page 5)</b>	1
108	2-20661	TC, CVTech 10.25" <b>(parts lists on page 6)</b>	1
109	2-11173	Brake Shoes - Rear UTV – Dana <b>"1 set for each wheel"</b>	2
110	2-50745	1" I.D. Spacer Washer	4
111	2-10190	3/16 x 1/4 x 1-1/2" Keystock <b>(for use with CV Tech driver pulley)</b>	1
112	2-50742	3/8" I.D. Fender Washer	1
113	2-50741	3/8" Lock Washer	1
114	2-50222	3/8x 3 1/2" Bolt Hex Hd NF	1
115	2-20698	Belt, CV Tech Power Block	1
116	2-50239	Bolt 1/2 x 2" SAE	1
117	2-50722	1/2" Lock Washer	1
118	2-10191	3/16 x 3/16 x 3-1/4" Keystock <b>(for use with CV Tech driven pulley)</b>	1
-	2-50157	5/16x 3/4" Bolt Hex Hd NF	2
-	2-50703	5/16" Lock Washer	2
-	2-50704	5/16" Flatwasher	2
121	2-10583	Rod End Sphcl-UTV (4681-MPM-12)	1
122	2-50021	3/4 Jam nut SAE	3
123	2-42093	Panhard bar, CW 4x4 - black	1
124	2-50206	bolt, 3/8 x 1	4
-	2-50010	3/8" Nylock Nut	4
-	2-50740	3/8" Flatwasher, USS	4
125	2-50730	3/4" Spacer Washer	6
126	2-50280	3/4 x 2.5 SAE bolt	3
127	2-50020	3/4 SAE nylock	3
128	2-18012	shifter lever, CW - black	1
-	2-50084	1/4-20 x 3/4" Hex Hd Bolt	2
-	2-50000	1/4" Keps Nut	4
129	2-18011	shifter cable mount, CW - black	1
130	2-11104	Parking Brake Cables 4x4	2
-	2-50150	5/16-18 x 1" Hex Hd Bolt	2
-	2-50007	5/16" Nylock Nut	2
131	2-11012	Throttle Cable, UTV	1
-	2-50087	1/4-20 x 1" Hex Hd Bolt	1
-	2-50000	1/4" Keps Nut	2
-	2-11804	Spring #80704 Black painted	1
133	2-11804	Spring #80704 Black painted	1
136	2-65500	fuel hose 3/16" dia - 24"	1
137	2-50849	hose clamps - small	3
138	2-18320	Belt Guard Plastic 650 UTV - Front	1
139	2-18324	Belt Guard Plastic 650 UTV - Rear	1
-	2-50624	#10 x 3/4" Blunt Point Black	7
-	2-50050	#10 Speed Nut - for Plastic	7
-	2-50770	#10 Flatwasher	7
150	2-25004	right angle gearbox	1
-	2-10184	Key, 3/16 x 1	3
151	2-20852	gearbox coupling <b>(before serial # 45918)</b>	1
-	2-20841	gearbox coupling <b>(after serial # 45918)</b>	
-	2-50163	bolt, 5/16 x 3/4" NC	2
-	2-50701	Washer, 5/16 flat	2

**NOTE: parts denoted as left or right hand are from driver's point of view.**

REFERENCE NUMBER	PART NUMBER	PART DESCRIPTION	QUANTITY REQUIRED
-	2-50703	Washer, 5/16 lock	2
152	2-18083	Gear Box Mount	1
153	2-18032	diff lock mount	1
-	2-50163	bolt, 5/16 x 3/4" NC	2
-	2-50701	Washer, 5/16 flat	2
-	2-50703	Washer, 5/16 lock	2

## HEADLIGHT REPLACEMENT BULBS AND ASSEMBLIES FOR ASW UTILITY VEHICLES



Measurements are taken from left to right of the visible portion of the lens



7625 DiSalle Boulevard  
Fort Wayne IN 46825

62194 Commercial Street  
Roseland, LA 70456

Toll Free 800-643-7332  
Fax 800-399-1399  
www.amsportworks.com