



**AMERICAN  
SPORTWORKS®**

800-643-7332 • [amsportworks.com](http://amsportworks.com)

## **LMC4 CREW CAB**

WITH 653cc SUBARU ENGINE



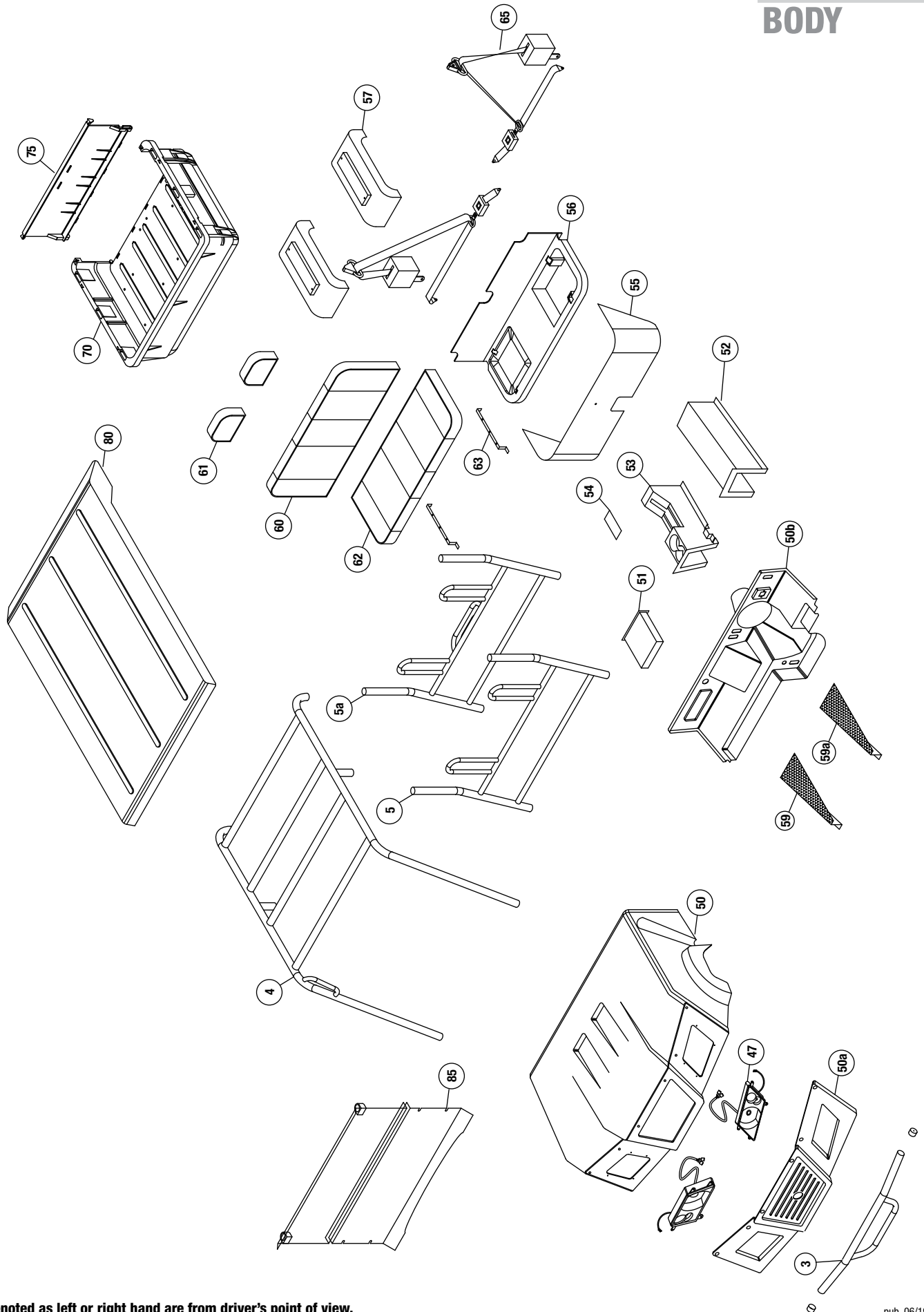
**653CC 4 WHEEL DRIVE CREW CAB UTILITY VEHICLE**

**ILLUSTRATED PARTS LIST**

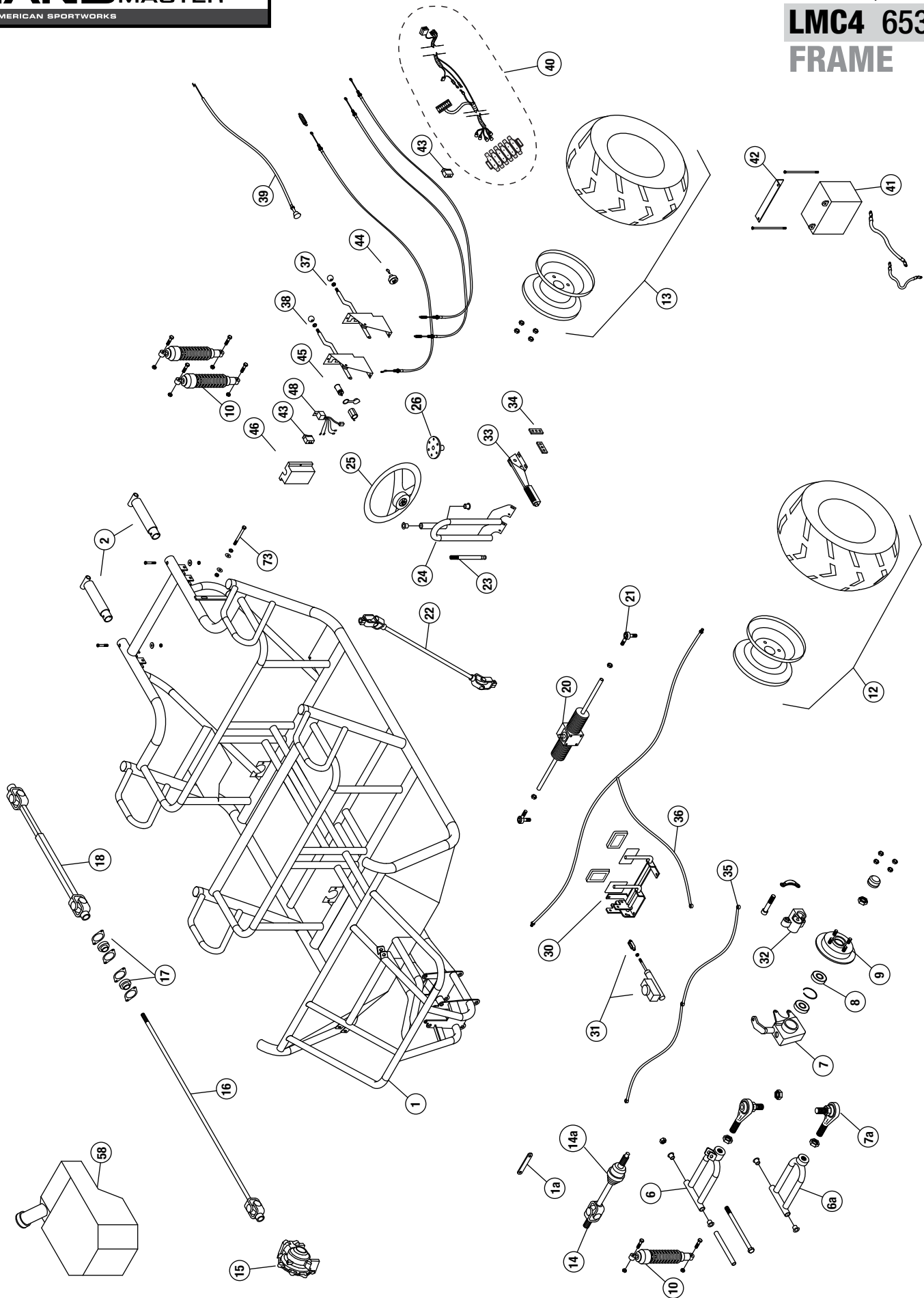


**NOTE:**

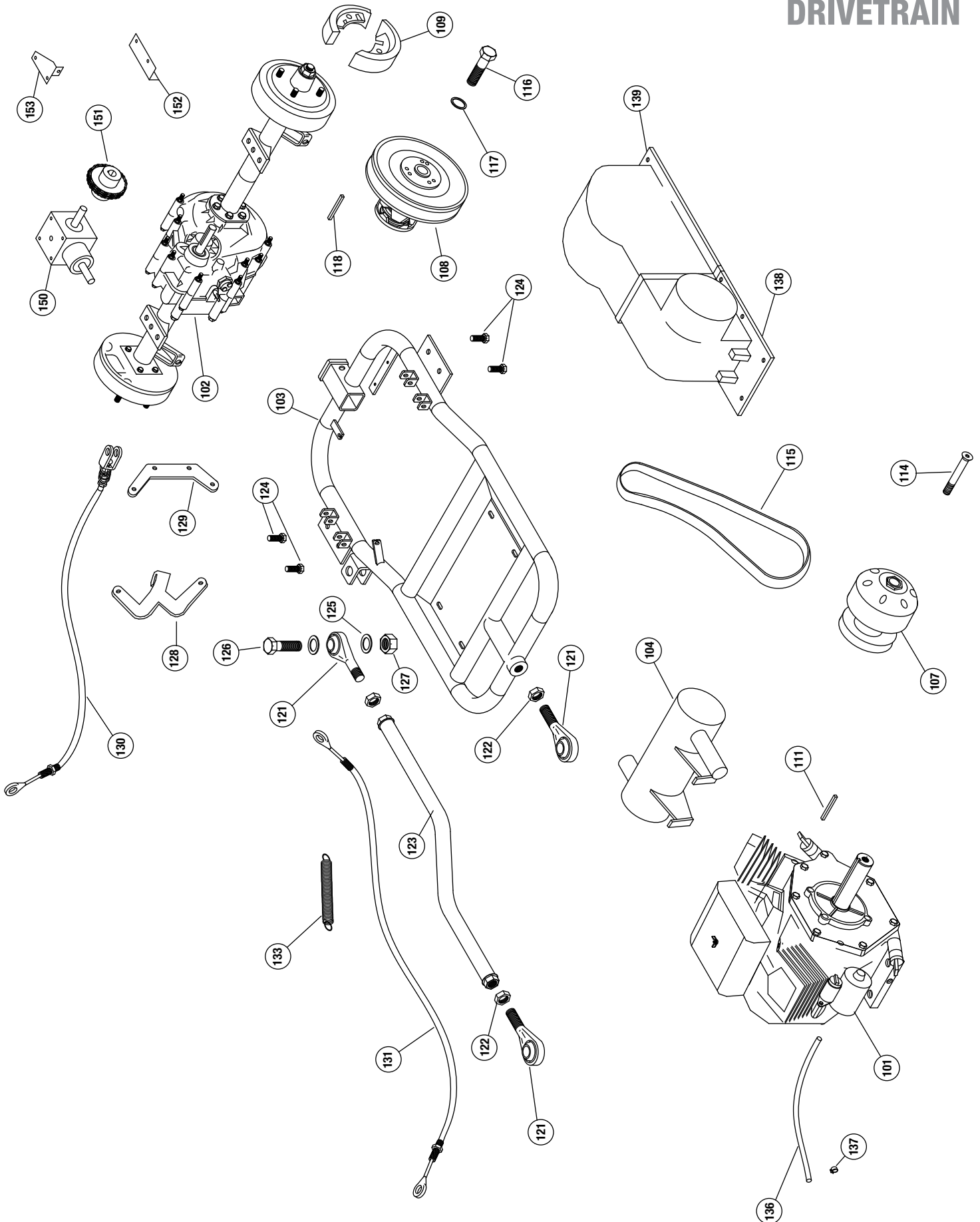
Some part numbers vary by serial number.  
The serial number is located on a brass tag  
beneath the dump bed on the driver side.



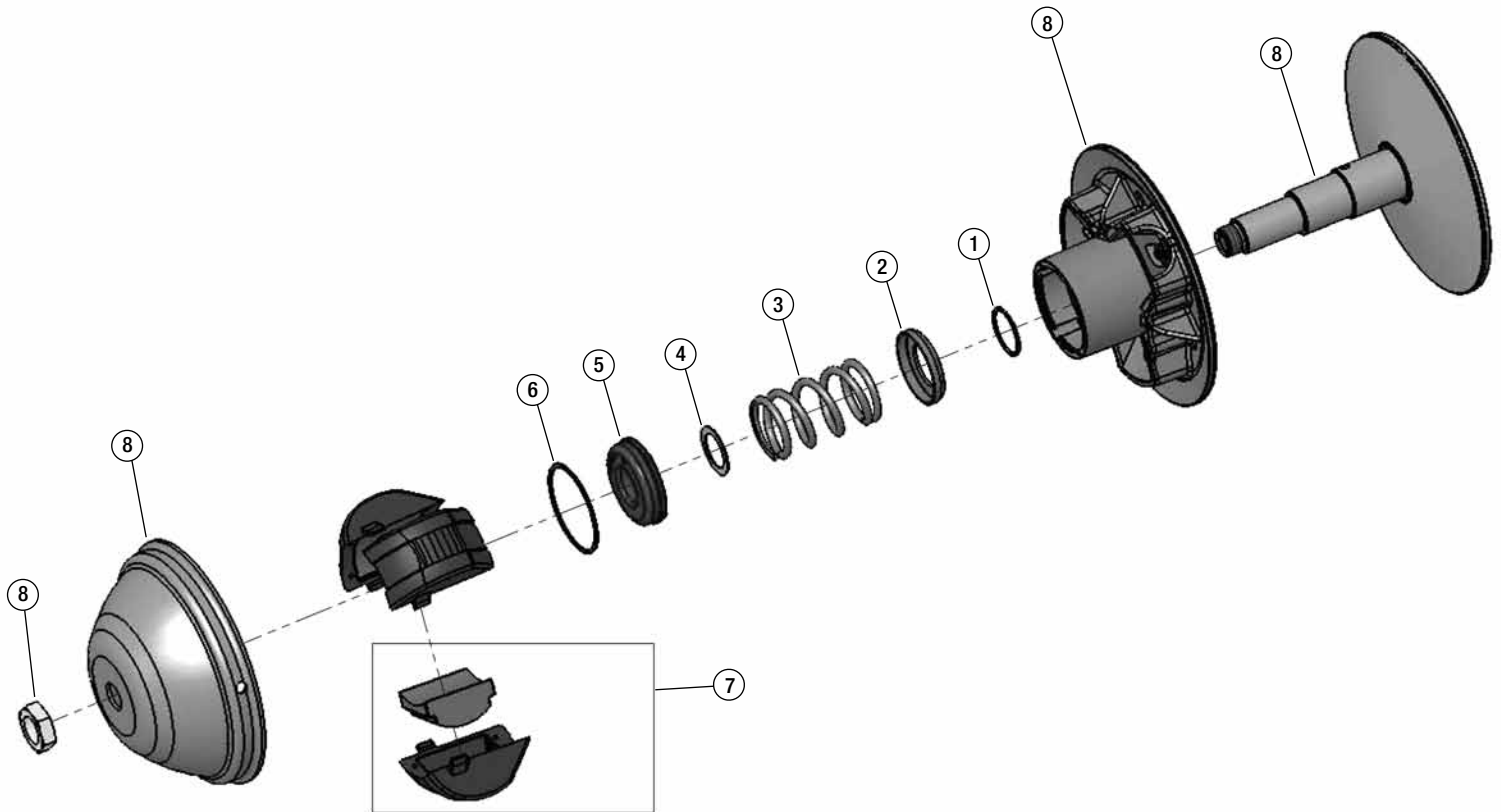
**NOTE:** parts denoted as left or right hand are from driver's point of view.



**NOTE: parts denoted as left or right hand are from driver's point of view.**



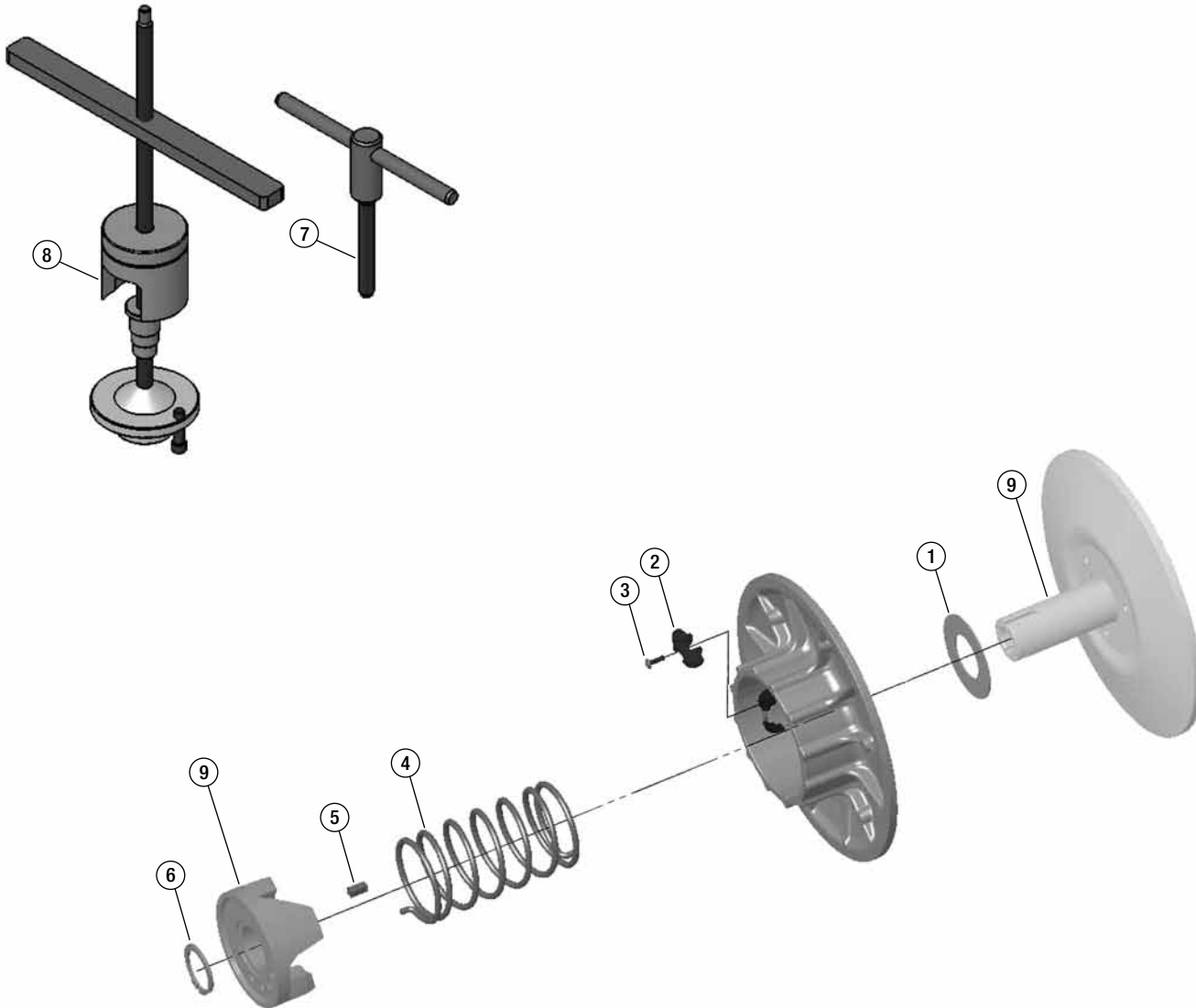
**NOTE:** parts denoted as left or right hand are from driver's point of view.



Ref#	Part#	Description	Qty
1	16374	WASHER	1
2	16375	SPRING GUIDE	1
3	16376	SPRING	1
4	16377	SHIM	1
5	16378	EXTERNAL BUSHING	1
6	16379	INTERNAL SNAP RING	1
7	16380	CENTRIFUGAL MASS	3
8	2-20662	THIS PART IS ONLY AVAILABLE WITH THE ENTIRE ASSEMBLY	



ENTIRE ASSEMBLY (2-20662)



Ref#	Part#	Description	Qty
1	16381	WASHER	1
2	16382	CAM SHOE	3
3	16383	SCREW	3
4	16384	SPRING	1
5	16385	KEY	1
6	16386	SNAP RING	1
7	16387	DISASSEMBLY TOOL	1
8	16388	FLANGE SPREADER	1
9	2-20661	THIS PART IS ONLY AVAILABLE WITH THE ENTIRE ASSEMBLY	



ENTIRE ASSEMBLY (2-20661)

REFERENCE NUMBER	PART NUMBER	PART DESCRIPTION	QUANTITY REQUIRED
1	-	Frame, - Crew Cab 4x4	1
1a	2-18112	Tie Bar (metal strip to connect A-arm mount front)	1
2	2-45401	Rear frame stub, CW - black	2
-	2-50206	bolt, 3/8 x 1	8
-	2-50013	nut, 3/8 keps	8
3	2-45439	Landmaster Front Bumper	1
-	2-50167	bolt, 5/16 x 2	4
-	2-50007	nut, 5/16 nylock	4
-	2-50702	bent washer 5/16	4
-	2-70210	1.75" Round Tubing Plug	2
4	2-45452	brshgrd roof, CW - black	1
-	2-50168	5/16 x 2-1/4" USS Socket Head bolt	6
-	2-50007	nut, 5/16 nylock	6
-	2-50702	bent washer 5/16	6
5	2-45411	brshgrd seat back, CW – Rear - black	1
-	2-50172	5/16 x 2" USS Socket Head bolt	2
-	2-50007	nut, 5/16 nylock	2
-	2-50702	bent washer 5/16	2
5a	2-45453	brshgrd seat back with cupholder, CW – Front - black	1
-	2-50172	5/16 x 2" USS Socket Head bolt	2
-	2-50007	Nut, 5/16 nylock	2
-	2-50702	Bent washer 5/16	2
6	2-45445	A-arm, 4x4 Double A-arm Front UPPER- black	2
6a	2-45446	A-arm, 4x4 Double A-arm Front LOWER- black	2
-	2-51102	suspension bushings	2 ea
-	2-50225	bolt, 3/8 x 8"	1 ea
-	2-50010	Nut, 3/8 nylock	1 ea
-	2-42114	spacer, 3/8 ID 6.93" in length	1 ea
7	2-40554	Spindle Welded assembly, left (After Serial# 47273)	1
-	2-40558	Spindle Welded assembly, left (Before Serial# 47273)	
-	2-40555	Spindle Welded assembly, right (After Serial# 47273)	1
-	2-40559	Spindle Welded assembly, right (Before Serial# 47273)	
-	2-15839	Spindle Box, left - <b>COMPLETE ASSEMBLY</b> includes 1 brake rotor (2-25011) and 2 bearings (2-25021)	1
-	2-15840	Spindle Box, right - <b>COMPLETE ASSEMBLY</b> includes 1 brake rotor (2-25011) and 2 bearings (2-25021)	1
7a	2-10598	Rod End (Heim Joint) 3/4" Studded	4
-	2-25022	Snap Ring	4
8	2-25021	Front Spindle Bearing	4
-	2-50021	Nut, 3/4 JAM	4
9	2-25011	Hub / 8.75" rotor 4x4	2
-	2-25018	Wheel stud, 1/2 -20 X 1 5/8"	
-	2-50073	Nut, 5/8 Half Nylock	2
10	2-14535	Shock, Heavy Duty, Chrome/Yellow	2
-	2-30623	Metal Dust Cap (Front Only)	2
-	2-70209	Rubber Dust Cap (Rear Only)	2
-	2-50060	Lug nuts, 1/2"	16
11	2-70301	Shock, Rear, Black/Yellow (Before Serial #52767)	4
-	2-70302	Shock, Rear, Black (After Serial #52767)	4
-	2-50400	Bolt, 10 mm x 40mm	6
-	2-50404	10 mm x 70mm bolt	2
-	2-50065	Nut, 10mm nylock	8

**NOTE: parts denoted as left or right hand are from driver's point of view.**

REFERENCE NUMBER	PART NUMBER	PART DESCRIPTION	QUANTITY REQUIRED
-	2-45150	spacer, shock	2
12L	2-30149	Rim/Tire Assembly, UTV 25/11-12" Left	1
12R	2-30150	Rim/Tire Assembly, UTV 25/11-12" Right	1
-	2-30481	Wheel rim, 12" (Up to serial # 53303)	
	2-30481-B	Wheel rim, 12" - Black (After serial # 53303)	
-	2-30199	UTV 25/11-12 Tire only	
13L	2-30149	Rim/Tire Assembly, UTV 25/11-12" Left	1
13R	2-30150	Rim/Tire Assembly, UTV 25/11-12" Right	1
-	2-30481	Wheel rim, 12" (Up to serial # 53303)	
	2-30481-B	Wheel rim, 12" - Black (After serial # 53303)	
-	2-30199	UTV 25/11-12 Tire only	
14	2-20851	CV half shaft (axle)	2
-	2-20863	CV half shaft (axle) (After serial #41746)	2
14a	----->	CV Boot (P/N 2-20868 fits 2.5" bell / 2-20873 fits 3" bell) 1 per half shaft	
-	16175	Circlip, 24.5 x 1.6	2
15	2-20839	front differential - 4x4	1
-	2-50206	Bolt, 3/8 x 1	4
-	2-50740	washer, 3/8 flat	4
-	2-50741	washer, 3/8 lock	4
16	2-25017	drive shaft, front	1
-	2-50092	bolt, 1/4 x 2"	2
-	2-50000	nut, 1/4 keps	2
17	2-25008	bearing, shaft support	2
-	2-50163	bolt, 5/16 x 3/4" NC	4
-	2-50005	Nut, 5/16 keps	4
18	2-25016	drive shaft, rear	1
-	2-50628	Screw, 1/4-20 x 1/2" square head set	1
-	2-10184	key, 3/16 x 1	3
20	2-10596	Rack & Pinion, 4x4 Double A-arm	1
-	2-50171	Bolt, 5/16 x 3 3/4" USS	4
-	2-50005	Nut, 5/16 keps	4
21	2-10589	Rod end 4x4	2
-	2-10593	Rack boot	2
22	2-10526	Steering Shaft w/u-joints 4x4	1
-	2-50402	Bolt, 10mm x 30mm	1
-	2-50066	Nut, 10mm Tri Lock Jam	1
-	2-50403	Bolt, 8mm x 30mm	1
-	2-50780	Lock washer, 8mm	1
23	2-10520	Steering Stub Shaft Landmaster Double Splined	1
24	2-45462	Steering support, LM - black	1
-	2-51102	suspension bushings	2 ea
-	2-50152	bolt, 5/16 x 1	4
-	2-50005	Nut, 5/16 keps	4
25	14845	Steering Wheel (used for <b>serial number 48598</b> and above)	1
-	14846	Center cap (used for <b>serial number 48598</b> and above)	1
-	2-10508	Center cap (used for <b>serial number 48598</b> and below)	1
-	2-10509	Steering Wheel (used for <b>serial number 48598</b> and below)	1
26	2-18169	Steering Washer	1
-	2-50636	bolt, 1/4 x 3/4 SS Socket Head	6
-	2-50001	Nut, 1/4 Nylock	6

NOTE: parts denoted as left or right hand are from driver's point of view.



REFERENCE NUMBER	PART NUMBER	PART DESCRIPTION	QUANTITY REQUIRED
-	2-50098	Tapered Bolt	1
30	2-42106	Pivot Pedal Asm, Black	1
-	2-70261	Pedal cover, rubber	2
-	2-50152	bolt, 5/16 x 1	6
-	2-50081	bolt, 1/4 x 1 3/4"	1
-	2-50159	bolt, 5/16 x 1 1/2	1
-	2-50005	Nut, 5/16 keps	8
-	2-50701	Washer, 5/16 flat	2
31	2-11123	master cylinder	1
-	2-50167	bolt, 5/16 x 2	2
-	2-50005	Nut, 5/16 keps	2
-	2-50806	Clevis, 5/16 rod end	1
-	2-50077	Nut, 5/16" Hex SAE	1
32	2-11124	brake caliper (pads not included)	2
-	2-11167	brake pads (individual)	4
-	2-11168	brake pins	4
-	2-11169	brake clips	4
33	2-11127	Parking Brake	1
-	2-50086	Bolt, 1/4 x 1 1/4	1
-	2-50001	nut, 1/4" nylock	1
-	2-50163	bolt, 5/16 x 3/4" NC	4
-	2-50005	Nut, 5/16 keps	4
-	2-50701	Washer, 5/16 flat	4
34	2-18038	Brake spreader	2
-	2-50152	bolt, 5/16 x 1	4
-	2-50007	nut, 5/16 nylock	1
35	2-11135	Brake hose, front	1
36	2-11141	Brake hose, rear	1
37	2-45522	Shifter Assembly	1
-	2-11093	Knob, Shifter Imprinted	1
-	2-11018	Cable, shifter	2
-	2-50053	nut, #10-24 Keps nut	2
-	2-50616	screw, #10-24 X 3/4" Pan Head phillips	2
-	2-50770	Washer, #10 flat	2
38	2-45522	Differential Control Assy	1
-	2-11092	Knob, Differential Imprinted	1
-	2-11019	cable, diff lock	
-	2-50053	nut, #10-24 Keps nut	2
-	2-50616	screw, #10-24 X 3/4" Pan Head phillips	2
-	2-50770	Washer, #10 flat	2
-	2-50087	1/4-20 x 1" Hex Hd Bolt	1
-	2-50000	1/4" Keps Nut	2
-	2-50159	5/16-18 x 1 1/2" Hex Hd Bolt	1
-	2-50005	5/16" Keps Nut	2
39	2-11017	Choke Cable	1
40	2-70148	Wire Harness - Crew	1
40a	2-70094	Key Switch Adapter Harness	1
41	2-70000	Battery, U1L-8250-UTV	1
-	2-70002	Battery Cable, Red - 19"	1
-	2-70010	Battery Cable, Black 27"	1

**NOTE: parts denoted as left or right hand are from driver's point of view.**

REFERENCE NUMBER	PART NUMBER	PART DESCRIPTION	QUANTITY REQUIRED
-	2-70009	Battery Terminal Cover	2
-	2-50087	bolt, 1/4" x 1	2
-	2-50000	nut, 1/4" keps	2
42	2-45414	Battery strap, CW (8 3/4") - black	1
-	2-50083	bolt, 1/4 x 7 1/2	2
-	2-50002	nut, 1/4" wing	2
43	2-70066	Headlight Switch	1
-	2-70067	Printed Switch 4WD/2WD	1
44	2-70058	Key Switch (keys included) <b>USED ON VEHICLES MANUFACTURED BEFORE SERIAL NUMBER 58843</b>	1
-	2-70060	Key <b>USED ON VEHICLES MANUFACTURED BEFORE SERIAL NUMBER 58843</b>	1
-	2-70093	Key Switch (keys included) <b>USED ON VEHICLES MANUFACTURED AFTER SERIAL NUMBER 58843</b>	1
-	2-70092	Key set (includes 2 keys) <b>USED ON VEHICLES MANUFACTURED AFTER SERIAL NUMBER 58843</b>	1
45	2-70080	Accessory Plug	1
-	2-70081	Accessory Plug cap	1
46	2-18500	Terminal Block Cover - plastic	1
-	2-50625	screw, #10-24 X 1" Pan Head phillips	2
-	2-50053	nut, #10-24 Keps nut	2
47	<b>SEE LAST PAGE FOR HEADLIGHT INFORMATION</b>		
48	2-70019	Relay w/harness, 4x4	1
50	2-18334	Hood LM, Red	1
-	15977	Hood LM, "Spencer" Green	1
-	2-18346	Hood LM, Camo	1
-	2-18342	Hood LM, White	1
50a	2-18341	UTV Grille LM Black	1
50b	15979	UTV Dash LM Black	1
-	2-50817	Push Pin Black Plastic	16
-	2-50621	1/4" x 2" Phillip Head Machine Screw	1
-	2-50001	nut, 1/4" nylock	1
-	2-50846	Clamp-Tube-vinyl coated 1-1/4"	2
51	2-18309	Glove Box	1
-	2-50624	Screw, #10 x 3/4 hex - black	5
52	2-18089	Center Console, Rear	1
-	2-50624	Screw, #10 x 3/4 hex - black	14
53	2-18383	Center Console 4x4, Front	1
-	2-50624	Screw, #10 x 3/4 hex - black	14
54	2-18316	Access Cover, Center Console	1
-	2-50624	Screw, #10 x 3/4 hex - black	4
55	2-18382	Plastic, Seat Bottom wrap 4x4	2
-	2-50624	Screw, #10 x 3/4 hex - black	10
56	2-18355	Underseat storage box	2
57	2-18303	Rear Fender - Universal	2
-	2-50001	nut, 1/4 nylock	4
-	2-50087	Bolt, 1/4"-20 X 3/4" Hex Head	4
-	2-50717	1/4" SAE Flat washer	4
58	2-55069	Fuel Tank, Flambeau <b>(used on units BEFORE serial number 58908)</b>	1
-	2-55077	Fuel Tank, QMI <b>(used on units AFTER serial number 58908)</b>	1
-	15698	Clamp, 3/8 Spring Tube	1
-	2-65503	UTV, Fuel Line 3/16" black	1
-	2-55063	Elbow Fuel Inlet with #200 Mesh Screen	1
-	2-55062	Fuel Fitting Grommet	1

**NOTE: parts denoted as left or right hand are from driver's point of view.**

REFERENCE NUMBER	PART NUMBER	PART DESCRIPTION	QUANTITY REQUIRED
-	2-55073	Fuel Tank Cap <b>(used with Flambeau fuel tank)</b>	1
-	2-55066	Fuel Tank Cap <b>(used on units AFTER serial number 58908 with QMI opaque fuel tank)</b>	1
-	2-55071	Fuel Tank Straps	2
-	2-50010	Nut, 3/8 Nylock	4
-	2-50740	Washer, 3/8 Flat	4
59	2-18033	Shaft guard, Front	1
-	2-50163	bolt, 5/16 x 3/4" NC	3
-	2-50005	Nut, 5/16 keps	4
-	2-50171	Bolt, 5/16 x 3 3/4" USS	1
-	2-45506	Drive Shaft Cover Spacer - Black	1
59a	2-18147	Shaft guard, Rear	1
-	2-50163	bolt, 5/16 x 3/4" NC	-
-	2-50005	Nut, 5/16 keps	-
-	2-50171	Bolt, 5/16 x 3 3/4" USS	-
-	2-45506	Drive Shaft Cover Spacer - Black	-
60	2-10771	Seat back – <b>BLACK &amp; GREY</b> – 43 ½ x 17 ½	2
60	2-10754	Seat back – <b>BLACK</b> – 43 ½ x 17 ½	2
-	2-50619	#14 X 1-3/4" Pan head-Tapping screw	12
61	2-10773	Headrest – <b>BLACK &amp; GREY</b> – 9 x 6 ½	4
61	2-10803	Headrest – <b>BLACK</b> – 9 x 6 ½	4
-	2-50085	bolt, 1/4 x 1 1/2"	8
62	2-10772	Seat bottom – <b>BLACK &amp; GREY</b> – 43 ½ x 17 ½	2
62	2-10755	Seat bottom – <b>BLACK</b> – 43 ½ x 17 ½	2
63	2-45416	seat bar, CW (17 1/2") - black	4
-	2-50609	#14 x 3/4 pan head tapping	12
65	14786	Seatbelt, retractable without sleeve	4
-	8375	Seatbelt plastic sleeve - 7" length	4
-	2-50025	7/16 Nylock	8
70	2-18356	Dump Bed UTV <b>STRUCTURAL FOAM POLYURETHANE</b>	1
-	2-50255	5/8 x 4" bolt Zinc plate	2
-	2-50015	5/8 nylock	2
-	2-18413	Bed Bumper 3/8" Rubber	2
73	2-50208	Bed latch bolt, 3/8 x 2 1/2"	1
-	2-50013	nut, 3/8 keps	2
-	2-50740	washer, 3/8 flat	2
75	2-18357	Dump Bed Tailgate UTV <b>STRUCTURAL FOAM POLYURETHANE</b>	1
80	2-55024	Black Diamond Plate Aluminum Roof Kit	1
-	2-50846	Clamp-Tube-vinyl coated 1-1/4"	12
-	2-50087	bolt, 1/4" x 1	12
-	2-50717	1/4" SAE Flat washer	12
-	2-50001	nut, 1/4" nylock	12
85	2-18411	Windshield - clear	
-	2-18407	Tube Mount, Windshield	
88	2-40729	Front reciever hitch 4x4 kit	1
-	2-50162	Bolt, 5/16 x 1-3/8 - U	4
-	2-50704	Washer, 5/16 Flat	8
-	2-50007	Nut, 5/16 Nylock	8
101	2-20019	Engine, Subaru V-Twin 653cc	1
-	2-50202	3/8-16 x 1 3/4" Hex Hd Bolt	4
-	2-50740	3/8" Flatwasher, USS	4

**NOTE: parts denoted as left or right hand are from driver's point of view.**

REFERENCE NUMBER	PART NUMBER	PART DESCRIPTION	QUANTITY REQUIRED
102	2-20838	Dana Transaxle	1
103	2-45437	Swing arm 650 4x4 - Black	1
104	2-52018	Kit, Muffler 650	1
-	-	Muffler, Mid Mount (included in muffler kit)	1
-	2-50206	Bolt, 3/8 x 1 Hex Head	2
-	2-50010	Nut, 3/8 Nylock	2
-	2-50740	Washer, 3/8 Flat	4
-	-	Muffler, Lower Mount (included in muffler kit)	1
-	2-70251	Rubber Mount	2
-	2-50010	Nut, 3/8 Nylock	4
-	2-50740	Washer, 3/8 Flat	4
107	2-20662	TC, Driver CV Tech <b>(parts list on page 5)</b>	1
108	2-20661	TC, Driven 10.25" CV Tech <b>(parts list on page 6)</b>	1
109	2-11173	Brake Shoes - Rear UTV – Dana "1 set for each wheel"	2
110	2-50745	1" I.D. Spacer Washer	4
111	2-10190	3/16 x 1/4 x 1-1/2" Keystock (for use with CV Tech driver pulley)	1
114	2-50226	Bolt, Tapered	1
115	2-20698	Belt, CV Tech Power Block	1
116	2-50239	Bolt 1/2" x 2" SAE	1
117	2-50722	1/2" Lock Washer	1
118	2-10191	3/16 x 3/16 x 3-1/4" Keystock (for use with CV Tech driven pulley)	1
-	2-50157	5/16x 3/4" Bolt Hex Hd NF	2
-	2-50703	5/16" Lock Washer	2
-	2-50704	5/16" Flatwasher	2
121	2-10583	Rod End Sphcl-UTV (4681-MPM-12)	1
122	2-50021	3/4 Jam nut SAE	3
123	2-42093	Panhard bar, CW 4x4 - black	1
124	2-50206	bolt, 3/8 x 1	4
-	2-50010	3/8" Nylock Nut	4
-	2-50740	3/8" Flatwasher, USS	4
126	2-50280	3/4 x 2.5 SAE bolt	3
127	2-50020	3/4 SAE nylock	3
128	2-18012	shifter lever, CW - black	1
-	2-50084	1/4-20 x 3/4" Hex Hd Bolt	2
-	2-50000	1/4" Keps Nut	4
129	2-18011	shifter cable mount, CW - black	1
130	2-11020	Parking Brake Cables 4x4	2
-	2-50150	5/16-18 x 1" Hex Hd Bolt	2
-	2-50007	5/16" Nylock Nut	2
131	2-11016	Throttle Cable, UTV	1
-	2-50087	1/4-20 x 1" Hex Hd Bolt	1
-	2-50000	1/4" Keps Nut	2
-	2-11804	Spring #80704	1
133	2-11804	Spring #80704	1
136	2-65500	fuel hose 3/16" dia - 24"	1
137	2-50849	hose clamps - small	3
138	2-18320	Belt Guard Plastic 650 UTV - Front	1
139	2-18324	Belt Guard Plastic 650 UTV - Rear	1
-	2-50624	#10 x 3/4" Blunt Point Black	7
-	2-50050	#10 Speed Nut - for Plastic	7

**NOTE: parts denoted as left or right hand are from driver's point of view.**

REFERENCE NUMBER	PART NUMBER	PART DESCRIPTION	QUANTITY REQUIRED
-	2-50770	#10 Flatwasher	7
150	2-25004	right angle gearbox	1
-	2-10184	Key, 3/16 x 1	3
151	2-20852	gearbox coupling	1
-	2-20841	gearbox coupling (after serial # 45918)	
-	2-50163	bolt, 5/16 x 3/4" NC	2
-	2-50701	Washer, 5/16 flat	2
-	2-50703	Washer, 5/16 lock	2
152	2-18083	Gear Box Mount	1
153	2-18032	diff lock mount	1
-	2-50163	bolt, 5/16 x 3/4" NC	2
-	2-50701	Washer, 5/16 flat	2
-	2-50703	Washer, 5/16 lock	2

**ADDITIONAL PARTS FOR "S" MODELS WITH STEEL BED / REAR FLIPSEAT**

-	2-45424	Steel Bed Black	1
-	2-45425	Steel Tailgate Black	1
-	2-70230	Rubber, Bumper – Dome - Large	2
-	2-55094	Flip Seat Kit-UTV	1

**HEADLIGHT REPLACEMENT BULBS AND ASSEMBLIES FOR ASW UTILITY VEHICLES**

**Bulb: p/n 2-70127**

**Assembly: p/n 2-70129**  
(5 1/4" oval)

**Bulb: p/n 2-70127**

**Assembly: p/n 2-70133**  
(4 3/8" rectangle)

**Bulb: p/n 2-70127**

**Assembly: p/n 15648**  
(3 1/4" Round)

**Bulb: Sealed housing no bulb available**

**Assembly: p/n 14768**  
(4" round)

**Light assembly: p/n 2-70158**  
(5" round)

**Amber reflector: p/n 14784**  
(2 1/4" Round)

**Bulb: p/n 2-70122**

**Plastic insert: p/n "Driver Side" 15944 (inner bezel)**  
15946 (outer bezel)

**Plastic insert: p/n "Passenger Side" 15943 (inner bezel)**  
15945 (outer bezel)

**Bulb: p/n 15304**

**Light assembly: p/n 2-70153 (driver side)**  
**Light assembly: p/n 2-70154 (passenger side)**

**Bulb: p/n 2-70146**

**Twist-in Bulb: Sylvania 1891 or equivalent**

**Push-in Bulb: Sylvania 2825 or equivalent**

Depending on your year of manufacture, this housing either has a "push-in" or "twist-in" bulb

Measurements are taken from left to right of the visible portion of the lens



7625 DiSalle Boulevard  
Fort Wayne IN 46825

Toll Free 800-643-7332  
Fax 800-399-1399  
www.amsportworks.com