



SCHAFFER DRIVELINE, LLC
 FREDERICKTOWN, OHIO, USA 43019
 SERVICE REPLACEMENT PARTS LISTING

MODEL NO : 012AJ399-1

DATE ISSUED: 1/25/2005

DESCRIPTION: Axle Assembly, Rear (FNR W/ Diff Lock) W/Output Shaft

REVISION "E" 11/10/2015

KEY NO.	SCHAFFER PART NO.	QTY	DESCRIPTION
1	012CH345-X	1++	Housing, Axle (W/ Idler Shaft)
2	012CH317	1++	Housing, Axle, Finished
3	012LK133	1	Kit, Detent
4	012HH122	1	Seal, Oil
5	012GV194-X	1	Assembly, Actuator
6	012SV118-X	1	Assembly, Shift Rod
7	012HH128	3	Seal, Oil
8	012TA381-1X	1	Assembly, Tube
9	012TA414-1X	1	Assembly, Tube
10	070HM282	6	Screw, Flange Head
11	012HM130-1	8	Screw, Socket Head
12	840293	4	Ring, Retaining
13	012HD106	2	Bearing, Ball
14	500024-6	2	Pin, Cotter
15	012WD129-X	1	Assembly, Brake
16	012WD130-X	1	Assembly, Brake
18	070HN218	8	Nut, Lock
19	012HN127	2	Nut, Hex Flange
20	012SR170-1	1	Shaft, Axle
21	012HM132-1	8	Bolt, Wheel
22	012WA123	2	Drum, Brake
23	012HU143X	2	Assembly, Hub, Wheel
24	012HM110-1	13	Screw, Flange Head
26	012HN120	13	Nut, Lock
27	002HG101	1	Plug, Rubber
28	012HN140	1	Vent
29	012HP120	2	Pin, Dowel
30	585965	1*	Bearing, Ball
31	012GS307	1**	Shaft, Input
32	012HS120-15	1	Shim
33	012HD111	1*	Bearing, Ball
34	012HD129	2*	Bearing, Ball
35	012HS121	2	Spacer, Flat
36	012HS126	1	Washer, Thrust
37	012HS125	1	Washer, Thrust
38	012GS202-X	1**	Gear Assembly, Forward
39	012GS302	1	Gear, Clutch
40	012GS337	1	Shaft, Intermediate
41	012GS204-X	1**	Gear Assembly, Reverse
42	012GS215	1**	Gear, Helical (Pinion)
43	012GS207-X	1**	Gear Assembly, Idler
44	012HR128	1	Ring, Retaining
45	002HD111	1*	Bearing, Ball
46	012GS216	1**	Gear, Helical (Ring)
47	012KD129	1	Assembly, Differential



SCHAFFER DRIVELINE, LLC
FREDERICKTOWN, OHIO, USA 43019
SERVICE REPLACEMENT PARTS LISTING

MODEL NO : 012AJ399-1

Page 2

48	012HN138	4	Nut, Lock
49	012HM129	4	Bolt, Hex
50	026HS104	1	Gear, Clutch, Diff Lock
51	012CH319	1++	Housing, Diff Lock
52	3112	1	Seal, Oil
53	012SV117-X	1	Assembly, Shift Shaft
54	314004	1	Lever, Actuating
55	4150221	1	Screw, Hex Head
56	4150223	1	Nut, Lock
57	012HD142	1*	Bearing, Ball
58	012SR171-1	1	Shaft, Axle
59	012HM137	6	Screw, Flange Head
60	002SJ100	1	Switch
61	012HH140	1	Seal, Oil
62	026HP100	2	Bushing – Dowel
63	012HG145	1	Drain Plug
64	012TD124	*	Kit, Ball, Bearing (Inc. 30, 33, 34, 45, 57)
65	012KG106	*	Kit, Gear, Set (Inc. 31, 38, 41, 42,43, 46)
66	012TF268	2	Mounting Bracket
67	026HN105	1	Nut, Flange
68	026HM105	1	Screw, Flange, Head
69	527A6-1	2	Screw, Self-threading
70	012KH111-X	*	Kit, Tube, Assy (Inc. 9, 66, 67, 68)

* - These Ball Bearings are available packaged together as a kit. Order part number 012KD124 for this kit.

** - The Internal Gears are available packaged together as a kit. Order part number 012KG106 for this kit.

++ - Sealant is to be applied between Left Hand and Right Hand Axle Housings. Sealant is to be applied between right hand axle housing and diff lock housing. Use Loctite Gasket Eliminator No. 518 or equivalent.

REVISION LOG:

REVISION "A" 4/7/06

ITEM #32 WAS 012LK134
REMOVED SHIM KIT NOTE +

REVISION "B" 3/21/06

ITEM #23 WAS 012HU137X

REVISION "C" 12/18/06

REMOVED ITEM 25
ITEM 24 WAS QTY 11

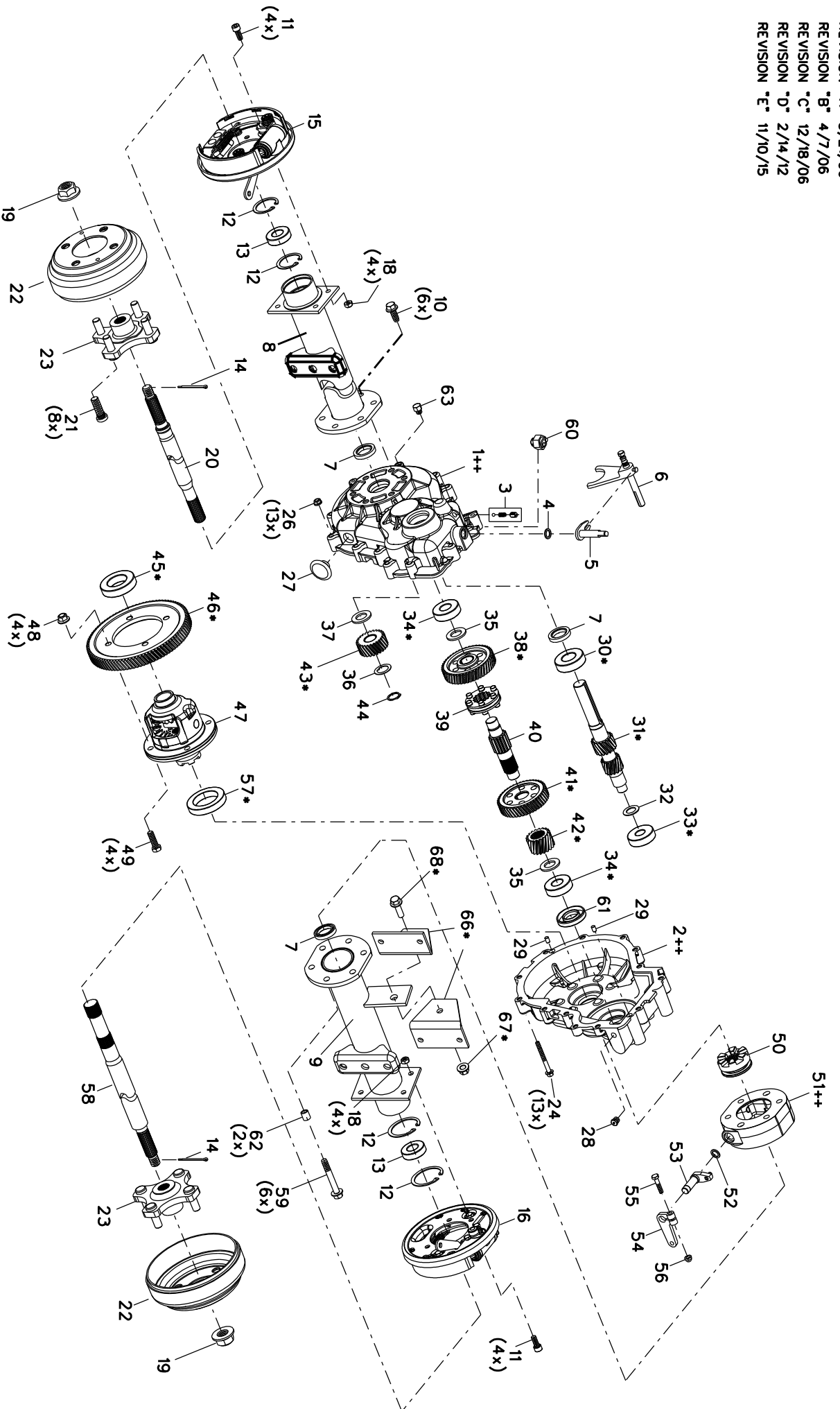
REVISION "D" 9/23/2008

Item #9 WAS 012TA380-1X
REMOVED ITEM #17
ADDED ITEMS #66, 67, 68, 69, 70

REVISION "E" 11/09/2015

ITEM #5 WAS 012GV164-X
ITEM #27 WAS 41356
ITEM #45 WAS 585994
ITEM #60 WAS 5803

REVISION "A" 3/21/06
 REVISION "B" 4/7/06
 REVISION "C" 12/18/06
 REVISION "D" 2/14/12
 REVISION "E" 11/10/15



• INCLUDED IN A KIT (SEE PARTS LIST)

SCHAEFER
 DRIVELINE
 FREDERICKTOWN, OHIO

MODEL 012AJ399-1