



SCHAFFER DRIVELINE, LLC
 FREDERICKTOWN, OHIO, USA 43019
 SERVICE REPLACEMENT PARTS LISTING

MODEL NO.: 012AS122-1

DATE ISSUED: 10/15/15

REVISION "A" 1/11/2016

DESCRIPTION: Axle Assembly, Rear, Gas

KEY NO.	SCHAFFER PART NO.	QTY	DESCRIPTION
1	012CH291-2X	1	Housing & Shaft Assembly, Left
2	012CH289	1	Housing, Right
3	012LK133	1	Detent Kit
4	012HH122	1	Seal, Oil
5	012GV194-X	1	Assembly, Actuator
6	012SV118-X	1	Assembly, Shift Rod
7	012HH128	1	Seal, Oil
8	012TA378	2	Assembly, Tube
9	012HH132	2	Seal, Oil
10	026HM107	12	Screw, Flange Head
11	840293	4	Ring, Retaining
12	012HD106	2	Bearing, Ball
13	012HM110-1	13	Screw, Flange Head
14	012HN120	13	Nut, Lock
15	002HG101	1	Plug, Rubber
16	012HN140	1	Vent
17	012HP120	2	Pin, Dowel
18	585965	1	Bearing, Ball
19	012GS307	1	Shaft, Input
20	012HS120-15	1	Shim
21	012HD111	1	Bearing, Ball
22	012HD129	2	Bearing, Ball
23	012HS121	2	Spacer, Flat
24	012GS202-X	1	Gear Assembly, Forward
25	012GS302	1	Gear, Clutch
26	012GS337	1	Shaft, Intermediate
27	012GS204-X	1	Gear Assembly, Reverse
28	012GS215	1	Gear, Pinion
29	012HH140	1	Seal, Oil
30	012HS125	1	Washer, Thrust
31	012GS207-X	1	Gear Assembly, Idler
32	012HS126	1	Washer, Thrust
33	012HR128	1	Ring, Retaining
34	002HD111	2	Bearing, Ball
35	012GS216	1	Gear, Ring
36	012DA133-X	1	Assembly, Differential

MODEL NO.: 012AS122-1

PAGE: 2

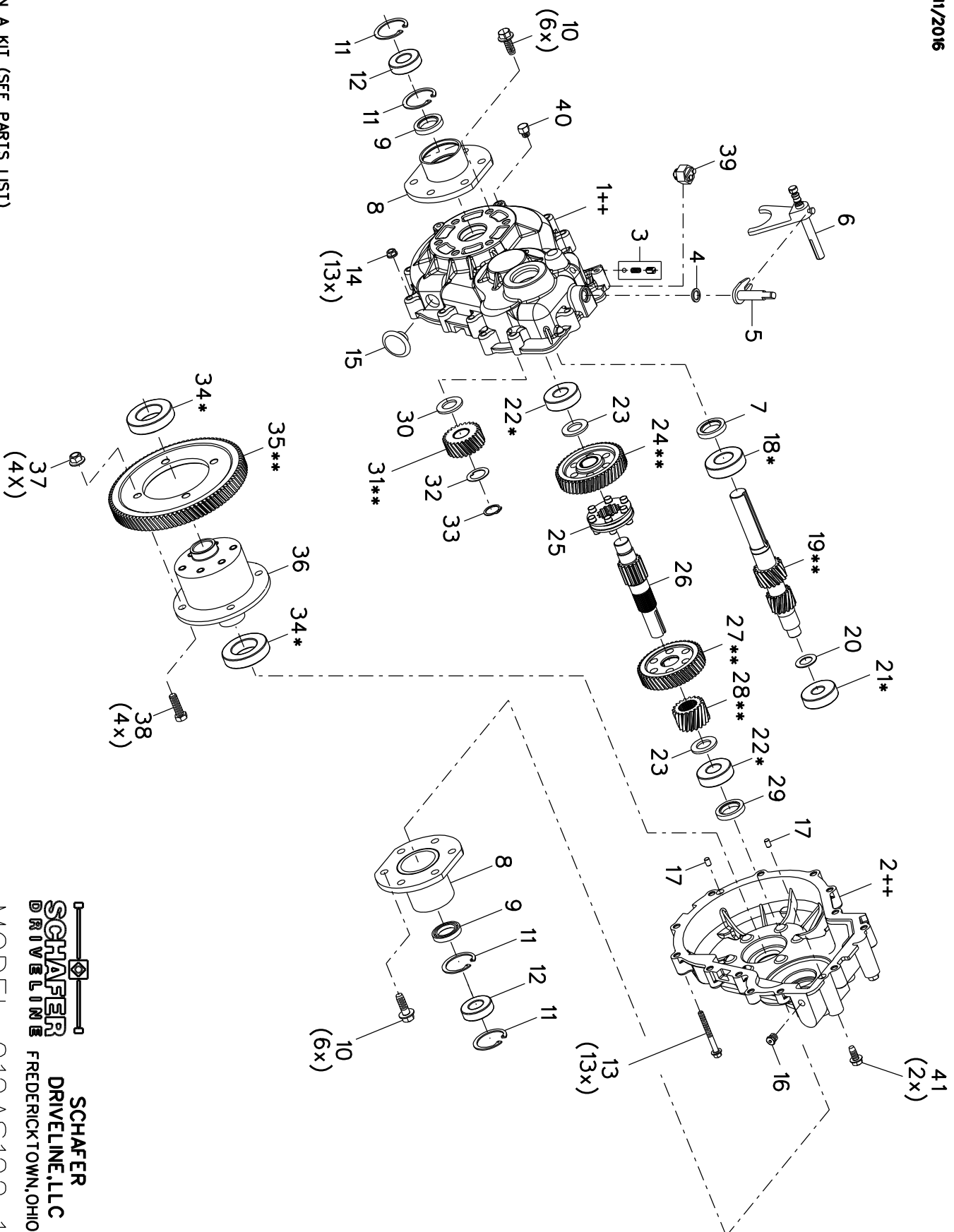
KEY NO.	SCHAFFER PART NO.	QTY	DESCRIPTION
37	012HN138	4	Nut, Lock
38	012HM129	4	Bolt, Hex
39	002SJ100	1	Switch
40	012HG145	1	Drain Plug
41	527A6-1	2	Screw, Flange Head

REVISION LOG:

REVISION "A" 1/1/2015

ITEM #5 WAS 012GV164-X

ITEM #34 WAS 585994



* INCLUDED IN A KIT (SEE PARTS LIST)
 ** SEALANT IS TO BE APPLIED (SEE PARTS LIST)

SCHAFFER
 DRIVELINE
 SCHAFNER
 DRIVELINE, LLC
 FREDERICKTOWN, OHIO
 MODEL 012AS122-1