

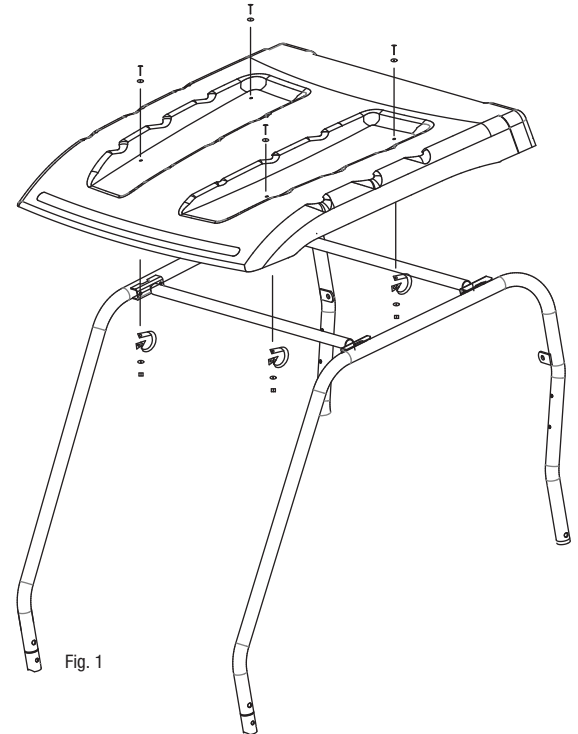
As illustrated below, this kit consists of:

Hard top (not pictured)	Qty: 1
Loop Clamps	Qty: 4
Hex head bolts	Qty: 4
Nyloc hex nuts	Qty: 4
Rubber backed washers	Qty: 4
Flat washers	Qty: 4

TOOLS REQUIRED*
7/16" Wrench
7/16" Socket and Ratchet

HARD TOP ROOF KIT (15911)

This kit is **ONLY** used on 2014 200 series LUTVs



Procedure:

- 1 Overhead bars must be installed prior to installation of the hard top.**
Ensure that the flat portion of the loop clamp is on the top side of the bars.
- 2** Pre-Install the (4) Rubber backed washers onto the (4) Hex head screws so that the metal portion of the washer is against the head of the screw.
- 3** Place the hard top on the overhead bars with the angled face towards the front of the unit as illustrated in figure 1.
- 4** Install (4) pre-assembled screws with rubber washers into the hard top from the top side.
- 5** Align the Loop clamps with each screw and install the (1) flat washer and (1) Nylock Hex nuts at each screw location.
- 6** Ensure that the top is centered and properly located front to rear.
Tighten each nut.

