

As illustrated below, this kit contains:

- Winch Mountable Bumper Qty: 1
- Winch Motor & Spool Qty: 1
- Hand Held Winch Controller Qty: 1
- Winch Hook Qty: 1
- Fairlead Qty: 1
- Fairlead Bracket Qty: 1
- Winch / Fairlead Bolts & Nuts Qty: 5
- Hook Strap Qty: 1
- Bumper Bolts / Nuts Qty: 4
- Terminal Covers Qty: 4

TOOLS REQUIRED		
Ratchet	16mm Socket	10mm Socket
13mm Socket	½" Socket	½" Wrench
12mm Wrench	17mm Wrench	Drill Motor
3/8" Drill Bit	1" Flat Drill Bit	Hydraulic Jack
Phillips Screwdriver	13mm wrench	Jack Stands or Auto Ramps

200 SERIES LUTV WINCH KIT (15969)

THIS KIT IS USED ON NEWER STYLE 200 SERIES LUTV MODELS



Older style 200



Newer style 200

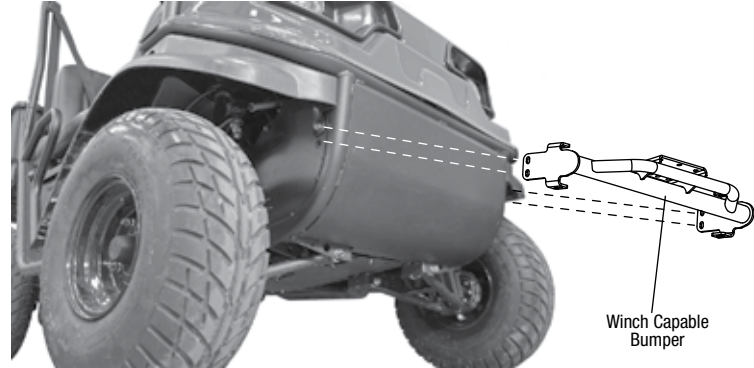
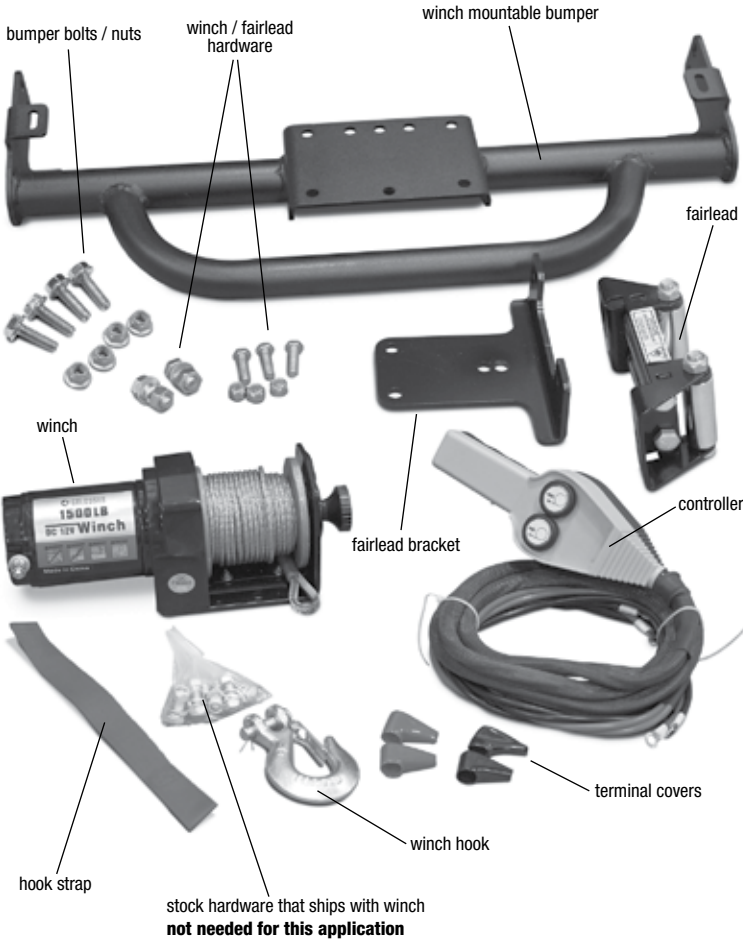


Fig. 1

2 Winch Bumper Installation

Pass the (3) 5/16-18 x 1" long bolts through the winch, the roller fairlead mounting bracket, and the bumper. Install the nylon locking nuts and tighten to 18lb. ft. Once installed, the winch motor housing should be toward the right (passenger side) and the vertical face of the roller fairlead mounting bracket should be forward and pointing "up" (as viewed from the driver's seat). Pass the (2) M10 x 25mm long bolts through the roller fairlead and the roller fairlead bracket's vertical face. Install the flat washer, lock washer, and nut. Tighten.

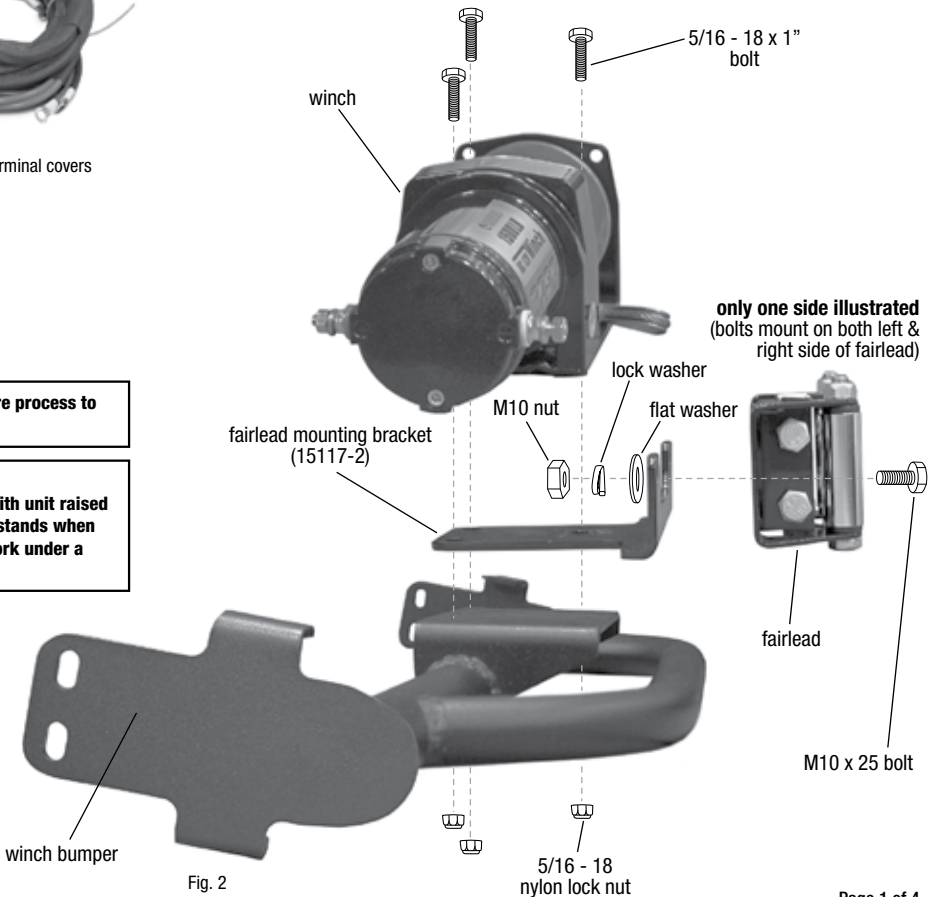


Fig. 2

WARNING Wear proper eye protection through the entire process to avoid potential eye injuries.

WARNING **RISK OF SERIOUS INJURY OR DEATH**

- Use wheel chock and set parking brake with unit raised
- Always use properly rated ramps or jack stands when working under a raised vehicle. Never work under a vehicle supported only by a jack

Procedure:

- 1 Chassis Preparation / Bumper Installation (figure 1)**
Using socket and wrench, remove the (2) nuts / bolts used to attach the fender flare and discard the bolts and nuts used on the fender flare. Install winch bumper using the (4) M8 x 30 bolts and nuts supplied and tighten the bolts to 18lb ft.

3 Winch Wiring Preparation (figure 3)

- Using the 3/8" Drill and 1" Flat Bit, a 1" hole will need to be drilled on the unit in order to install the winch.
- Hole is to be drilled on the rear backsplash just above the battery and will create access for the winch power from the battery.

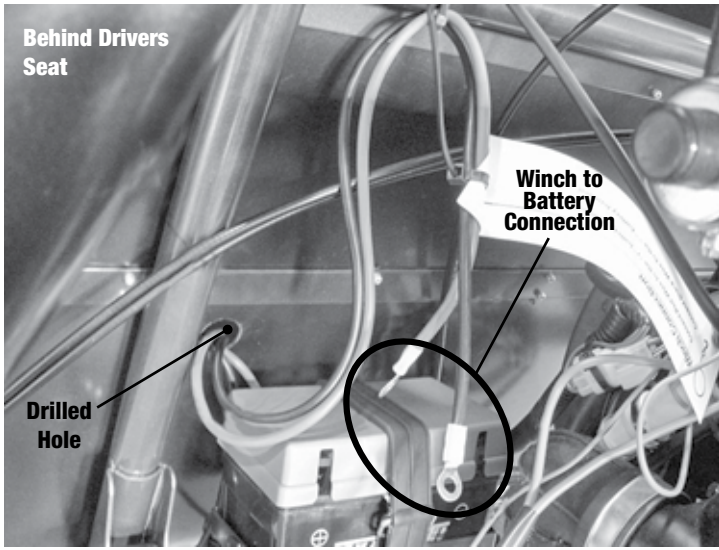


Fig. 3

4 Winch Wiring Installation (figures 4 & 5)

- Lay out the wiring harness such that the leads can be easily identified by length prior to installation.
- Place unit on properly rated jackstands or automotive ramps to allow access to the underbody channel. Secure vehicle with wheel chock and parking brake before attempting to work under the unit.

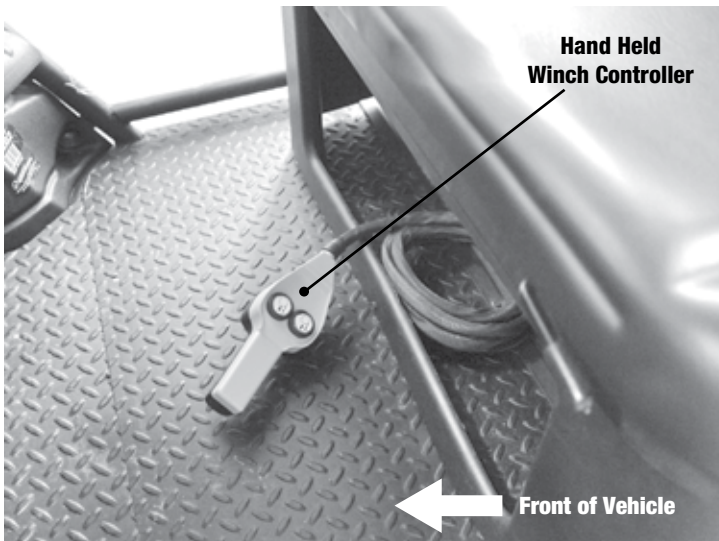


Fig. 4

- Feed all wires from inside the seat tub storage area thru the hole in the rear backplash. This will allow wire access to the battery connection and forward feed to the front mounted winch. (Ref Fig 3)
- Carefully route the long black and red pair of wires through the underbody channel to the front of the vehicle. (Ref Fig 4)



NOTE

Use caution to ensure that the wire insulation does not become damaged when feeding through the channel. Bare wires will ground to the frame and cause shorting or possible damage to the battery.

- Leave approximately 16" of wire at the front of the vehicle to allow adequate slack for attachment to the winch

5 Final Connections

- At the front mounted winch, connect the RED wire to the (+) terminal on the winch. Ensure that the connection is tight and that the supplied protective rubber terminal cover is installed. Repeat this process with the BLACK wire and the (-) terminal on the winch.
- Remove any excess slack from the lead wires by shifting towards the rear of the vehicle within the underbody channel. Use care to ensure that insulation does not become damaged or pinched.
- At the back of the vehicle, connect the RED wire to the (+) battery terminal as indicated on the battery casing.
- Connect the BLACK wire to the (-) battery terminal as indicated on the battery casing.
- Slack left in the storage tub should be covered in factory loom, any excess wire outside of the loom should be pulled through the hole and neatly tied to the frame using the supplied tie wraps.
- Using the supplied adhesive backed hook & loop material, attach winch control to any safe location.

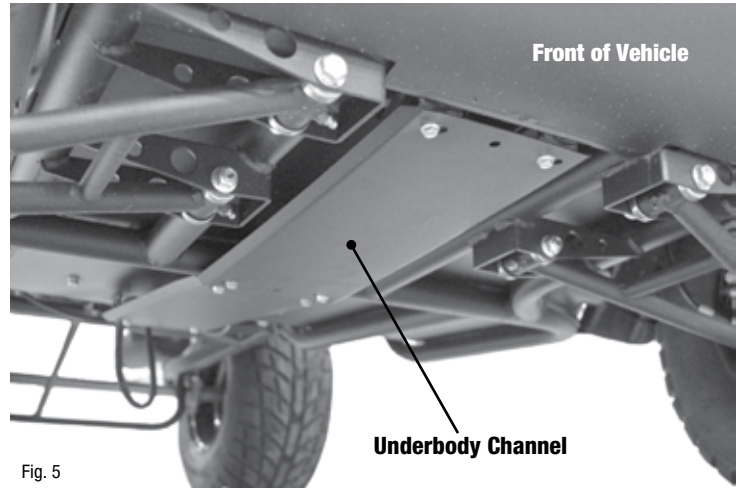


Fig. 5

6 Hook Installation

- Straighten the bent leg on the cotter pin on the winch hook and remove the cotter pin and clevis pin. Attach the winch hook to the wire rope loop as shown in figure 6. Replace the cotter pin and bend the cotter pin leg back to its original position.

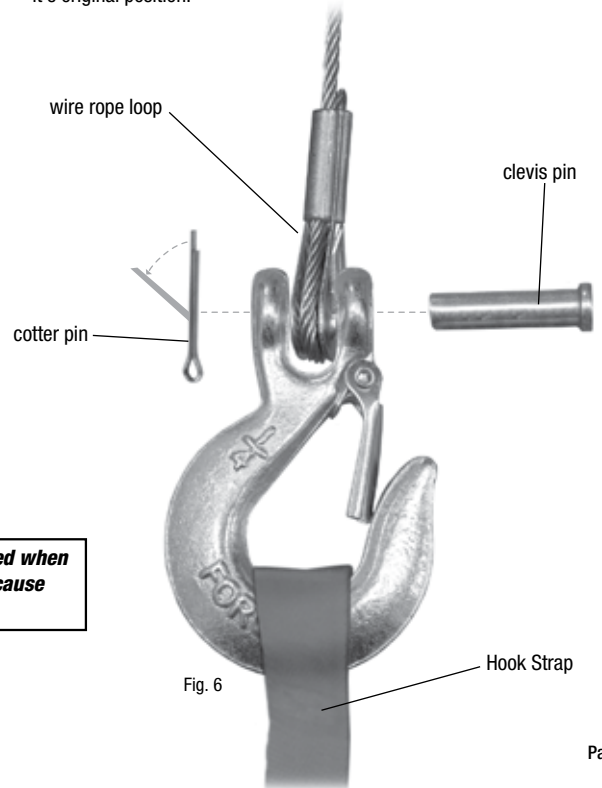


Fig. 6

Basic Operation

Check your vehicle:

- Check the battery level to ensure it is fully charged
- Examine the wire rope. Do not use the winch if the wire rope is frayed, kinked or damaged.
- Check the Winch electrical connections to ensure that they are tight and clean.
- Put the vehicle transmission in NEUTRAL.

Prepare the Winch:

- IF the vehicle with the winch is to remain in place during the winch operation, engage the parking brake and chock the wheels (chocks sold separately).
- Use the hook strap to pull out the wire rope by moving the Clutch Control Knob to the "Released" position by pulling it out and away from the winch then rotating it 90 degrees (see figure 6).

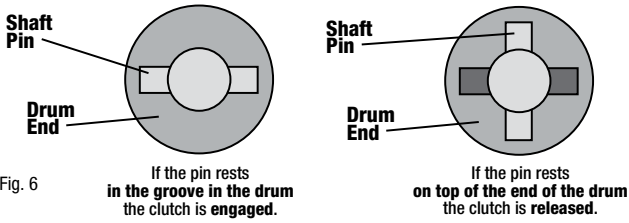
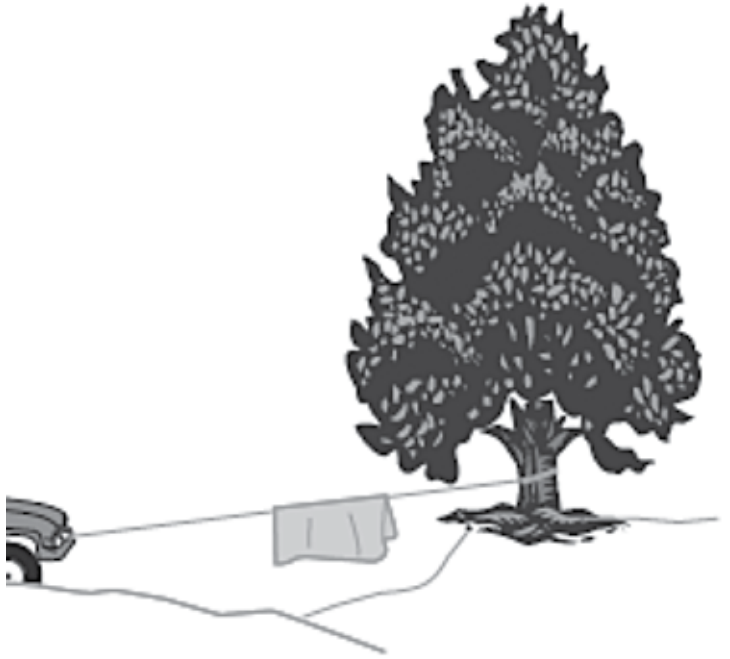


Fig. 6



- Move the Clutch Control Knob to the "Engaged" position.

WARNING Leave at least 5 full turns of wire rope on the drum.

Attach Winch to the Object:

- Attach to the object by using a pulling point, tow strap or chain.

CAUTION Do not wrap the wire rope around the object and hook onto the wire rope itself. This will damage the wire rope and object being pulled (see figure 7).



Fig. 7

WARNING Wire Rope may slip or break causing serious injury or death

- Briefly operate the control to ensure that the winch works properly.
 - **IN** - button should retract the winch cable
 - **OUT** - button should extend the winch cable
- If operation is reversed, the power connections to the winch may be connected backwards. Correct the wiring before continuing with operation.
- Standing aside the vehicle, retract the wire rope and winch the item as desired.

CAUTION Do not retract the hook all the way back into the winch roller guides as this will damage the roller and could lodge the hook in the winch

- Attachment point must be centered in the loop of hook and the safety clasp must be fully closed (see figure 8).

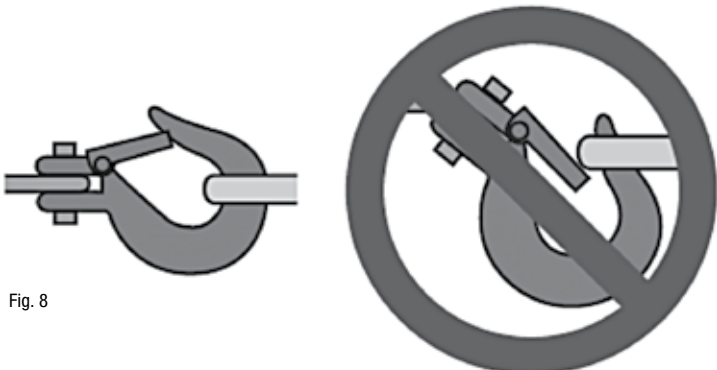


Fig. 8

Additional Winch Information

- When finished pulling the load, add slack to the wire rope by reversing the direction which will release tension and allow easy disconnection from the hook.

CAUTION

Constant duty loading of the winch will overheat the winch motor and may cause damage to both the winch and the battery.

- Duty Cycle: 5% - This winch is designed for intermittent use. The duty cycle is the amount of time the winch can operate at its maximum capacity for a 15 minute period of time.
 - 45 Seconds at max rated load
 - 14 minute rest between winching at rated load
- Double line rigging can be utilized to reduce the winch load. Appropriate pulley block (sold separately) is required for this technique.

CAUTION

Overwinding the wire rope into the roller guides can jam the winch causing it to not release with the twist knob.



WARNING

THE FOLLOWING MAY CAUSE SERIOUS INJURY OR DEATH!

- Wear ANSI approved safety gear including gloves, goggles and shoes.
- Entanglement may occur. Do not wear loose clothing or jewelry, as they may get caught in moving parts. Restrain long hair.
- Do not lift items vertically
- Do not use to lift or move people
- Do not use vehicle to pull on the wire rope and assist the winch
- Disconnect battery cables before working on or near the wire rope, drum, roller guides, or wire connections to prevent accidental starting
- Inspect the winch before each use. Cracks, bent parts, frayed or kinked rope will weaken the integrity of the winch and may cause sudden failure. A winch with damaged components or questionable wire rope must not be used
- Do not exceed the rated load capacity of the winch
- Be aware of dynamic loading! Sudden load movement may briefly create excess load causing product failure
- Do not release the clutch under load
- Do not place fingers through the hook. Fingers may get caught and entangled in winch roller guide. Use supplied strap to hold hook
- Stay clear of the wire rope when under load. Standing in the direct line of the wire rope or behind the winch while operating may cause serious injury or death if the wire rope were to break or slip.
- Do not use a recovery strap to winch. Recovery straps are designed to stretch and may suddenly break and spring back towards the operator
- Secure the load after moving. **This winch is not equipped with a locking mechanism**
- Keep at least 5 full turns of wire rope on the drum. Connection to the drum is not intended to sustain a full load.
- People with pacemakers should consult their doctor or physician before use. Electromagnetic fields in close proximity to heart pacemaker could cause pacemaker interference or pacemaker failure.

Contact American Sportworks Customer Service for questions or problems that may arise with the assembly and starting of this unit at 800-643-7332 or at amsportworks.com.



7625 DiSalle Boulevard
Fort Wayne IN 46825

62194 Commercial Street
Roseland, LA 70456

Toll Free 800-643-7332
Fax 800-399-1399
www.amsportworks.com