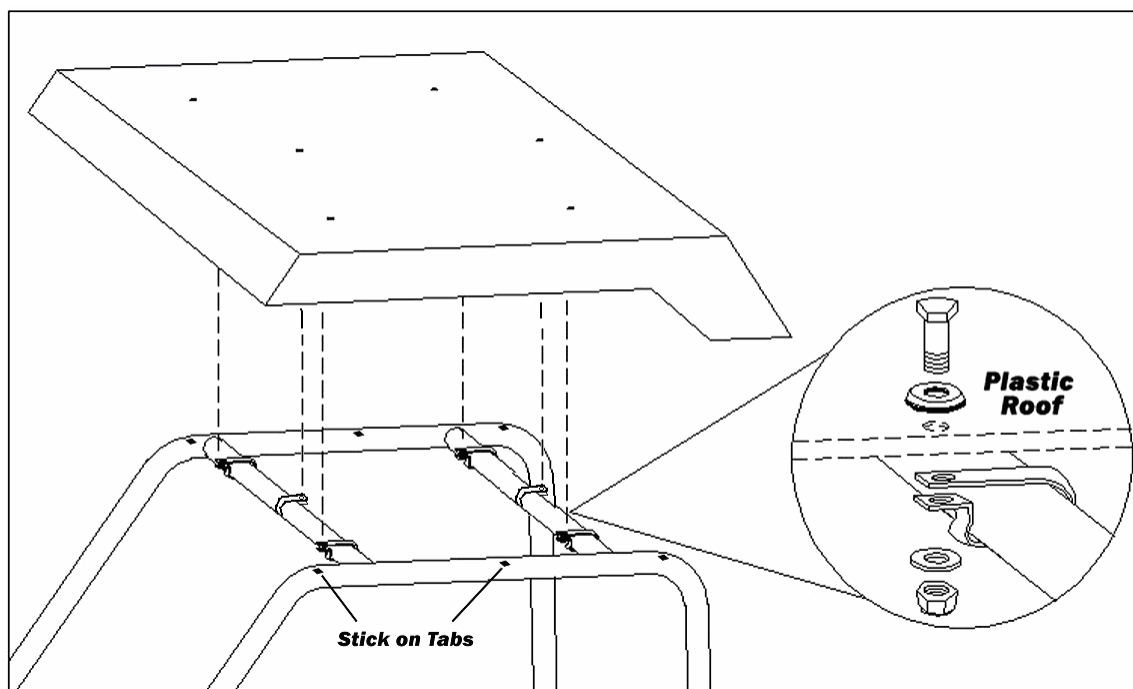




**Brister's Design &  
Manufacturing Co.**  
Toll Free PH: 1-866-646-5278  
Fax: 1-866-329-5278  
[www.bristers.com](http://www.bristers.com)

## ROOF INSTALLATION INSTRUCTIONS



### Hardware Included:

- (6)- 1/4" x 1 1/4" NC Hex head Bolts
- (6)- 1/4" Nylock Nuts
- (6)- 1/4" USS Flatwashers
- (6)- 1/4" Rubber Bonded Dome Washers
- (6)- 1 3/4" Coated Metal Bands
- (8)- Rubber Stick on Squares

### Tools Required:

- 7/16" Wrench
- 7/16" Socket & Ratchet

### INSTALLATION

Place all six metal straps around the tubing evenly spaced as shown above (If your roof has 4 holes see note below). Lay plastic roof on top of brushguard and line up holes with bands, insert bolts and washers as shown in the detail circle above. Slightly snug each fastener before going back and securely tightening all four. Place rubber stick on squares on top of tubing evenly spaced to quiet vibration.

**Note:** If your roof only has 4 holes, install the bands in the four existing locations then use the following directions to drill 2 center holes. Place a band on each tube about 1" away from the center rib of the roof. Hold the strap closed and mark the roof through the hole. Move the straps out of the way. Drill a 1/4" hole at the marks then install the straps with the fasteners. The center straps provide extra rigidity and vibration resistance.