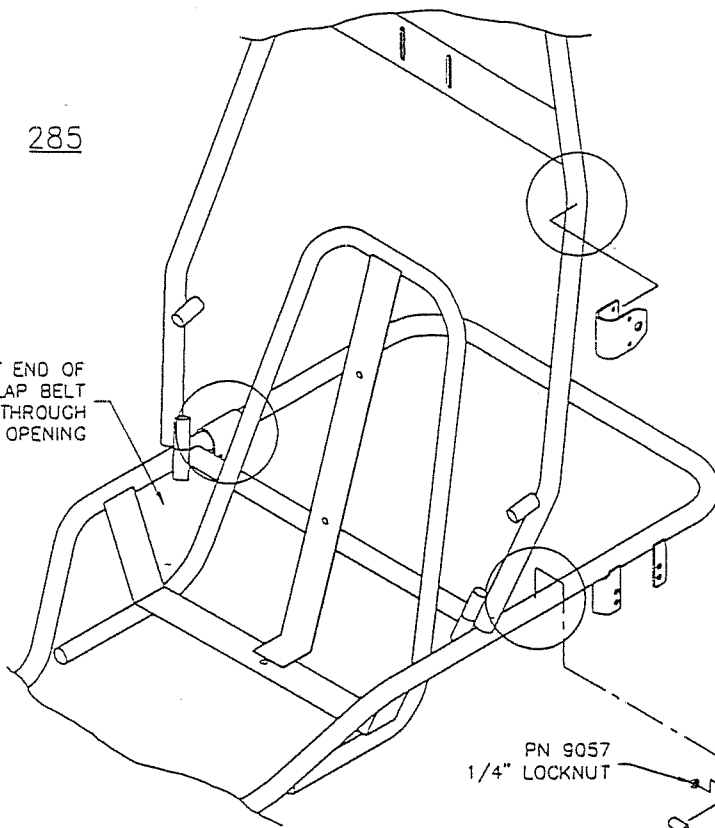
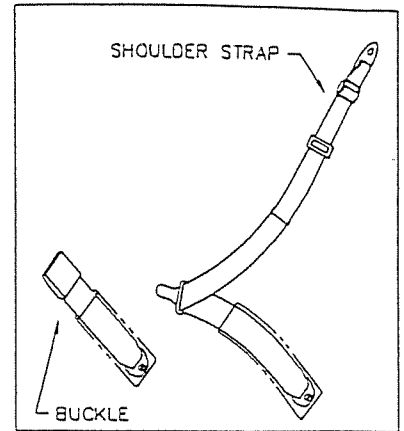


285

PUT END OF LAP BELT THROUGH THIS OPENING



PN 9057  
1/4" LOCKNUT

PN 8663  
SPACER

PN 1012  
1/2" LOCKNUT

PN 1849  
1/4" BOLT

SLIDE EYE OUT OF PLASTIC SLEEVE FOR MODEL 285

PN 9022  
1/2" WASHER

PN 9188  
1/2" BOLT

IT IS PREFERABLE TO PASS THE 1/2-INCH BOLT THROUGH THE HOLES IN BOTH THE PLASTIC SLEEVE AND THE METAL EYE ON END OF BELT. HOWEVER, IN SOME INSTALLATIONS, THE EYE MUST BE PULLED OUT OF THE PLASTIC SLEEVE BEFORE BOLTING IT TO THE MOUNTING BRACKET.

WHEN INSTALLING KIT ON A 2-SEAT KART, LOCATE BOTH BUCKLE PORTIONS OF BELT ON CENTER MOUNTING TAB. SLIDE EYE OUT OF PLASTIC SLEEVE SO IT MAY BE MOUNTED TO THE HORIZONTAL CROSS TUBE BEHIND SEAT. PUT BUCKLES BETWEEN SEAT BACK AND BOTTOM CUSHIONS. IT MAY BE REQUIRED TO CUT A SLIT IN FLAP CONNECTING THE BACK AND BOTTOM.

POSITION LAP BELT AND SHOULDER STRAP AS SHOWN IN INSET ABOVE. ENSURE THAT THERE ARE NO TWISTS OR KINKS IN THE BELT.

DO NOT OVERTIGHTEN BELT MOUNTING BOLTS. THE EYES ON ENDS OF BELT SHOULD BE ALLOWED TO ROTATE ON THE MOUNTING BRACKET.

485

